

- Bod-A7LN6-

INSTRUCTION BOOK
FOR
OPERATION and MAINTENANCE
OF
MEISSNER SIGNAL SHIFTER
(Standard and DeLuxe Models)

MANUFACTURED BY
MEISSNER MANUFACTURING COMPANY
MT. CARMEL, ILLINOIS



RESTRICTED

PUBLISHED BY AUTHORITY
OF
THE CHIEF SIGNAL OFFICER

ORDER No. _____

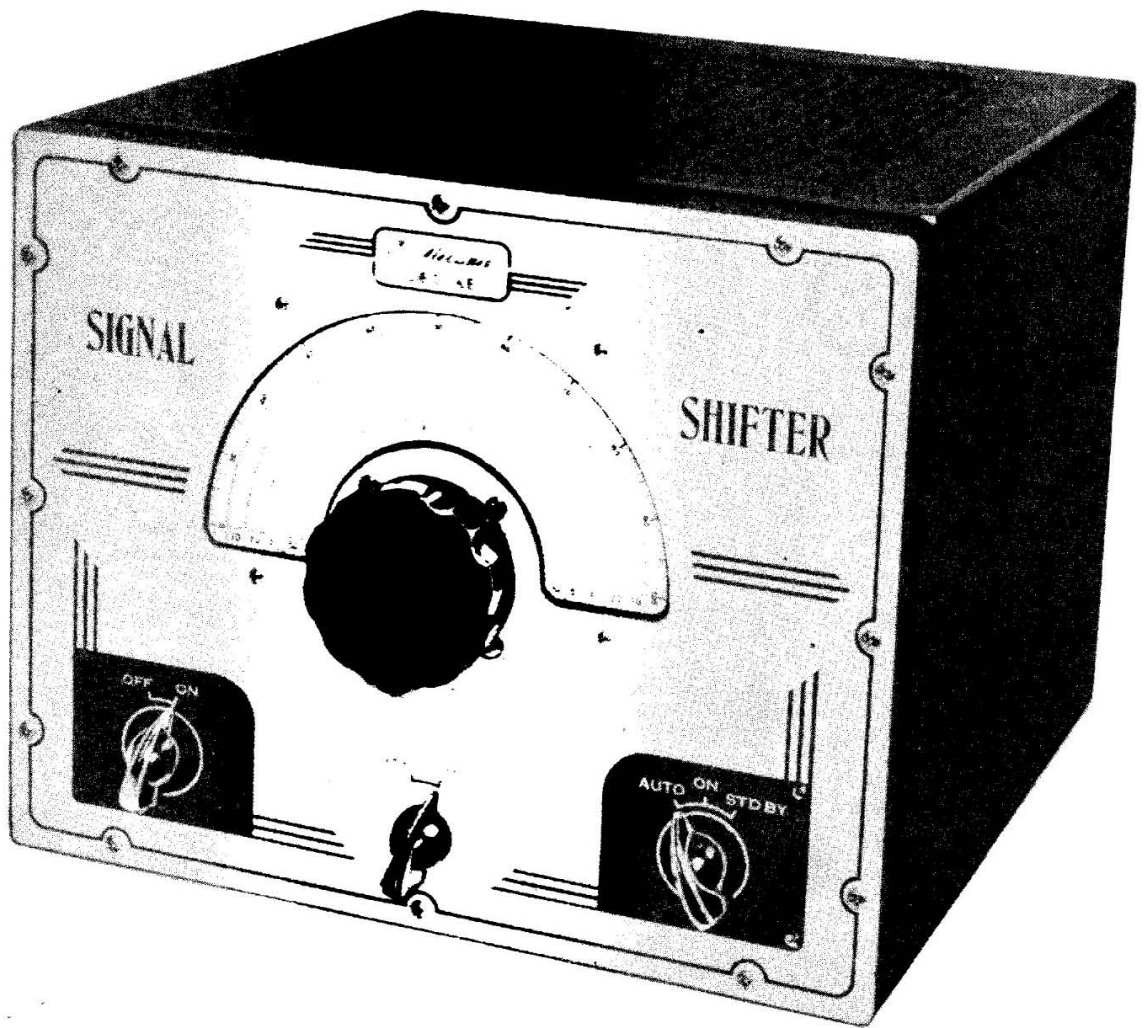


Figure 1 — SIGNAL SHIFTER (Deluxe Model (New))

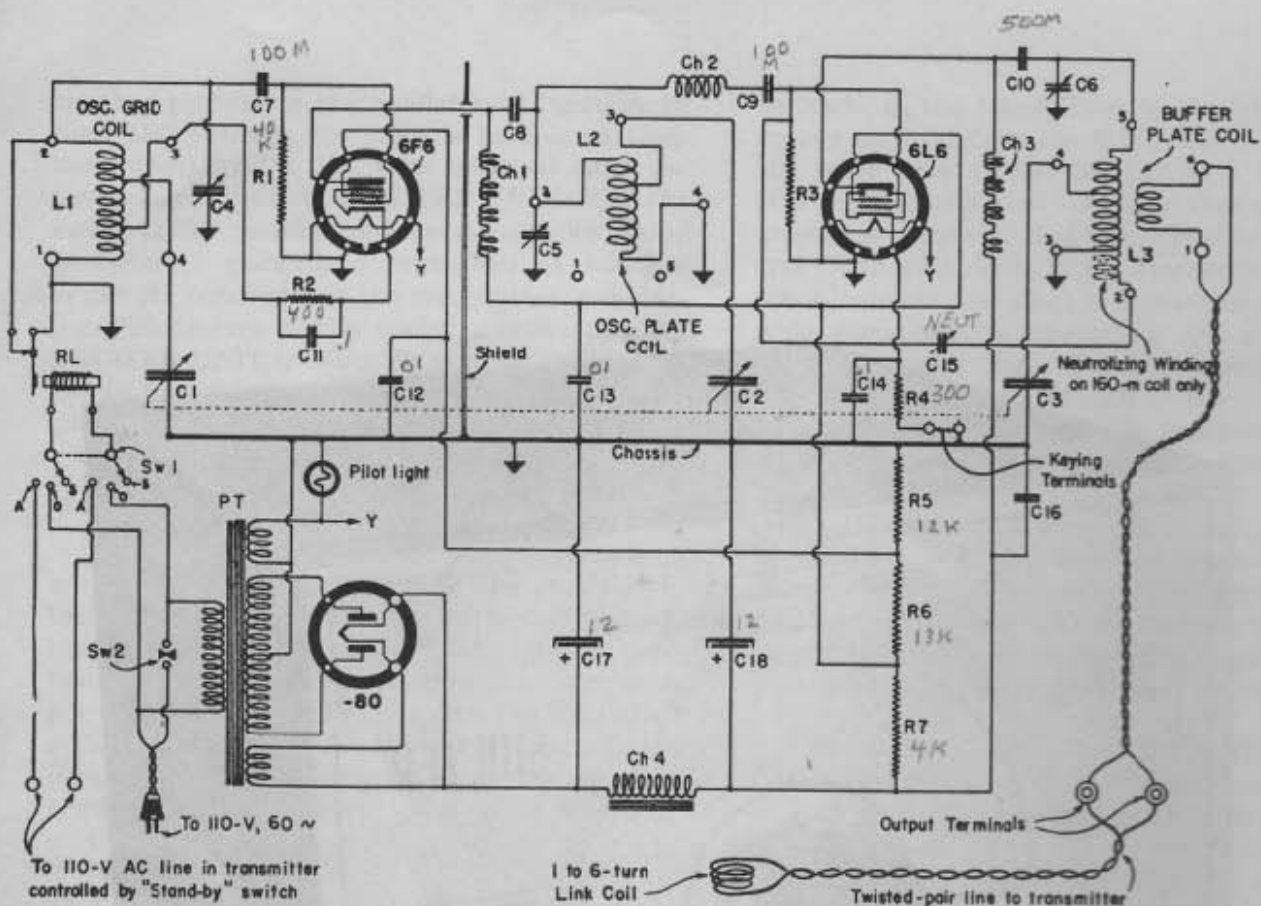


Figure 2 — STANDARD MODEL — CIRCUIT DIAGRAM

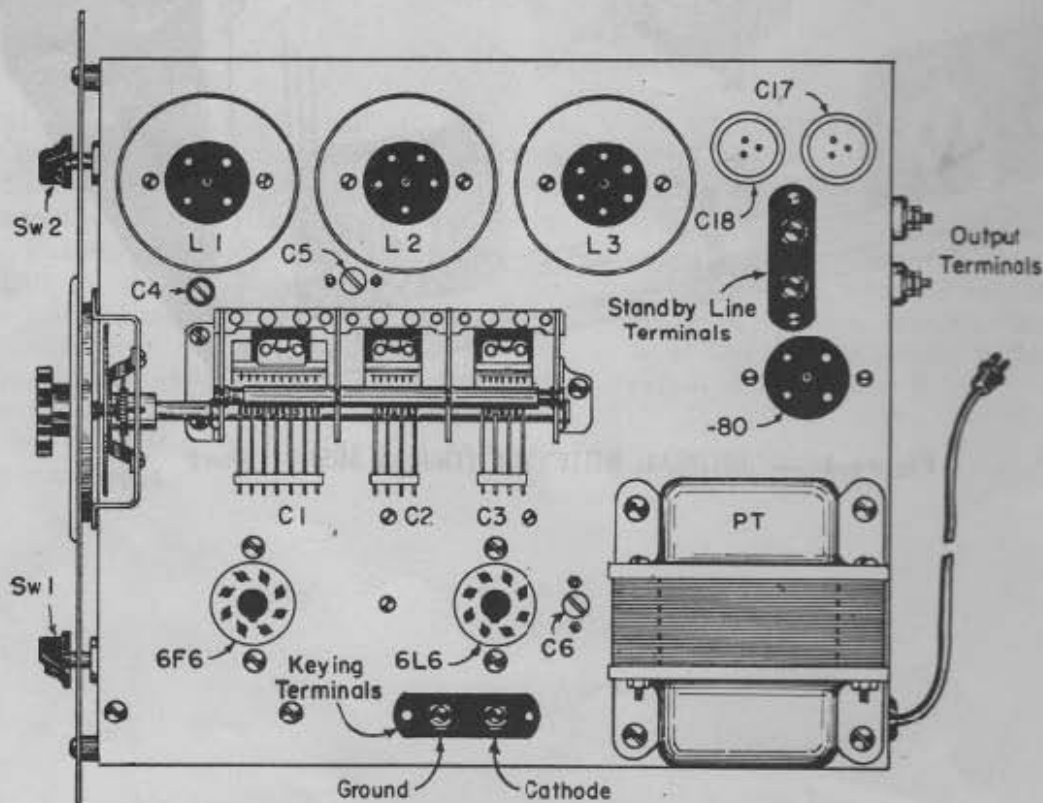


Figure 3 — STANDARD MODEL — TOP VIEW

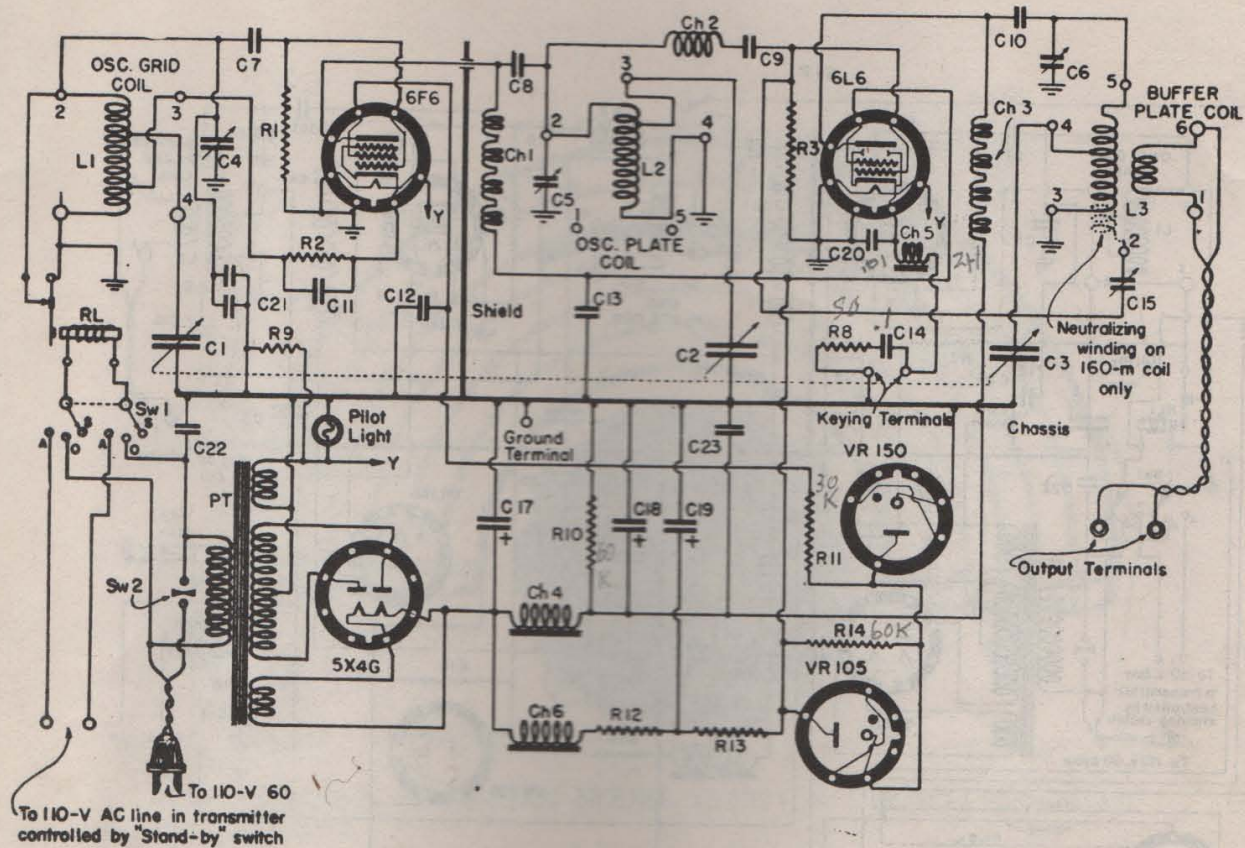


Figure 4 — DeLUXE MODEL (OLD) — CIRCUIT DIAGRAM

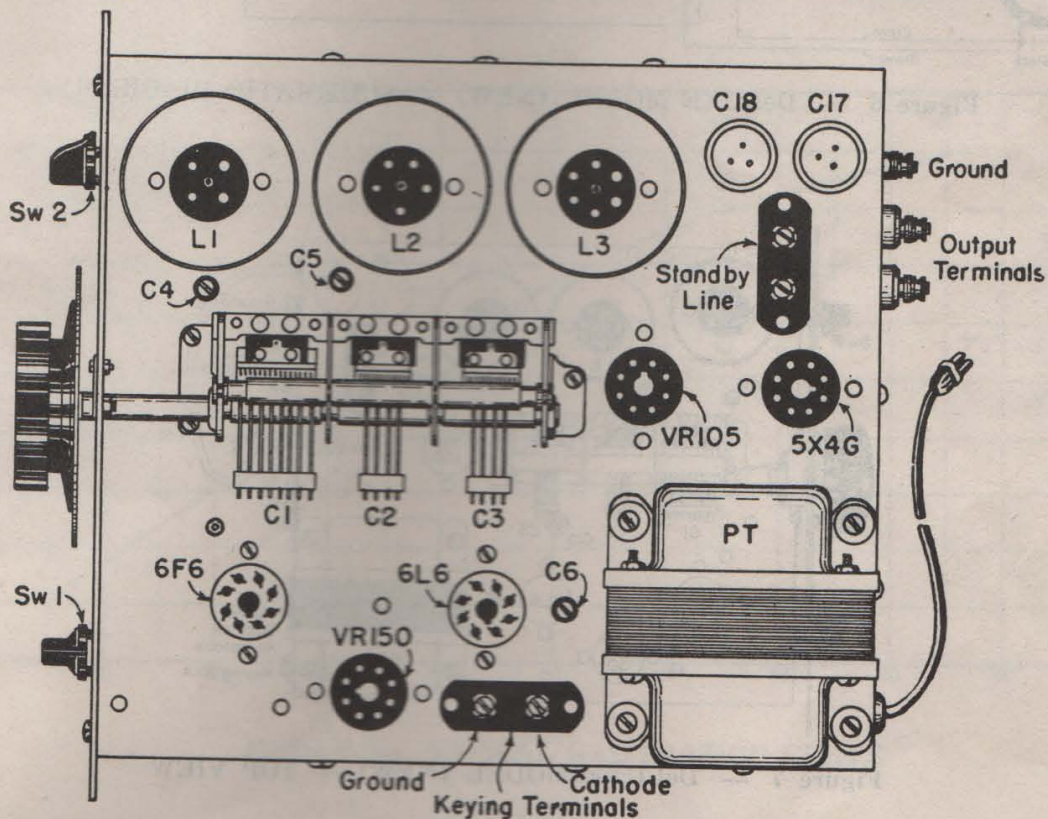


Figure 5 — DeLUXE MODEL (OLD) — TOP VIEW

IV. REPLACEABLE PARTS LIST

Circuit Designation	Description	Meissner Part No.
C1, C2, C3	3-gang Special Tuning Condenser	15176
C4	Oscillator Grid-Tank Condenser	15177
C5	Oscillator Plate-Tank Condenser	15240
C6	Buffer Plate-Tank Condenser	15260
C7, C9	100-mmfd. Mica Condenser	14101
C8, C10	500-mmfd. Mica Condenser	14100
C11, C14	0.1-mfd., 200-volt Paper Condenser	15142
C12, C13, C20	.01-mfd., 400-volt Paper Condenser	14110
C15	Align-Aire Neutralizing Condenser	6765
C16	0.1-mfd., 400-volt Paper Condenser	15143
C17, C18	12-mfd., 450-volt Electrolytic Condenser	15186
C19	8-mfd., 450-volt Electrolytic Condenser	16113
C22	.05-mfd., 400-volt Paper Condenser	14181
C23	0.1-mfd., 600-volt Paper Condenser	16166
R1	40,000-ohm, 1/2-watt Resistor	15155
R2	400-ohm, 1-watt Resistor	15184
R3	50,000-ohm, 1-watt Resistor	15183
R4	300-ohm, 2-watt Resistor	15182
R5	12,000-ohm, 3-watt Resistor	15179
R6	13,000-ohm, 5-watt Resistor	15180
R7	4,000-ohm, 5-watt Resistor	15181
R8	50-ohm, 1/4-watt Resistor	16143
R9, C21	Temperature Compensator	9910
R10	60,000-ohm, 5-watt Resistor	17165
R11	30,000-ohm, 1/2-watt Resistor	17168
R12	4,000-ohm, 10-watt Resistor	17166
R13	1,000-ohm, 5-watt Resistor	17167
R14	60,000-ohm, 1/2-watt Resistor	17154
CH1, CH3	4-pie RF Choke Coil	19-1996
CH2	Parasitic RF Choke Coil	8822
CH4	7-Henry Filter Choke	19251
CH5	2-Henry Filter Choke	19528
CH6	6-Henry Filter Choke	19341
PT	Power Transformer, 110-volt	19253
PT	Power Transformer, 220-volt	19428
RL	Automatic Stand-by Relay	19229
SW1	3-Position Selector Switch	19223
SW2	"On-Off" AC Line Switch	19475
2 Required	Ceramic Octal Tube Socket	8437
3 Required	Aluminum Coil Shield	17917
2 Required	Bakelite Bar Knob	25-8222
1 Required	Tuning Knob for Standard Models	25-8224