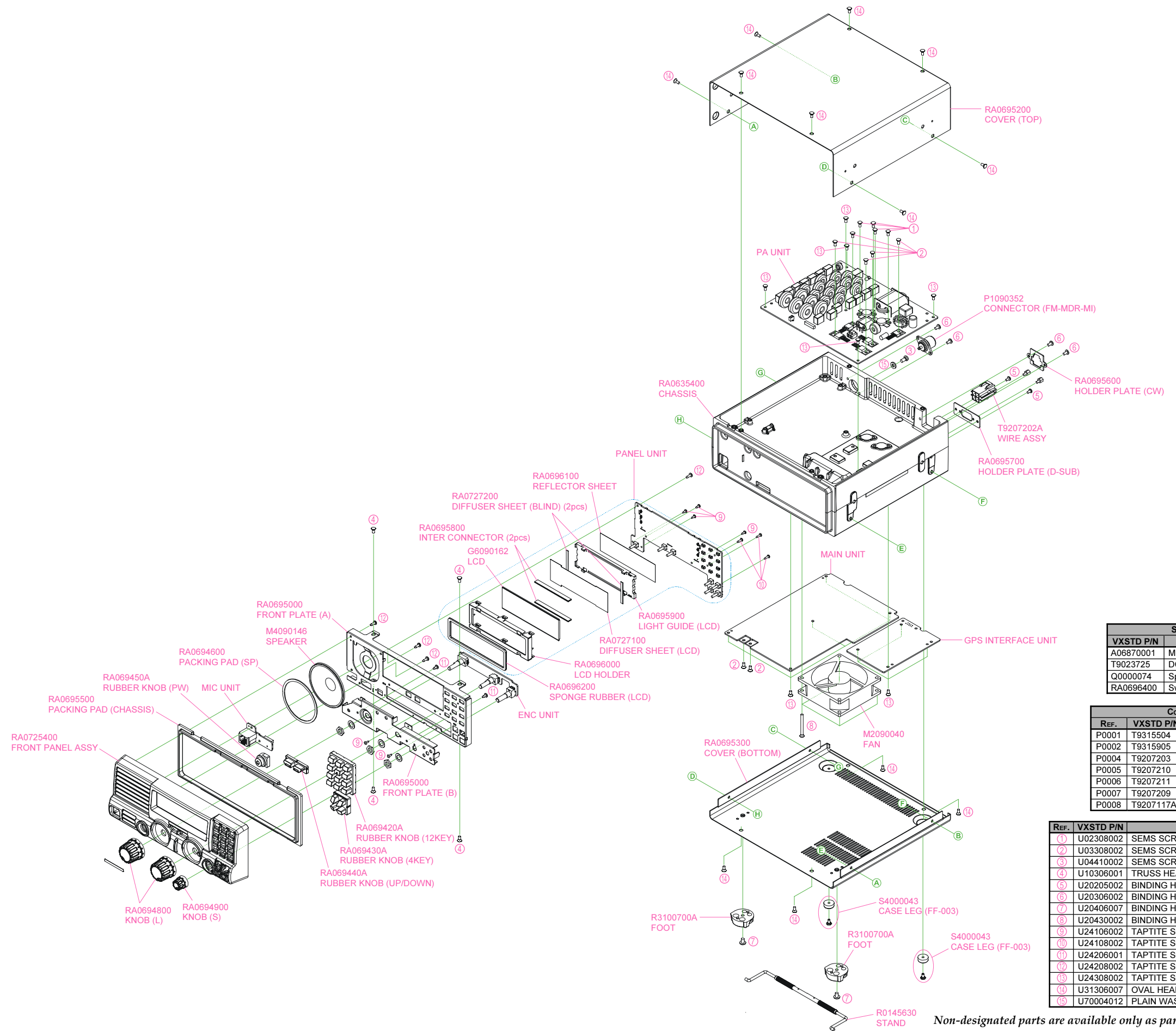


Exploded View & Miscellaneous Parts



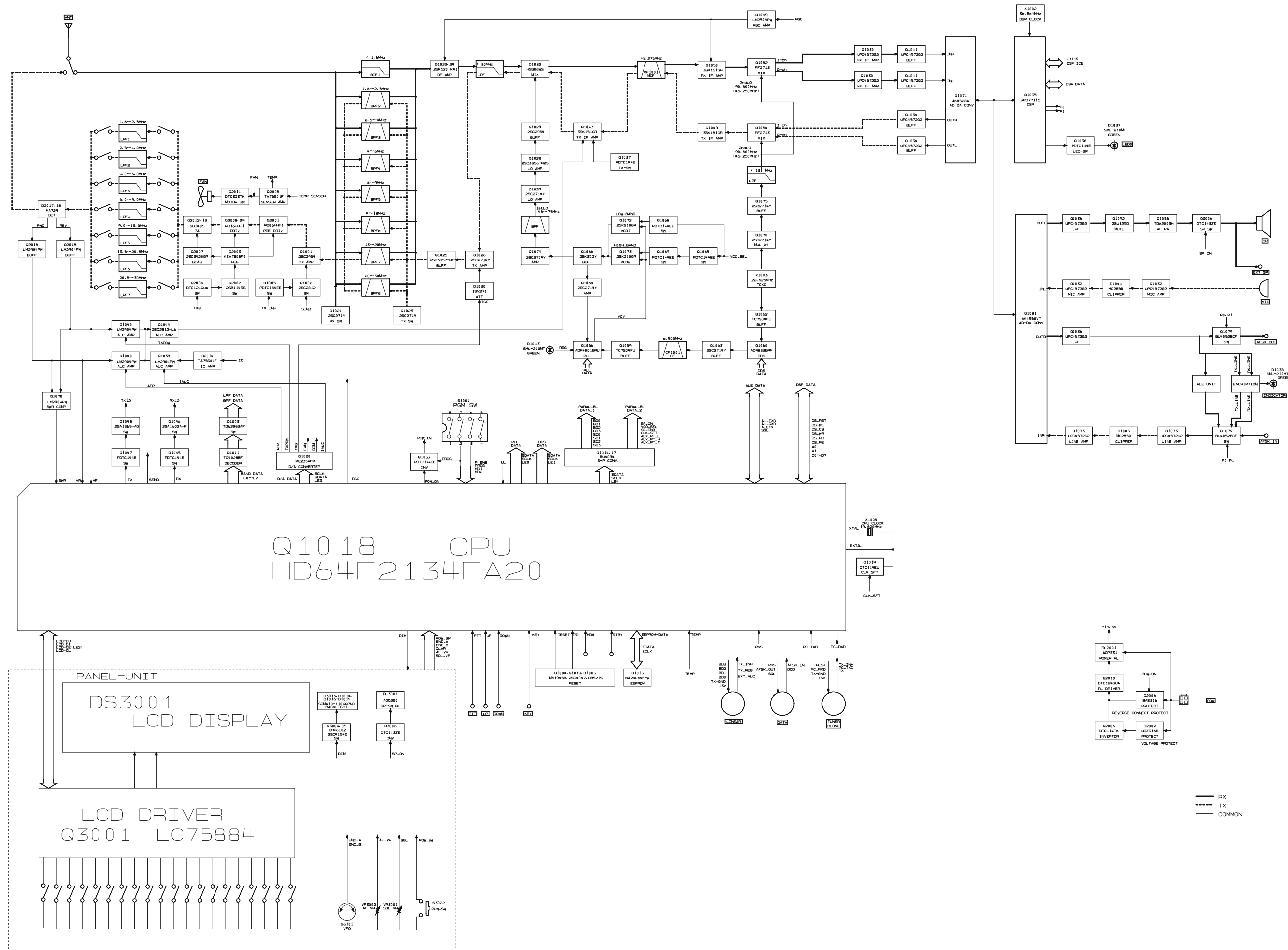
| SUPPLIED ACCESSORIES | | |
|----------------------|------------------------------|------|
| VXSTD P/N | DESCRIPTION | QTY. |
| A06870001 | MH-31A8J Hand Microphone | 1 |
| T9023725 | DC Power Cord | 1 |
| Q0000074 | Spare Fuse (25 A Blade Type) | 1 |
| RA0696400 | Switch Label Sheet | 1 |

| CONNECTION CABLES | | |
|-------------------|-----------|---------------------------------|
| REF. | VXSTD P/N | DESCRIPTION |
| P0001 | T9315504 | Coaxial Cable (J1001+J2006) |
| P0002 | T9315905 | Coaxial Cable (J1002+J2001) |
| P0004 | T9207203 | 30-pin Flat Cable (J1003+J2002) |
| P0005 | T9207210 | 13-pin Molex (J1008+J4001) |
| P0006 | T9207211 | 8-pin Molex (J1005+J6002) |
| P0007 | T9207209 | 8-pin Molex (J3004+J6101) |
| P0008 | T9207117A | 30-pin Flat Cable (J1004+J3001) |

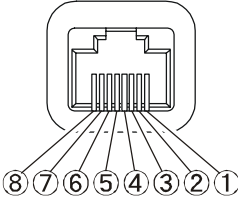
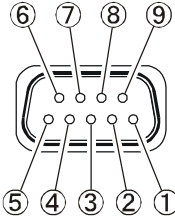
| REF. | VXSTD P/N | DESCRIPTION | QTY. |
|------|-----------|------------------------------|------|
| ① | U02308002 | SEMS SCREW SM3X8NI | 4 |
| ② | U03308002 | SEMS SCREW ASM3X8NI | 7 |
| ③ | U04410002 | SEMS SCREW HSM4X10NI | 1 |
| ④ | U10306001 | TRUSS HEAD SCREW M3X6 | 4 |
| ⑤ | U20205002 | BINDING HEAD SCREW M2.6X5NI | 2 |
| ⑥ | U20306002 | BINDING HEAD SCREW M3X6NI | 4 |
| ⑦ | U20406007 | BINDING HEAD SCREW M4X6B | 2 |
| ⑧ | U20430002 | BINDING HEAD SCREW M4X30(Ni) | 4 |
| ⑨ | U24106002 | TAPTITE SCREW M2X6NI | 6 |
| ⑩ | U24108002 | TAPTITE SCREW M2X8NI | 3 |
| ⑪ | U24206001 | TAPTITE SCREW M2.6X6 | 2 |
| ⑫ | U24208002 | TAPTITE SCREW M2.6X8NI | 4 |
| ⑬ | U24308002 | TAPTITE SCREW M3X8NI | 14 |
| ⑭ | U31306007 | OVAL HEAD SCREW M3X6B | 12 |
| ⑮ | U70004012 | PLAIN WASHER FW4BSNI | 1 |

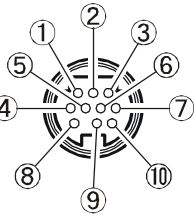
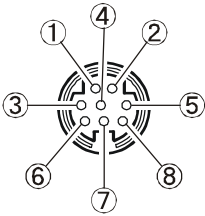
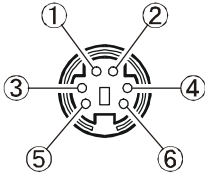
Non-designated parts are available only as part of a designated assembly.

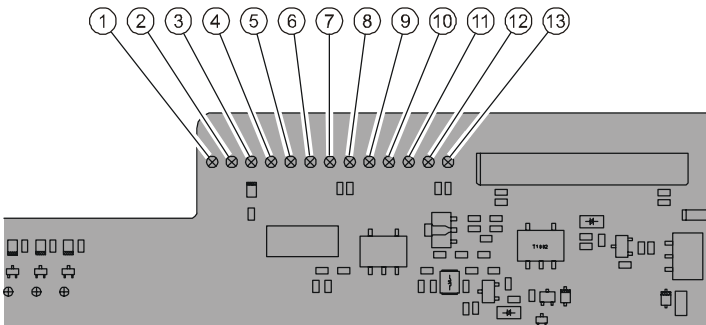
Block Diagram




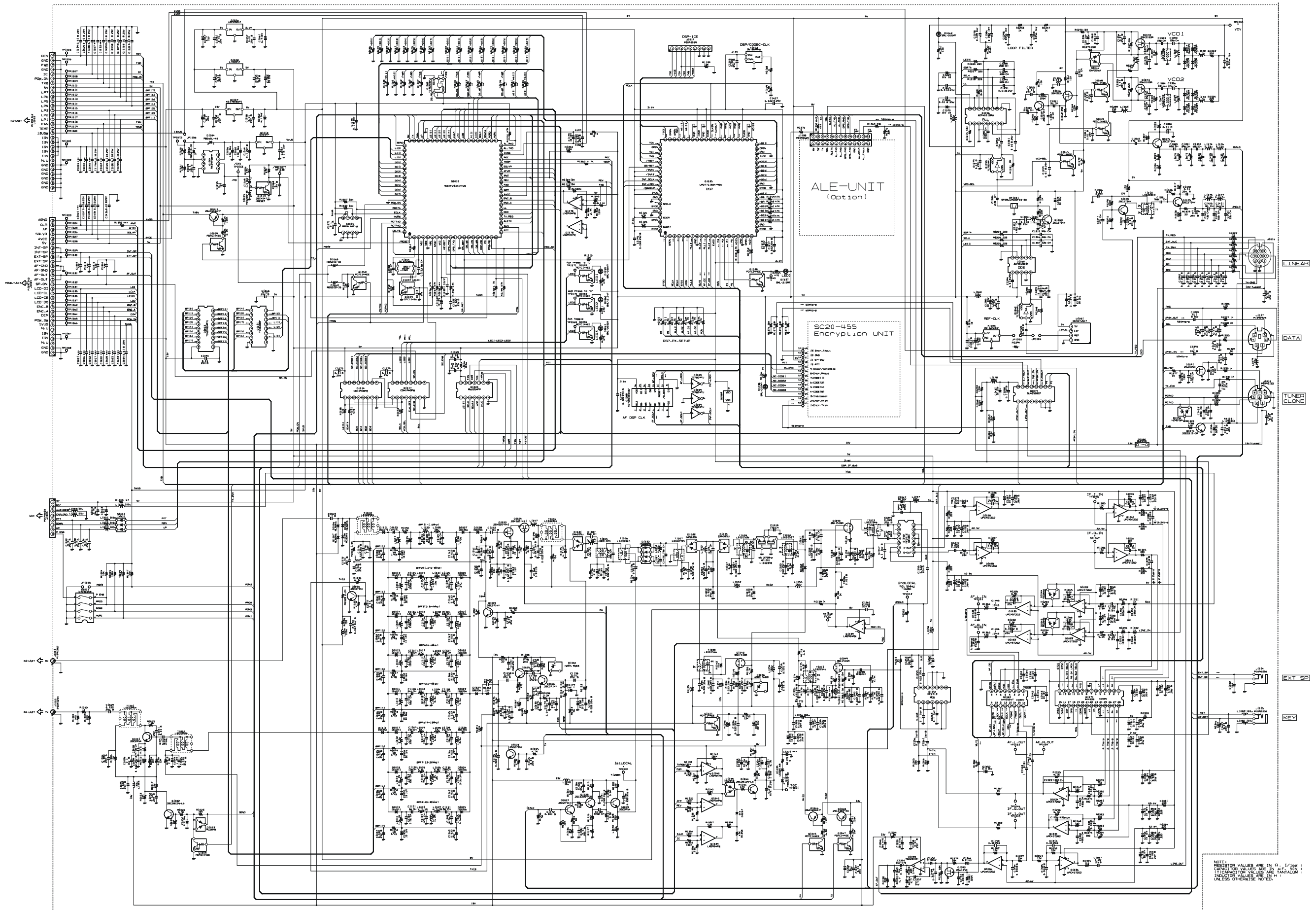
Connector Pinout Diagrams / Slide Switch Setting

| MIC Jack | GPS Jack | | | |
|--|---|---|------------|---|
| <p style="text-align: center;">(As Viewed From Front Panel)</p>  <ul style="list-style-type: none"> ① P ENB ② CNTL GND ③ PTT ④ MIC ⑤ MIC GND ⑥ + 5V ⑦ UP ⑧ DOWN | <p style="text-align: center;">(As Viewed From Rear Panel)</p>  <ul style="list-style-type: none"> ① Connected with ④, ⑥, ⑦, and ⑧. ② GPS Data Input (+) ③ N/C ④ Connected with ①, ⑥, ⑦, and ⑧. ⑤ GPS Data Input (-) ⑥ Connected with ①, ④, ⑦, and ⑧. ⑦ Connected with ①, ④, ⑥, and ⑧. ⑧ Connected with ①, ④, ⑥, and ⑦. ⑨ NC | | | |
| <table border="1" style="width: 100%; border-collapse: collapse;"> <tr> <td style="width: 50px;">Pin 3</td> <td>PTT</td> <td>Open Circuit Voltage: 5 V, Closed Circuit Current: 1 mA</td> </tr> </table> | | Pin 3 | PTT | Open Circuit Voltage: 5 V, Closed Circuit Current: 1 mA |
| Pin 3 | PTT | Open Circuit Voltage: 5 V, Closed Circuit Current: 1 mA | | |

| ACC Jack | TUNE Jack | DATA Jack | | | | | | | | | | | | | | | | | | | | | |
|---|---|---|---|--------------|---------------|---|---|--------------|----------------|--|--------------|---------------|--|--|--------------|----------------|-----------------|--------------|-----------------|-----------------|--------------|----------------|---------------------------------|
| <p style="text-align: center;">(As Viewed From Rear Panel)</p>  <ul style="list-style-type: none"> ① +13.8 V OUT ② TX GND ③ GND ④ BAND DATA A ⑤ BAND DATA B ⑥ BAND DATA C ⑦ BAND DATA D ⑧ TX-INH ⑨ EXT ALC Input ⑩ TX REQ | <p style="text-align: center;">(As Viewed From Rear Panel)</p>  <ul style="list-style-type: none"> ① +13.8 V OUT ② TX GND ③ GND ④ RX D ⑤ TX D ⑥ TUNER SENSE ⑦ RESET ⑧ TX-INH | <p style="text-align: center;">(As Viewed From Rear Panel)</p>  <ul style="list-style-type: none"> ① DATA IN ② GND ③ DATA PTT ④ DCD ⑤ DATA OUT ⑥ SQL OUT | | | | | | | | | | | | | | | | | | | | | |
| <table border="1" style="width: 100%; border-collapse: collapse;"> <tr> <td style="width: 50px;">Pin 1</td> <td>+13.8 V</td> <td>Max. 1 A This terminal is connected in parallel with the pin 1 of TUNE Jack.</td> </tr> <tr> <td>Pin 2</td> <td>TX GND</td> <td>Open Collector (Max. 60 V, 1A) This terminal is connected in parallel with the pin 2 of TUNE Jack.</td> </tr> </table> | Pin 1 | +13.8 V | Max. 1 A This terminal is connected in parallel with the pin 1 of TUNE Jack. | Pin 2 | TX GND | Open Collector (Max. 60 V, 1A) This terminal is connected in parallel with the pin 2 of TUNE Jack. | <table border="1" style="width: 100%; border-collapse: collapse;"> <tr> <td style="width: 50px;">Pin 1</td> <td>+13.8 V</td> <td>Max. 1 A This terminal is connected in parallel with the pin 1 of ACC Jack.</td> </tr> <tr> <td>Pin 2</td> <td>TX GND</td> <td>Open Collector (Max. 60 V, 1A) This terminal is connected in parallel with the pin 2 of ACC Jack.</td> </tr> </table> | Pin 1 | +13.8 V | Max. 1 A This terminal is connected in parallel with the pin 1 of ACC Jack. | Pin 2 | TX GND | Open Collector (Max. 60 V, 1A) This terminal is connected in parallel with the pin 2 of ACC Jack. | <table border="1" style="width: 100%; border-collapse: collapse;"> <tr> <td style="width: 50px;">Pin 1</td> <td>DATA IN</td> <td>60 mVp-p @1 kΩ.</td> </tr> <tr> <td>Pin 5</td> <td>DATA OUT</td> <td>500 mVp-p @1 kΩ</td> </tr> <tr> <td>Pin 6</td> <td>SQL OUT</td> <td>SQL OPEN: 5 V SQL CLOSE: 0 V</td> </tr> </table> | Pin 1 | DATA IN | 60 mVp-p @1 kΩ. | Pin 5 | DATA OUT | 500 mVp-p @1 kΩ | Pin 6 | SQL OUT | SQL OPEN: 5 V SQL CLOSE: 0 V |
| Pin 1 | +13.8 V | Max. 1 A This terminal is connected in parallel with the pin 1 of TUNE Jack. | | | | | | | | | | | | | | | | | | | | | |
| Pin 2 | TX GND | Open Collector (Max. 60 V, 1A) This terminal is connected in parallel with the pin 2 of TUNE Jack. | | | | | | | | | | | | | | | | | | | | | |
| Pin 1 | +13.8 V | Max. 1 A This terminal is connected in parallel with the pin 1 of ACC Jack. | | | | | | | | | | | | | | | | | | | | | |
| Pin 2 | TX GND | Open Collector (Max. 60 V, 1A) This terminal is connected in parallel with the pin 2 of ACC Jack. | | | | | | | | | | | | | | | | | | | | | |
| Pin 1 | DATA IN | 60 mVp-p @1 kΩ. | | | | | | | | | | | | | | | | | | | | | |
| Pin 5 | DATA OUT | 500 mVp-p @1 kΩ | | | | | | | | | | | | | | | | | | | | | |
| Pin 6 | SQL OUT | SQL OPEN: 5 V SQL CLOSE: 0 V | | | | | | | | | | | | | | | | | | | | | |

| Accessory Port (Located on the MAIN Unit) | |
|---|--|
|  | <ul style="list-style-type: none"> ① ENCR_TXIN ② ENCR_RXIN ③ INDICATOR ④ CODE (8) ⑤ CODE (4) ⑥ CODE (2) ⑦ CODE (1) ⑧ ENCR_RXOUT ⑨ CLEAR/SCRAMBLE ⑩ PTT ⑪ VCC ⑫ GND ⑬ ENCR_TXOUT |

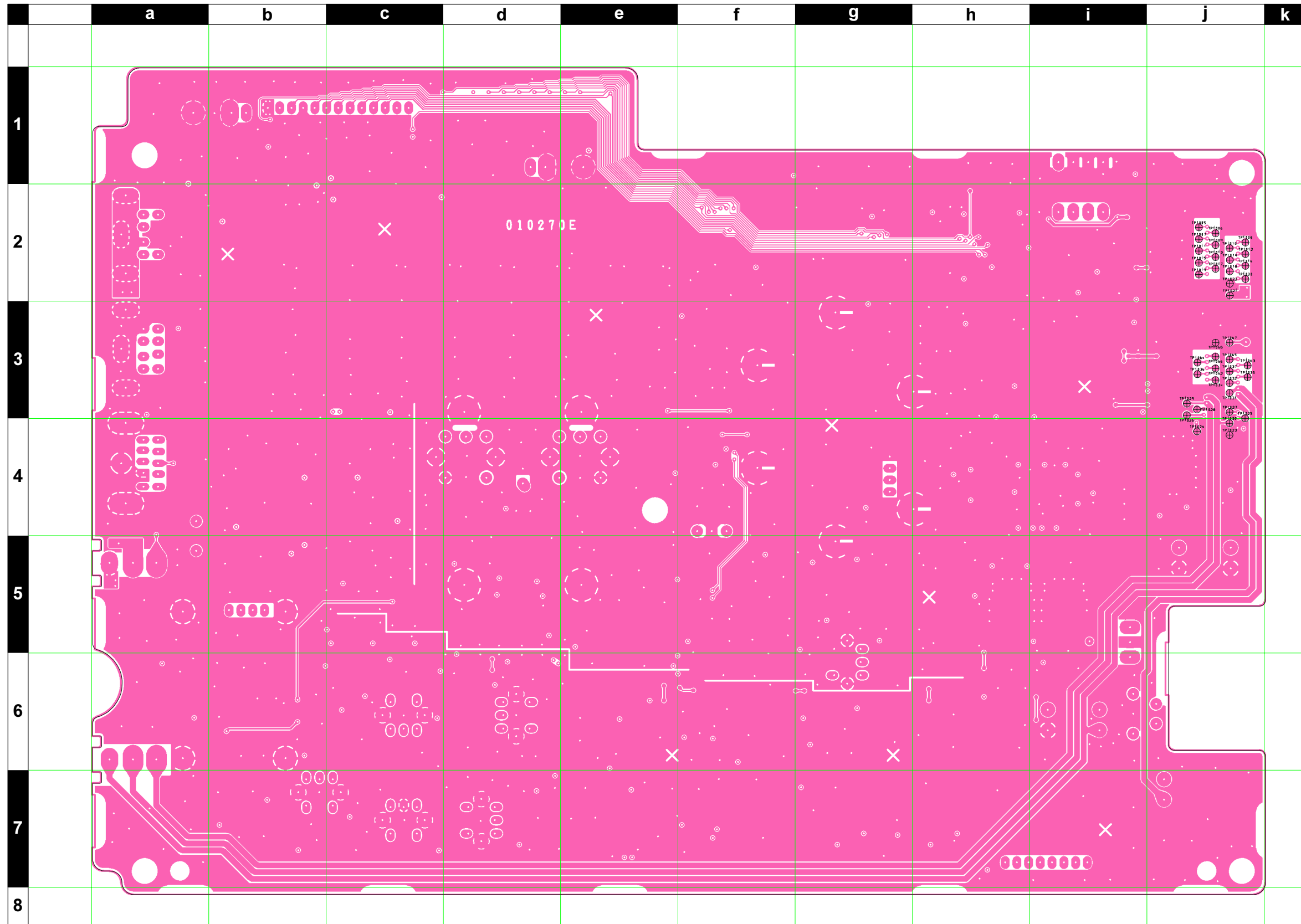
| Slide Switch (Located on the MAIN Unit) | | | | | | | | | | | | | | |
|---|---|--|-------------------------------|--|-----------------|---------------------------|--|-----------------|-----|--|-----------------|-----|--|--|
|  | <table border="1" style="width: 100%; border-collapse: collapse;"> <tr> <td style="width: 100px;">Switch 1</td> <td>Memory Channel Storage</td> <td>ON: Disables the Memory Channel Storage from the transceiver. OFF: Enables the Memory Channel Storage from the transceiver.</td> </tr> <tr> <td>Switch 2</td> <td>ITU Memory Channel</td> <td>ON: Enables the ITU Memory Channel Operation. OFF: Disables the ITU Memory Channel Operation.</td> </tr> <tr> <td>Switch 3</td> <td>---</td> <td>This switch should always be set to "OFF."</td> </tr> <tr> <td>Switch 4</td> <td>---</td> <td>This switch should always be set to "OFF."</td> </tr> </table> | Switch 1 | Memory Channel Storage | ON: Disables the Memory Channel Storage from the transceiver. OFF: Enables the Memory Channel Storage from the transceiver. | Switch 2 | ITU Memory Channel | ON: Enables the ITU Memory Channel Operation. OFF: Disables the ITU Memory Channel Operation. | Switch 3 | --- | This switch should always be set to "OFF." | Switch 4 | --- | This switch should always be set to "OFF." | |
| Switch 1 | Memory Channel Storage | ON: Disables the Memory Channel Storage from the transceiver. OFF: Enables the Memory Channel Storage from the transceiver. | | | | | | | | | | | | |
| Switch 2 | ITU Memory Channel | ON: Enables the ITU Memory Channel Operation. OFF: Disables the ITU Memory Channel Operation. | | | | | | | | | | | | |
| Switch 3 | --- | This switch should always be set to "OFF." | | | | | | | | | | | | |
| Switch 4 | --- | This switch should always be set to "OFF." | | | | | | | | | | | | |



NOTE:
RESISTOR VALUES ARE IN Ω, k, M, G.
CAPACITOR VALUES ARE IN p, n, μ, M.
TYPICAL VALUES ARE IN TANTALUM.
INDUCTOR VALUES ARE IN μH.
UNLESS OTHERWISE NOTED.

MAIN Unit

Parts Layout (Side B)



| REF. | DESCRIPTION | VALUE | V/W | TOL. | MFR'S DESIG | VXSTD P/N | VERS. | LOT. | SIDE | LAY ADR |
|-----------------------|-----------------|---------|-----|------|--------------------|-----------|-------|------|------|---------|
| PCB with Components | | | | | | CB2421001 | | | | |
| Printed Circuit Board | | | | | AC051H000 | FR010270E | | 1- | | |
| C 1002 | CHIP CAP. | 0.01uF | 25V | B | GRM39B103K25PT | K22144803 | | 1- | A | B7 |
| C 1003 | CHIP CAP. | 0.01uF | 25V | B | GRM39B103K25PT | K22144803 | | 1- | A | A2 |
| C 1008 | CHIP CAP. | 0.01uF | 25V | B | GRM39B103K25PT | K22144803 | | 1- | A | B7 |
| C 1009 | CHIP CAP. | 0.01uF | 25V | B | GRM39B103K25PT | K22144803 | | 1- | A | A2 |
| C 1014 | CHIP CAP. | 0.01uF | 25V | B | GRM39B103K25PT | K22144803 | | 1- | A | B7 |
| C 1015 | CHIP CAP. | 0.01uF | 25V | B | GRM39B103K25PT | K22144803 | | 1- | A | A2 |
| C 1018 | CHIP CAP. | 0.01uF | 25V | B | GRM39B103K25PT | K22144803 | | 1- | A | C7 |
| C 1019 | CHIP CAP. | 0.01uF | 25V | B | GRM39B103K25PT | K22144803 | | 1- | A | A2 |
| C 1020 | CHIP CAP. | 0.01uF | 25V | B | GRM39B103K25PT | K22144803 | | 1- | A | A2 |
| C 1024 | CHIP CAP. | 0.022uF | 25V | B | GRM39B223K25PT | K22144807 | | 1- | A | G2 |
| C 1025 | CHIP CAP. | 0.01uF | 25V | B | GRM39B103K25PT | K22144803 | | 1- | A | A2 |
| C 1026 | CHIP CAP. | 0.01uF | 25V | B | GRM39B103K25PT | K22144803 | | 1- | A | A2 |
| C 1027 | CHIP CAP. | 0.01uF | 25V | B | GRM39B103K25PT | K22144803 | | 1- | A | A3 |
| C 1029 | CHIP CAP. | 0.022uF | 25V | B | GRM39B223K25PT | K22144807 | | 1- | A | G2 |
| C 1030 | CHIP CAP. | 0.01uF | 25V | B | GRM39B103K25PT | K22144803 | | 1- | A | A2 |
| C 1032 | CHIP CAP. | 0.01uF | 25V | B | GRM39B103K25PT | K22144803 | | 1- | A | A2 |
| C 1034 | CHIP CAP. | 0.01uF | 25V | B | GRM39B103K25PT | K22144803 | | 1- | A | A3 |
| C 1035 | CHIP CAP. | 0.022uF | 25V | B | GRM39B223K25PT | K22144807 | | 1- | A | G2 |
| C 1036 | CHIP CAP. | 0.1uF | 16V | B | GRM188B11C104KA01D | K22124805 | | 1- | A | H1 |
| C 1038 | CHIP CAP. | 470pF | 50V | CH | GRM1882C1H471JA01D | K22174249 | | 1- | A | H1 |
| C 1039 | CHIP CAP. | 0.022uF | 25V | B | GRM39B223K25PT | K22144807 | | 1- | A | H1 |
| C 1041 | CHIP CAP. | 0.01uF | 25V | B | GRM39B103K25PT | K22144803 | | 1- | A | H1 |
| C 1042 | CHIP CAP. | 0.022uF | 25V | B | GRM39B223K25PT | K22144807 | | 1- | A | H2 |
| C 1043 | CHIP CAP. | 0.022uF | 25V | B | GRM39B223K25PT | K22144807 | | 1- | A | H1 |
| C 1044 | CHIP TA.CAP. | 1uF | 16V | | TESVA1C105M1-8R | K78120009 | | 1- | A | H1 |
| C 1045 | CHIP CAP. | 0.022uF | 25V | B | GRM39B223K25PT | K22144807 | | 1- | A | H1 |
| C 1047 | CHIP TA.CAP. | 4.7uF | 16V | | TEMSVA1C475M-8R | K78120031 | | 1- | A | C6 |
| C 1048 | CHIP TA.CAP. | 4.7uF | 25V | | TEMSVB21E475M-8R | K78140019 | | 1- | A | B6 |
| C 1049 | CHIP CAP. | 0.1uF | 25V | B | GRM40B104M25PT | K22140811 | | 1- | A | A4 |
| C 1050 | CHIP TA.CAP. | 2.2uF | 16V | | TEMSVA1C225M-8R | K78120015 | | 1- | A | H2 |
| C 1051 | CHIP CAP. | 0.01uF | 25V | B | GRM39B103K25PT | K22144803 | | 1- | A | C5 |
| C 1052 | CHIP CAP. | 0.01uF | 25V | B | GRM39B103K25PT | K22144803 | | 1- | A | B5 |
| C 1053 | CHIP CAP. | 0.01uF | 25V | B | GRM39B103K25PT | K22144803 | | 1- | A | B5 |
| C 1054 | CHIP CAP. | 0.01uF | 25V | B | GRM39B103K25PT | K22144803 | | 1- | A | B1 |
| C 1055 | CHIP CAP. | 0.1uF | 16V | B | GRM188B11C104KA01D | K22124805 | | 1- | A | A4 |
| C 1056 | AL.ELECTRO.CAP. | 470uF | 16V | | RE3-16V471M 470UF | K40129066 | | 1- | A | A5 |
| C 1057 | CHIP CAP. | 0.01uF | 25V | B | GRM39B103K25PT | K22144803 | | 1- | A | C5 |
| C 1058 | CHIP CAP. | 0.01uF | 25V | B | GRM39B103K25PT | K22144803 | | 1- | A | B5 |
| C 1059 | CHIP CAP. | 0.047uF | 16V | B | GRM39B473K16PT | K22124804 | | 1- | A | B5 |
| C 1060 | AL.ELECTRO.CAP. | 470uF | 16V | | RE3-16V471M 470UF | K40129066 | | 1- | A | A5 |
| C 1061 | CHIP TA.CAP. | 4.7uF | 16V | | TEMSVA1C475M-8R | K78120031 | | 1- | A | C6 |
| C 1062 | CHIP TA.CAP. | 4.7uF | 16V | | TEMSVA1C475M-8R | K78120031 | | 1- | A | B5 |
| C 1063 | CHIP TA.CAP. | 10uF | 10V | | TEMSVA1A106M-8R | K78100028 | | 1- | A | B6 |
| C 1064 | CHIP CAP. | 0.1uF | 25V | B | GRM40B104M25PT | K22140811 | | 1- | A | A4 |
| C 1065 | CHIP TA.CAP. | 1.5uF | 16V | | TESVA1C155M1-8R | K78120020 | | 1- | A | A4 |
| C 1066 | CHIP CAP. | 0.01uF | 25V | B | GRM39B103K25PT | K22144803 | | 1- | A | B2 |
| C 1067 | CHIP CAP. | 0.1uF | 16V | B | GRM188B11C104KA01D | K22124805 | | 1- | A | A4 |
| C 1068 | CHIP CAP. | 0.1uF | 16V | B | GRM188B11C104KA01D | K22124805 | | 1- | A | A4 |
| C 1069 | CHIP CAP. | 0.1uF | 50V | B | GRM42-6B104K50PT | K22171820 | | 1- | A | I1 |
| C 1070 | CHIP CAP. | 0.01uF | 25V | B | GRM39B103K25PT | K22144803 | | 1- | A | E2 |
| C 1071 | CHIP CAP. | 0.1uF | 16V | B | GRM188B11C104KA01D | K22124805 | | 1- | A | C3 |
| C 1072 | CHIP CAP. | 0.01uF | 25V | B | GRM39B103K25PT | K22144803 | | 1- | A | I1 |
| C 1073 | CHIP CAP. | 0.047uF | 16V | B | GRM39B473K16PT | K22124804 | | 1- | A | J1 |
| C 1074 | CHIP CAP. | 0.022uF | 25V | B | GRM39B223K25PT | K22144807 | | 1- | A | I2 |
| C 1075 | CHIP CAP. | 0.1uF | 16V | B | GRM188B11C104KA01D | K22124805 | | 1- | A | B2 |
| C 1076 | CHIP CAP. | 0.022uF | 25V | B | GRM39B223K25PT | K22144807 | | 1- | A | I2 |
| C 1077 | CHIP CAP. | 0.01uF | 25V | B | GRM39B103K25PT | K22144803 | | 1- | A | I2 |

MAIN Unit

Parts List

| REF. | DESCRIPTION | VALUE | V/W | TOL. | MFR'S DESIG | VXSTD P/N | VERS. | LOT. | SIDE | LAY ADR |
|--------|--------------|---------|-----|------|--------------------|-----------|-------|------|------|---------|
| C 1078 | CHIP TA.CAP. | 1uF | 16V | | TESVA1C105M1-8R | K78120009 | | 1- | A | I2 |
| C 1079 | CHIP CAP. | 0.01uF | 25V | B | GRM39B103K25PT | K22144803 | | 1- | A | E2 |
| C 1080 | CHIP CAP. | 0.022uF | 25V | B | GRM39B223K25PT | K22144807 | | 1- | A | F2 |
| C 1081 | CHIP CAP. | 0.022uF | 25V | B | GRM39B223K25PT | K22144807 | | 1- | A | F2 |
| C 1082 | CHIP CAP. | 0.022uF | 25V | B | GRM39B223K25PT | K22144807 | | 1- | A | G2 |
| C 1083 | CHIP CAP. | 0.022uF | 25V | B | GRM39B223K25PT | K22144807 | | 1- | A | G2 |
| C 1084 | CHIP CAP. | 0.022uF | 25V | B | GRM39B223K25PT | K22144807 | | 1- | A | G2 |
| C 1085 | CHIP CAP. | 0.022uF | 25V | B | GRM39B223K25PT | K22144807 | | 1- | A | H2 |
| C 1086 | CHIP CAP. | 0.022uF | 25V | B | GRM39B223K25PT | K22144807 | | 1- | A | H2 |
| C 1087 | CHIP CAP. | 0.022uF | 25V | B | GRM39B223K25PT | K22144807 | | 1- | A | I2 |
| C 1088 | CHIP CAP. | 27pF | 50V | CH | GRM1882C1H270JA01D | K22174221 | | 1- | A | C3 |
| C 1088 | CHIP CAP. | 10pF | 50V | CH | GRM1882C1H100JA01D | K22174211 | | 3- | A | C3 |
| C 1089 | CHIP TA.CAP. | 10uF | 16V | | TEMSVB21C106M-8R | K78120025 | | 1- | A | F3 |
| C 1090 | CHIP TA.CAP. | 10uF | 16V | | TEMSVB21C106M-8R | K78120025 | | 1- | A | F3 |
| C 1091 | CHIP TA.CAP. | 10uF | 16V | | TEMSVB21C106M-8R | K78120025 | | 1- | A | G3 |
| C 1092 | CHIP TA.CAP. | 10uF | 16V | | TEMSVB21C106M-8R | K78120025 | | 1- | A | G3 |
| C 1093 | CHIP TA.CAP. | 10uF | 16V | | TEMSVB21C106M-8R | K78120025 | | 1- | A | H3 |
| C 1094 | CHIP TA.CAP. | 10uF | 16V | | TEMSVB21C106M-8R | K78120025 | | 1- | A | H3 |
| C 1095 | CHIP TA.CAP. | 10uF | 16V | | TEMSVB21C106M-8R | K78120025 | | 1- | A | H3 |
| C 1096 | CHIP TA.CAP. | 10uF | 16V | | TEMSVB21C106M-8R | K78120025 | | 1- | A | I3 |
| C 1097 | CHIP CAP. | 47pF | 50V | CH | GRM1882C1H470JA01D | K22174227 | | 1- | A | C3 |
| C 1097 | CHIP CAP. | 12pF | 50V | CH | GRM1882C1H120JA01D | K22174213 | | 3- | A | C3 |
| C 1098 | CHIP CAP. | 220pF | 50V | CH | GRM1882C1H221JA01D | K22174243 | | 1- | A | F2 |
| C 1099 | CHIP CAP. | 150pF | 50V | CH | GRM1882C1H151JA01D | K22174239 | | 1- | A | G2 |
| C 1100 | CHIP CAP. | 120pF | 50V | CH | GRM1882C1H121JA01D | K22174237 | | 1- | A | G2 |
| C 1101 | CHIP CAP. | 56pF | 50V | CH | GRM1882C1H560JA01D | K22174229 | | 1- | A | H2 |
| C 1102 | CHIP CAP. | 22pF | 50V | CH | GRM1882C1H220JA01D | K22174219 | | 1- | A | H2 |
| C 1103 | CHIP CAP. | 12pF | 50V | CH | GRM1882C1H120JA01D | K22174213 | | 1- | A | I2 |
| C 1104 | CHIP CAP. | 0.5pF | 50V | CK | GRM1884C1HR50CZ01D | K22174201 | | 1- | A | I2 |
| C 1105 | CHIP CAP. | 100pF | 50V | CH | GRM1882C1H101JA01D | K22174235 | | 1- | A | F2 |
| C 1106 | CHIP CAP. | 68pF | 50V | CH | GRM1882C1H680JA01D | K22174231 | | 1- | A | G2 |
| C 1107 | CHIP CAP. | 47pF | 50V | CH | GRM1882C1H470JA01D | K22174227 | | 1- | A | G2 |
| C 1108 | CHIP CAP. | 24pF | 50V | CH | GRM1882C1H240JZ01D | K22174220 | | 1- | A | H2 |
| C 1109 | CHIP CAP. | 15pF | 50V | CH | GRM1882C1H150JA01D | K22174215 | | 1- | A | H2 |
| C 1110 | CHIP CAP. | 12pF | 50V | CH | GRM1882C1H120JA01D | K22174213 | | 1- | A | I2 |
| C 1111 | CHIP CAP. | 8pF | 50V | CH | GRM1882C1H8R0DZ01D | K22174209 | | 1- | A | I2 |
| C 1112 | CHIP CAP. | 10pF | 50V | CH | GRM1882C1H100JA01D | K22174211 | | 1- | A | C3 |
| C 1112 | CHIP CAP. | 8pF | 50V | CH | GRM1882C1H8R0DZ01D | K22174209 | | 3- | A | C3 |
| C 1114 | CHIP CAP. | 200pF | 50V | CH | GRM1882C1H201JA01D | K22174242 | | 1- | A | F3 |
| C 1115 | CHIP CAP. | 470pF | 50V | CH | GRM1882C1H471JA01D | K22174249 | | 1- | A | F3 |
| C 1116 | CHIP CAP. | 330pF | 50V | CH | GRM1882C1H331JA01D | K22174253 | | 1- | A | G3 |
| C 1117 | CHIP CAP. | 220pF | 50V | CH | GRM1882C1H221JA01D | K22174243 | | 1- | A | G3 |
| C 1118 | CHIP CAP. | 150pF | 50V | CH | GRM1882C1H151JA01D | K22174239 | | 1- | A | H3 |
| C 1119 | CHIP CAP. | 120pF | 50V | CH | GRM1882C1H121JA01D | K22174237 | | 1- | A | H3 |
| C 1120 | CHIP CAP. | 75pF | 50V | CH | GRM1882C1H750JZ01D | K22174232 | | 1- | A | I3 |
| C 1121 | CHIP CAP. | 47pF | 50V | CH | GRM1882C1H470JA01D | K22174227 | | 1- | A | I3 |
| C 1122 | CHIP CAP. | 360pF | 50V | CH | GRM39CH361J50PT | K22174254 | | 1- | A | F3 |
| C 1123 | CHIP TA.CAP. | 10uF | 10V | | TEMSVA1A106M-8R | K78100028 | | 1- | A | C2 |
| C 1124 | CHIP CAP. | 200pF | 50V | CH | GRM1882C1H201JA01D | K22174242 | | 1- | A | F3 |
| C 1125 | CHIP CAP. | 100pF | 50V | CH | GRM1882C1H101JA01D | K22174235 | | 1- | A | F3 |
| C 1126 | CHIP CAP. | 68pF | 50V | CH | GRM1882C1H680JA01D | K22174231 | | 1- | A | G3 |
| C 1127 | CHIP CAP. | 39pF | 50V | CH | GRM1882C1H390JA01D | K22174225 | | 1- | A | G3 |
| C 1128 | CHIP CAP. | 24pF | 50V | CH | GRM1882C1H240JZ01D | K22174220 | | 1- | A | H3 |
| C 1129 | CHIP CAP. | 15pF | 50V | CH | GRM1882C1H150JA01D | K22174215 | | 1- | A | H3 |
| C 1130 | CHIP CAP. | 12pF | 50V | CH | GRM1882C1H120JA01D | K22174213 | | 1- | A | I3 |
| C 1131 | CHIP CAP. | 8pF | 50V | CH | GRM1882C1H8R0DZ01D | K22174209 | | 1- | A | I3 |
| C 1132 | CHIP CAP. | 1uF | 10V | F | GRM188F11A105ZA01D | K22105001 | | 1- | A | C2 |
| C 1133 | CHIP CAP. | 0.022uF | 25V | B | GRM39B223K25PT | K22144807 | | 1- | A | C2 |
| C 1134 | CHIP CAP. | 220pF | 50V | CH | GRM1882C1H221JA01D | K22174243 | | 1- | A | F3 |

| REF. | DESCRIPTION | VALUE | V/W | TOL. | MFR'S DESIG | VXSTD P/N | VERS. | LOT. | SIDE | LAY ADR |
|--------|--------------|---------|-----|------|--------------------|-----------|-------|------|------|---------|
| C 1135 | CHIP CAP. | 150pF | 50V | CH | GRM1882C1H151JA01D | K22174239 | | 1- | A | G3 |
| C 1136 | CHIP CAP. | 120pF | 50V | CH | GRM1882C1H121JA01D | K22174237 | | 1- | A | G3 |
| C 1137 | CHIP CAP. | 62pF | 50V | CH | GRM1882C1H620JZ01D | K22174230 | | 1- | A | H3 |
| C 1138 | CHIP CAP. | 18pF | 50V | CH | | K22174217 | | 1- | A | H3 |
| C 1139 | CHIP CAP. | 12pF | 50V | CH | GRM1882C1H120JA01D | K22174213 | | 1- | A | I3 |
| C 1140 | CHIP CAP. | 0.5pF | 50V | CK | GRM1884C1HR50CZ01D | K22174201 | | 1- | A | I3 |
| C 1141 | CHIP CAP. | 0.022uF | 25V | B | GRM39B223K25PT | K22144807 | | 1- | A | F3 |
| C 1142 | CHIP CAP. | 0.022uF | 25V | B | GRM39B223K25PT | K22144807 | | 1- | A | F3 |
| C 1143 | CHIP CAP. | 0.022uF | 25V | B | GRM39B223K25PT | K22144807 | | 1- | A | G3 |
| C 1144 | CHIP CAP. | 0.022uF | 25V | B | GRM39B223K25PT | K22144807 | | 1- | A | G3 |
| C 1145 | CHIP CAP. | 0.022uF | 25V | B | GRM39B223K25PT | K22144807 | | 1- | A | G3 |
| C 1146 | CHIP CAP. | 0.022uF | 25V | B | GRM39B223K25PT | K22144807 | | 1- | A | H3 |
| C 1147 | CHIP CAP. | 0.022uF | 25V | B | GRM39B223K25PT | K22144807 | | 1- | A | H3 |
| C 1148 | CHIP CAP. | 0.022uF | 25V | B | GRM39B223K25PT | K22144807 | | 1- | A | I3 |
| C 1149 | CHIP CAP. | 0.01uF | 25V | B | GRM39B103K25PT | K22144803 | | 1- | A | B4 |
| C 1150 | CHIP CAP. | 0.01uF | 25V | B | GRM39B103K25PT | K22144803 | | 1- | A | A4 |
| C 1151 | CHIP TA.CAP. | 2.2uF | 16V | | TEMSVA1C225M-8R | K78120015 | | 1- | A | I4 |
| C 1152 | CHIP CAP. | 0.022uF | 25V | B | GRM39B223K25PT | K22144807 | | 1- | A | I4 |
| C 1153 | CHIP CAP. | 0.1uF | 16V | B | GRM188B11C104KA01D | K22124805 | | 1- | A | I4 |
| C 1154 | CHIP CAP. | 0.022uF | 25V | B | GRM39B223K25PT | K22144807 | | 1- | A | I4 |
| C 1155 | CHIP CAP. | 0.022uF | 25V | B | GRM39B223K25PT | K22144807 | | 1- | A | I1 |
| C 1156 | CHIP CAP. | 0.022uF | 25V | B | GRM39B223K25PT | K22144807 | | 1- | A | I4 |
| C 1157 | CHIP CAP. | 0.022uF | 25V | B | GRM39B223K25PT | K22144807 | | 1- | A | I4 |
| C 1158 | CHIP CAP. | 0.01uF | 25V | B | GRM39B103K25PT | K22144803 | | 1- | A | H4 |
| C 1159 | CHIP CAP. | 0.01uF | 25V | B | GRM39B103K25PT | K22144803 | | 1- | A | H4 |
| C 1160 | CHIP TA.CAP. | 2.2uF | 16V | | TEMSVA1C225M-8R | K78120015 | | 1- | A | H3 |
| C 1161 | CHIP CAP. | 0.022uF | 25V | B | GRM39B223K25PT | K22144807 | | 1- | A | H4 |
| C 1162 | CHIP TA.CAP. | 10uF | 10V | | TEMSVA1A106M-8R | K78100028 | | 1- | A | I4 |
| C 1163 | CHIP TA.CAP. | 1uF | 16V | | TESVA1C105M1-8R | K78120009 | | 1- | A | I4 |
| C 1164 | CHIP CAP. | 0.022uF | 25V | B | GRM39B223K25PT | K22144807 | | 1- | A | H4 |
| C 1165 | CHIP CAP. | 0.01uF | 25V | B | GRM39B103K25PT | K22144803 | | 1- | A | I1 |
| C 1166 | CHIP CAP. | 0.01uF | 25V | B | GRM39B103K25PT | K22144803 | | 1- | A | H4 |
| C 1167 | CHIP CAP. | 0.047uF | 16V | B | GRM39B473K16PT | K22124804 | | 1- | A | I4 |
| C 1168 | CHIP CAP. | 0.001uF | 50V | B | GRM188B11H102KA01D | K22174821 | | 1- | A | I4 |
| C 1169 | CHIP CAP. | 0.022uF | 25V | B | GRM39B223K25PT | K22144807 | | 1- | A | H5 |
| C 1170 | CHIP CAP. | 0.022uF | 25V | B | GRM39B223K25PT | K22144807 | | 1- | A | I4 |
| C 1171 | CHIP CAP. | 0.047uF | 16V | B | GRM39B473K16PT | K22124804 | | 1- | A | H4 |
| C 1172 | CHIP CAP. | 0.001uF | 50V | B | GRM188B11H102KA01D | K22174821 | | 1- | A | I6 |
| C 1173 | CHIP CAP. | 0.047uF | 16V | B | GRM39B473K16PT | K22124804 | | 1- | A | H4 |
| C 1174 | CHIP TA.CAP. | 1uF | 16V | | TESVA1C105M1-8R | K78120009 | | 1- | A | I4 |
| C 1175 | CHIP TA.CAP. | 4.7uF | 16V | | TEMSVA1C475M-8R | K78120031 | | 1- | A | I4 |
| C 1176 | CHIP CAP. | 0.01uF | 25V | B | GRM39B103K25PT | K22144803 | | 1- | A | A2 |
| C 1177 | CHIP TA.CAP. | 1uF | 16V | | TESVA1C105M1-8R | K78120009 | | 1- | A | I4 |
| C 1178 | CHIP CAP. | 0.01uF | 25V | B | GRM39B103K25PT | K22144803 | | 1- | A | H5 |
| C 1179 | CHIP TA.CAP. | 10uF | 10V | | TEMSVA1A106M-8R | K78100028 | | 1- | A | B2 |
| C 1180 | CHIP TA.CAP. | 2.2uF | 16V | | TEMSVA1C225M-8R | K78120015 | | 1- | A | H5 |
| C 1181 | CHIP CAP. | 0.01uF | 25V | B | GRM39B103K25PT | K22144803 | | 1- | A | J6 |
| C 1183 | CHIP CAP. | 0.022uF | 25V | B | GRM39B223K25PT | K22144807 | | 1- | A | B2 |
| C 1184 | CHIP CAP. | 0.022uF | 25V | B | GRM39B223K25PT | K22144807 | | 1- | A | J6 |
| C 1185 | CHIP CAP. | 68pF | 50V | CH | GRM1882C1H680JA01D | K22174231 | | 1- | A | I5 |
| C 1186 | CHIP CAP. | 0.022uF | 25V | B | GRM39B223K25PT | K22144807 | | 1- | A | H5 |
| C 1187 | CHIP CAP. | 56pF | 50V | CH | GRM1882C1H560JA01D | K22174229 | | 1- | A | I5 |
| C 1189 | CHIP CAP. | 100pF | 50V | CH | GRM1882C1H101JA01D | K22174235 | | 1- | A | J6 |
| C 1190 | CHIP TA.CAP. | 10uF | 16V | | TEMSVB21C106M-8R | K78120025 | | 1- | A | I5 |
| C 1191 | CHIP CAP. | 0.022uF | 25V | B | GRM39B223K25PT | K22144807 | | 1- | A | I6 |
| C 1192 | CHIP CAP. | 0.022uF | 25V | B | GRM39B223K25PT | K22144807 | | 1- | A | I5 |
| C 1193 | CHIP CAP. | 68pF | 50V | CH | GRM1882C1H680JA01D | K22174231 | | 1- | A | I5 |
| C 1194 | CHIP CAP. | 0.022uF | 25V | B | GRM39B223K25PT | K22144807 | | 1- | A | I6 |
| C 1195 | CHIP CAP. | 0.022uF | 25V | B | GRM39B223K25PT | K22144807 | | 1- | A | C5 |

MAIN Unit

Parts List

| REF. | DESCRIPTION | VALUE | V/W | TOL. | MFR'S DESIG | VXSTD P/N | VERS. | LOT. | SIDE | LAY ADR |
|--------|-----------------|---------|-----|------|--------------------|-----------|-------|------|------|---------|
| C 1196 | CHIP CAP. | 0.001uF | 50V | B | GRM188B11H102KA01D | K22174821 | | 1- | A | I6 |
| C 1197 | CHIP CAP. | 12pF | 50V | CH | GRM1882C1H120JA01D | K22174213 | | 1- | A | I6 |
| C 1198 | CHIP CAP. | 0.022uF | 25V | B | GRM39B223K25PT | K22144807 | | 1- | A | I6 |
| C 1199 | CHIP CAP. | 0.022uF | 25V | B | GRM39B223K25PT | K22144807 | | 1- | A | H7 |
| C 1200 | CHIP CAP. | 0.022uF | 25V | B | GRM39B223K25PT | K22144807 | | 1- | A | I7 |
| C 1201 | CHIP CAP. | 10pF | 50V | CH | GRM1882C1H100JA01D | K22174211 | | 1- | A | I7 |
| C 1202 | CHIP CAP. | 0.022uF | 25V | B | GRM39B223K25PT | K22144807 | | 1- | A | H5 |
| C 1203 | CHIP CAP. | 0.022uF | 25V | B | GRM39B223K25PT | K22144807 | | 1- | A | I6 |
| C 1204 | CHIP CAP. | 0.022uF | 25V | B | GRM39B223K25PT | K22144807 | | 1- | A | I6 |
| C 1205 | CHIP CAP. | 0.022uF | 25V | B | GRM39B223K25PT | K22144807 | | 1- | A | C5 |
| C 1206 | CHIP CAP. | 0.022uF | 25V | B | GRM39B223K25PT | K22144807 | | 1- | A | I6 |
| C 1207 | CHIP CAP. | 0.022uF | 25V | B | GRM39B223K25PT | K22144807 | | 1- | A | H7 |
| C 1208 | CHIP TA.CAP. | 10uF | 10V | | TEMSVA1A106M-8R | K78100028 | | 1- | A | I7 |
| C 1209 | CHIP CAP. | 0.022uF | 25V | B | GRM39B223K25PT | K22144807 | | 1- | A | H6 |
| C 1210 | CHIP CAP. | 2pF | 50V | CK | GRM1884C1H2R0CZ01D | K22174203 | | 1- | A | H7 |
| C 1211 | CHIP CAP. | 0.022uF | 25V | B | GRM39B223K25PT | K22144807 | | 1- | A | H5 |
| C 1212 | CHIP TA.CAP. | 22uF | 10V | | TEMSVB21A226M-8R | K78100029 | | 1- | A | I6 |
| C 1213 | CHIP TA.CAP. | 10uF | 10V | | TEMSVA1A106M-8R | K78100028 | | 1- | A | B5 |
| C 1214 | CHIP TA.CAP. | 0.22uF | 35V | | TESVA1V224M1-8R | K78160027 | | 1- | A | I7 |
| C 1215 | CHIP TA.CAP. | 1uF | 35V | | TEMSVA1V105M-8R | K78160032 | | 1- | A | I7 |
| C 1216 | CHIP CAP. | 0.01uF | 25V | B | GRM39B103K25PT | K22144803 | | 1- | A | I7 |
| C 1217 | CHIP CAP. | 0.022uF | 25V | B | GRM39B223K25PT | K22144807 | | 1- | A | B4 |
| C 1218 | CHIP CAP. | 15pF | 50V | CH | GRM1882C1H150JA01D | K22174215 | | 1- | A | H6 |
| C 1219 | CHIP CAP. | 0.001uF | 50V | B | GRM188B11H102KA01D | K22174821 | | 1- | A | H6 |
| C 1220 | CHIP CAP. | 0.001uF | 50V | B | GRM188B11H102KA01D | K22174821 | | 1- | A | H7 |
| C 1222 | CHIP CAP. | 0.022uF | 25V | B | GRM39B223K25PT | K22144807 | | 1- | A | H6 |
| C 1223 | CHIP TA.CAP. | 10uF | 16V | | TEMSVB21C106M-8R | K78120025 | | 1- | A | H5 |
| C 1224 | CHIP CAP. | 0.022uF | 25V | B | GRM39B223K25PT | K22144807 | | 1- | A | H6 |
| C 1225 | CHIP CAP. | 0.022uF | 25V | B | GRM39B223K25PT | K22144807 | | 1- | A | H6 |
| C 1226 | CHIP CAP. | 0.022uF | 25V | B | GRM39B223K25PT | K22144807 | | 1- | A | G7 |
| C 1227 | CHIP TA.CAP. | 10uF | 16V | | TEMSVB21C106M-8R | K78120025 | | 1- | A | H6 |
| C 1228 | CHIP CAP. | 0.022uF | 25V | B | GRM39B223K25PT | K22144807 | | 1- | A | G6 |
| C 1229 | CHIP CAP. | 0.022uF | 25V | B | GRM39B223K25PT | K22144807 | | 1- | A | H6 |
| C 1230 | CHIP CAP. | 0.022uF | 25V | B | GRM39B223K25PT | K22144807 | | 1- | A | G7 |
| C 1231 | CHIP CAP. | 0.5pF | 50V | CK | GRM1884C1HR50CZ01D | K22174201 | | 1- | A | G6 |
| C 1232 | CHIP CAP. | 0.022uF | 25V | B | GRM39B223K25PT | K22144807 | | 1- | A | H6 |
| C 1233 | CHIP CAP. | 0.022uF | 25V | B | GRM39B223K25PT | K22144807 | | 1- | A | G6 |
| C 1234 | CHIP TA.CAP. | 4.7uF | 25V | | TEMSVB21E475M-8R | K78140019 | | 1- | A | I5 |
| C 1235 | CHIP CAP. | 0.033uF | 16V | R | GRM188R11C333KA01D | K22124801 | | 1- | A | G6 |
| C 1236 | CHIP CAP. | 0.001uF | 50V | B | GRM188B11H102KA01D | K22174821 | | 1- | A | G6 |
| C 1237 | CHIP CAP. | 0.01uF | 25V | B | GRM39B103K25PT | K22144803 | | 1- | A | H6 |
| C 1238 | CHIP CAP. | 100pF | 50V | CH | GRM1882C1H101JA01D | K22174235 | | 1- | A | G7 |
| C 1239 | CHIP CAP. | 0.022uF | 25V | B | GRM39B223K25PT | K22144807 | | 1- | A | G6 |
| C 1240 | CHIP CAP. | 0.022uF | 25V | B | GRM39B223K25PT | K22144807 | | 1- | A | G6 |
| C 1241 | CHIP CAP. | 0.022uF | 25V | B | GRM39B223K25PT | K22144807 | | 1- | A | E4 |
| C 1242 | CHIP CAP. | 0.022uF | 25V | B | GRM39B223K25PT | K22144807 | | 1- | A | G6 |
| C 1243 | CHIP CAP. | 0.022uF | 25V | B | GRM39B223K25PT | K22144807 | | 1- | A | G7 |
| C 1244 | AL.ELECTRO.CAP. | 470uF | 16V | | RE3-16V471M 470UF | K40129066 | | 1- | A | B6 |
| C 1245 | CHIP CAP. | 0.022uF | 25V | B | GRM39B223K25PT | K22144807 | | 1- | A | G6 |
| C 1246 | CHIP CAP. | 0.022uF | 25V | B | GRM39B223K25PT | K22144807 | | 1- | A | G6 |
| C 1247 | CHIP TA.CAP. | 10uF | 10V | | TEMSVA1A106M-8R | K78100028 | | 1- | A | F6 |
| C 1249 | CHIP CAP. | 0.1uF | 16V | B | GRM188B11C104KA01D | K22124805 | | 1- | A | A7 |
| C 1250 | AL.ELECTRO.CAP. | 470uF | 16V | | RE3-16V471M 470UF | K40129066 | | 1- | A | B6 |
| C 1251 | AL.ELECTRO.CAP. | 470uF | 16V | | RE3-16V471M 470UF | K40129066 | | 1- | A | A7 |
| C 1252 | CHIP CAP. | 0.022uF | 25V | B | GRM39B223K25PT | K22144807 | | 1- | A | F6 |
| C 1253 | CHIP CAP. | 0.022uF | 25V | B | GRM39B223K25PT | K22144807 | | 1- | A | F7 |
| C 1254 | CHIP CAP. | 0.01uF | 25V | B | GRM39B103K25PT | K22144803 | | 1- | A | B6 |
| C 1255 | CHIP CAP. | 0.022uF | 25V | B | GRM39B223K25PT | K22144807 | | 1- | A | F6 |
| C 1256 | CHIP CAP. | 0.1uF | 16V | B | GRM188B11C104KA01D | K22124805 | | 1- | A | F7 |

| REF. | DESCRIPTION | VALUE | V/W | TOL. | MFR'S DESIG | VXSTD P/N | VERS. | LOT. | SIDE | LAY ADR |
|--------|-----------------|----------|-----|------|--------------------|-----------|-------|------|------|---------|
| C 1257 | AL.ELECTRO.CAP. | 47uF | 16V | | ECEV1CA470SP | K48120005 | | 1- | A | A7 |
| C 1259 | CHIP CAP. | 0.022uF | 25V | B | GRM39B223K25PT | K22144807 | | 1- | A | F7 |
| C 1260 | CHIP CAP. | 0.1uF | 16V | B | GRM188B11C104KA01D | K22124805 | | 1- | A | F7 |
| C 1261 | CHIP CAP. | 0.1uF | 16V | B | GRM188B11C104KA01D | K22124805 | | 1- | A | F7 |
| C 1262 | CHIP TA.CAP. | 10uF | 10V | | TEMSVA1A106M-8R | K78100028 | | 1- | A | F7 |
| C 1263 | CHIP CAP. | 0.1uF | 16V | B | GRM188B11C104KA01D | K22124805 | | 1- | A | F7 |
| C 1264 | CHIP TA.CAP. | 3.3uF | 16V | | TESVB21C335M8R | K78120010 | | 1- | A | B7 |
| C 1265 | CHIP CAP. | 0.01uF | 25V | B | GRM39B103K25PT | K22144803 | | 1- | A | F5 |
| C 1266 | CHIP CAP. | 0.01uF | 25V | B | GRM39B103K25PT | K22144803 | | 1- | A | F5 |
| C 1269 | CHIP TA.CAP. | 10uF | 10V | | TEMSVA1A106M-8R | K78100028 | | 1- | A | F6 |
| C 1270 | CHIP TA.CAP. | 10uF | 10V | | TEMSVA1A106M-8R | K78100028 | | 1- | A | F6 |
| C 1271 | CHIP CAP. | 0.022uF | 25V | B | GRM39B223K25PT | K22144807 | | 1- | A | F6 |
| C 1272 | CHIP CAP. | 0.022uF | 25V | B | GRM39B223K25PT | K22144807 | | 1- | A | F6 |
| C 1273 | CHIP TA.CAP. | 10uF | 10V | | TEMSVA1A106M-8R | K78100028 | | 1- | A | E6 |
| C 1276 | CHIP CAP. | 0.022uF | 25V | B | GRM39B223K25PT | K22144807 | | 1- | A | E6 |
| C 1277 | CHIP CAP. | 0.047uF | 16V | B | GRM39B473K16PT | K22124804 | | 1- | A | D5 |
| C 1278 | FILM CAP. | 0.039uF | 16V | | ECHU1C393JX5 | K57120023 | | 1- | A | F5 |
| C 1279 | CHIP CAP. | 0.01uF | 25V | B | GRM39B103K25PT | K22144803 | | 1- | A | E5 |
| C 1280 | CHIP TA.CAP. | 1uF | 16V | | TESVA1C105M1-8R | K78120009 | | 1- | A | D5 |
| C 1281 | CHIP CAP. | 47pF | 50V | CH | GRM1882C1H470JA01D | K22174227 | | 1- | A | F6 |
| C 1282 | CHIP CAP. | 47pF | 50V | CH | GRM1882C1H470JA01D | K22174227 | | 1- | A | F6 |
| C 1283 | CHIP CAP. | 100pF | 50V | CH | GRM1882C1H101JA01D | K22174235 | | 1- | A | F5 |
| C 1284 | FILM CAP. | 0.082uF | 16V | | ECHU1C823JX5 | K57120024 | | 1- | A | F5 |
| C 1285 | CHIP TA.CAP. | 10uF | 10V | | TEMSVA1A106M-8R | K78100028 | | 1- | A | D5 |
| C 1286 | CHIP CAP. | 27pF | 50V | CH | GRM1882C1H270JA01D | K22174221 | | 1- | A | E5 |
| C 1287 | CHIP TA.CAP. | 10uF | 10V | | TEMSVA1A106M-8R | K78100028 | | 1- | A | F6 |
| C 1288 | CHIP CAP. | 22pF | 50V | CH | GRM1882C1H220JA01D | K22174219 | | 1- | A | E5 |
| C 1289 | CHIP CAP. | 22pF | 50V | CH | GRM1882C1H220JA01D | K22174219 | | 1- | A | E5 |
| C 1290 | CHIP CAP. | 22pF | 50V | CH | GRM1882C1H220JA01D | K22174219 | | 1- | A | E5 |
| C 1291 | CHIP CAP. | 0.01uF | 25V | B | GRM39B103K25PT | K22144803 | | 1- | A | E5 |
| C 1292 | CHIP CAP. | 0.01uF | 25V | B | GRM39B103K25PT | K22144803 | | 1- | A | D5 |
| C 1293 | CHIP CAP. | 10pF | 50V | CH | GRM1882C1H100JA01D | K22174211 | | 1- | A | E5 |
| C 1294 | CHIP CAP. | 0.01uF | 25V | B | GRM39B103K25PT | K22144803 | | 1- | A | D5 |
| C 1296 | CHIP CAP. | 0.022uF | 25V | B | GRM39B223K25PT | K22144807 | | 1- | A | F6 |
| C 1298 | FILM CAP. | 0.0056uF | 16V | | ECHU1C562JX5 | K57120022 | | 1- | A | F5 |
| C 1299 | CHIP CAP. | 0.0082uF | 25V | B | GRM39B822M25PT | K22144801 | | 1- | A | D7 |
| C 1300 | CHIP CAP. | 0.0082uF | 25V | B | GRM39B822M25PT | K22144801 | | 1- | A | C7 |
| C 1301 | CHIP CAP. | 0.01uF | 25V | B | GRM39B103K25PT | K22144803 | | 1- | A | F5 |
| C 1302 | CHIP CAP. | 470pF | 50V | CH | GRM1882C1H471JA01D | K22174249 | | 1- | A | E5 |
| C 1303 | CHIP CAP. | 0.01uF | 25V | B | GRM39B103K25PT | K22144803 | | 1- | A | E5 |
| C 1304 | CHIP CAP. | 100pF | 50V | CH | GRM1882C1H101JA01D | K22174235 | | 1- | A | F5 |
| C 1305 | CHIP CAP. | 0.01uF | 25V | B | GRM39B103K25PT | K22144803 | | 1- | A | G5 |
| C 1306 | CHIP CAP. | 22pF | 50V | CH | GRM1882C1H220JA01D | K22174219 | | 1- | A | E5 |
| C 1307 | CHIP CAP. | 22pF | 50V | CH | GRM1882C1H220JA01D | K22174219 | | 1- | A | E5 |
| C 1308 | FILM CAP. | 0.0056uF | 16V | | ECHU1C562JX5 | K57120022 | | 1- | A | F5 |
| C 1309 | CHIP TA.CAP. | 10uF | 10V | | TEMSVA1A106M-8R | K78100028 | | 1- | A | E5 |
| C 1310 | CHIP CAP. | 22pF | 50V | CH | GRM1882C1H220JA01D | K22174219 | | 1- | A | E5 |
| C 1311 | CHIP CAP. | 0.1uF | 16V | B | GRM188B11C104KA01D | K22124805 | | 1- | A | D4 |
| C 1312 | CHIP CAP. | 0.1uF | 16V | B | GRM188B11C104KA01D | K22124805 | | 1- | A | D6 |
| C 1313 | CHIP CAP. | 0.01uF | 25V | B | GRM39B103K25PT | K22144803 | | 1- | A | E5 |
| C 1315 | CHIP TA.CAP. | 10uF | 10V | | TEMSVA1A106M-8R | K78100028 | | 1- | A | D4 |
| C 1316 | CHIP CAP. | 0.0039uF | 50V | B | GRM188B11H392KA01D | K22174830 | | 1- | A | E7 |
| C 1317 | CHIP CAP. | 1pF | 50V | CK | GRM1884C1H1R0CZ01D | K22174202 | | 1- | A | F5 |
| C 1318 | CHIP TA.CAP. | 10uF | 10V | | TEMSVA1A106M-8R | K78100028 | | 1- | A | E5 |
| C 1319 | CHIP CAP. | 0.01uF | 25V | B | GRM39B103K25PT | K22144803 | | 1- | A | F5 |
| C 1320 | CHIP TA.CAP. | 10uF | 10V | | TEMSVA1A106M-8R | K78100028 | | 1- | A | D6 |
| C 1321 | CHIP CAP. | 2pF | 50V | CK | GRM1884C1H2R0CZ01D | K22174203 | | 1- | A | G5 |
| C 1323 | CHIP CAP. | 430pF | 50V | CH | GRM1882C1H431JA01D | K22174256 | | 1- | A | F7 |
| C 1324 | CHIP CAP. | 430pF | 50V | CH | GRM1882C1H431JA01D | K22174256 | | 1- | A | F7 |

MAIN Unit

Parts List

| REF. | DESCRIPTION | VALUE | V/W | TOL. | MFR'S DESIG | VXSTD P/N | VERS. | LOT. | SIDE | LAY ADR |
|--------|-----------------|----------|-----|------|--------------------|-----------|-------|------|------|---------|
| C 1325 | CHIP CAP. | 0.0033uF | 50V | B | GRM188B11H332KA01D | K22174831 | | 1- | A | E7 |
| C 1326 | CHIP CAP. | 0.01uF | 25V | B | GRM39B103K25PT | K22144803 | | 1- | A | G5 |
| C 1327 | CHIP CAP. | 390pF | 50V | CH | GRM1882C1H391JA01D | K22174255 | | 1- | A | C7 |
| C 1328 | CHIP CAP. | 390pF | 50V | CH | GRM1882C1H391JA01D | K22174255 | | 1- | A | D7 |
| C 1329 | CHIP CAP. | 430pF | 50V | CH | GRM1882C1H431JA01D | K22174256 | | 1- | A | F7 |
| C 1330 | CHIP CAP. | 430pF | 50V | CH | GRM1882C1H431JA01D | K22174256 | | 1- | A | F7 |
| C 1331 | CHIP CAP. | 5pF | 50V | CH | GRM1882C1H5R0CZ01D | K22174206 | | 1- | A | G5 |
| C 1332 | CHIP TA.CAP. | 10uF | 10V | | TEMSVA1A106M-8R | K78100028 | | 1- | A | E7 |
| C 1335 | CHIP CAP. | 0.022uF | 25V | B | GRM39B223K25PT | K22144807 | | 1- | A | E7 |
| C 1336 | AL.ELECTRO.CAP. | 100uF | 16V | | RC2-16V101MGZ-T58 | K46120007 | | 1- | A | G4 |
| C 1337 | CHIP CAP. | 0.0033uF | 50V | B | GRM188B11H332KA01D | K22174831 | | 1- | A | F7 |
| C 1338 | CHIP CAP. | 0.0033uF | 50V | B | GRM188B11H332KA01D | K22174831 | | 1- | A | F7 |
| C 1339 | CHIP CAP. | 0.01uF | 25V | B | GRM39B103K25PT | K22144803 | | 1- | A | G5 |
| C 1341 | CHIP CAP. | 0.01uF | 25V | B | GRM39B103K25PT | K22144803 | | 1- | A | F5 |
| C 1342 | CHIP CAP. | 0.001uF | 50V | B | GRM188B11H102KA01D | K22174821 | | 1- | A | G4 |
| C 1343 | CHIP TA.CAP. | 10uF | 10V | | TEMSVA1A106M-8R | K78100028 | | 1- | A | C7 |
| C 1344 | CHIP TA.CAP. | 10uF | 10V | | TEMSVA1A106M-8R | K78100028 | | 1- | A | D7 |
| C 1346 | CHIP CAP. | 0.01uF | 25V | B | GRM39B103K25PT | K22144803 | | 1- | A | D6 |
| C 1347 | CHIP CAP. | 47pF | 50V | CH | GRM1882C1H470JA01D | K22174227 | | 1- | A | D5 |
| C 1348 | CHIP CAP. | 0.022uF | 25V | B | GRM39B223K25PT | K22144807 | | 1- | A | C7 |
| C 1349 | CHIP CAP. | 0.022uF | 25V | B | GRM39B223K25PT | K22144807 | | 1- | A | D7 |
| C 1350 | CHIP CAP. | 0.22uF | 10V | B | GRM188B11A224KA01D | K22104801 | | 1- | A | C7 |
| C 1351 | CHIP CAP. | 0.22uF | 10V | B | GRM188B11A224KA01D | K22104801 | | 1- | A | D7 |
| C 1352 | CHIP CAP. | 100pF | 50V | CH | GRM1882C1H101JA01D | K22174235 | | 1- | A | D7 |
| C 1353 | CHIP CAP. | 100pF | 50V | CH | GRM1882C1H101JA01D | K22174235 | | 1- | A | D7 |
| C 1354 | CHIP CAP. | 0.01uF | 25V | B | GRM39B103K25PT | K22144803 | | 1- | A | G4 |
| C 1355 | CHIP CAP. | 0.01uF | 25V | B | GRM39B103K25PT | K22144803 | | 1- | A | F5 |
| C 1356 | CHIP CAP. | 47pF | 50V | CH | GRM1882C1H470JA01D | K22174227 | | 1- | A | E6 |
| C 1357 | CHIP CAP. | 47pF | 50V | CH | GRM1882C1H470JA01D | K22174227 | | 1- | A | E6 |
| C 1358 | CHIP CAP. | 0.1uF | 16V | B | GRM188B11C104KA01D | K22124805 | | 1- | A | D2 |
| C 1359 | CHIP CAP. | 100pF | 50V | CH | GRM1882C1H101JA01D | K22174235 | | 1- | A | D7 |
| C 1360 | CHIP CAP. | 100pF | 50V | CH | GRM1882C1H101JA01D | K22174235 | | 1- | A | D7 |
| C 1361 | CHIP TA.CAP. | 10uF | 10V | | TEMSVA1A106M-8R | K78100028 | | 1- | A | E6 |
| C 1362 | CHIP TA.CAP. | 10uF | 10V | | TEMSVA1A106M-8R | K78100028 | | 1- | A | D7 |
| C 1363 | CHIP CAP. | 47pF | 50V | CH | GRM1882C1H470JA01D | K22174227 | | 1- | A | G5 |
| C 1364 | CHIP TA.CAP. | 10uF | 10V | | TEMSVA1A106M-8R | K78100028 | | 1- | A | E6 |
| C 1365 | CHIP CAP. | 0.01uF | 25V | B | GRM39B103K25PT | K22144803 | | 1- | A | D6 |
| C 1366 | CHIP CAP. | 0.022uF | 25V | B | GRM39B223K25PT | K22144807 | | 1- | A | E6 |
| C 1367 | CHIP CAP. | 0.022uF | 25V | B | GRM39B223K25PT | K22144807 | | 1- | A | D7 |
| C 1368 | CHIP TA.CAP. | 10uF | 10V | | TEMSVA1A106M-8R | K78100028 | | 1- | A | F6 |
| C 1369 | CHIP CAP. | 0.022uF | 25V | B | GRM39B223K25PT | K22144807 | | 1- | A | E6 |
| C 1370 | CHIP TA.CAP. | 10uF | 10V | | TEMSVA1A106M-8R | K78100028 | | 1- | A | E7 |
| C 1371 | CHIP TA.CAP. | 10uF | 10V | | TEMSVA1A106M-8R | K78100028 | | 1- | A | E7 |
| C 1372 | CHIP CAP. | 0.022uF | 25V | B | GRM39B223K25PT | K22144807 | | 1- | A | E7 |
| C 1373 | CHIP CAP. | 0.022uF | 25V | B | GRM39B223K25PT | K22144807 | | 1- | A | F6 |
| C 1374 | CHIP CAP. | 15pF | 50V | UJ | GRM1883U1H150JZ01D | K22174312 | | 1- | A | G4 |
| C 1375 | CHIP CAP. | 22pF | 50V | CH | GRM1882C1H220JA01D | K22174219 | | 1- | A | G5 |
| C 1376 | CHIP CAP. | 15pF | 50V | CH | GRM1882C1H150JA01D | K22174215 | | 1- | A | G4 |
| C 1377 | CHIP CAP. | 10pF | 50V | CH | GRM1882C1H100JA01D | K22174211 | | 1- | A | F5 |
| C 1378 | CHIP CAP. | 0.022uF | 25V | B | GRM39B223K25PT | K22144807 | | 1- | A | E7 |
| C 1379 | CHIP CAP. | 0.0012uF | 50V | B | GRM188B11H122KA01D | K22174810 | | 1- | A | E6 |
| C 1380 | CHIP CAP. | 0.0012uF | 50V | B | GRM188B11H122KA01D | K22174810 | | 1- | A | F6 |
| C 1381 | CHIP CAP. | 56pF | 50V | CH | GRM1882C1H560JA01D | K22174229 | | 1- | A | D6 |
| C 1382 | CHIP TA.CAP. | 10uF | 10V | | TEMSVA1A106M-8R | K78100028 | | 1- | A | D6 |
| C 1383 | CHIP CAP. | 33pF | 50V | CH | GRM1882C1H330JA01D | K22174223 | | 1- | A | G4 |
| C 1384 | CHIP CAP. | 33pF | 50V | UJ | GRM1883U1H330JZ01D | K22174320 | | 1- | A | G4 |
| C 1385 | CHIP CAP. | 0.022uF | 25V | B | GRM39B223K25PT | K22144807 | | 1- | A | D6 |
| C 1386 | CHIP CAP. | 27pF | 50V | CH | GRM1882C1H270JA01D | K22174221 | | 1- | A | F4 |
| C 1387 | CHIP CAP. | 0.22uF | 10V | B | GRM188B11A224KA01D | K22104801 | | 1- | A | E7 |

| REF. | DESCRIPTION | VALUE | V/W | TOL. | MFR'S DESIG | VXSTD P/N | VERS. | LOT. | SIDE | LAY ADR |
|--------|--------------|----------|-----|------|--------------------|-----------|-------|------|------|---------|
| C 1388 | CHIP CAP. | 0.01uF | 25V | B | GRM39B103K25PT | K22144803 | | 1- | A | G5 |
| C 1389 | CHIP CAP. | 68pF | 50V | CH | GRM1882C1H680JA01D | K22174231 | | 1- | A | G5 |
| C 1390 | CHIP CAP. | 33pF | 50V | CH | GRM1882C1H330JA01D | K22174223 | | 1- | A | G4 |
| C 1391 | CHIP CAP. | 39pF | 50V | CH | GRM1882C1H390JA01D | K22174225 | | 1- | A | G5 |
| C 1392 | CHIP CAP. | 0.01uF | 25V | B | GRM39B103K25PT | K22144803 | | 1- | A | E5 |
| C 1393 | CHIP CAP. | 0.01uF | 25V | B | GRM39B103K25PT | K22144803 | | 1- | A | J4 |
| C 1394 | CHIP CAP. | 0.01uF | 25V | B | GRM39B103K25PT | K22144803 | | 1- | A | J4 |
| C 1395 | CHIP CAP. | 1uF | 10V | B | GRM40B105K10PT | K22100802 | | 1- | A | J2 |
| C 1396 | CHIP CAP. | 0.01uF | 25V | B | GRM39B103K25PT | K22144803 | | 1- | A | E6 |
| C 1397 | CHIP CAP. | 68pF | 50V | CH | GRM1882C1H680JA01D | K22174231 | | 1- | A | G5 |
| C 1398 | CHIP CAP. | 0.01uF | 25V | B | GRM39B103K25PT | K22144803 | | 1- | A | J4 |
| C 1399 | CHIP CAP. | 0.1uF | 16V | B | GRM188B11C104KA01D | K22124805 | | 1- | A | J2 |
| C 1400 | CHIP CAP. | 39pF | 50V | CH | GRM1882C1H390JA01D | K22174225 | | 1- | A | H5 |
| C 1401 | CHIP CAP. | 43pF | 50V | CH | GRM1882C1H430JZ01D | K22174226 | | 1- | A | E5 |
| C 1402 | CHIP CAP. | 0.01uF | 25V | B | GRM39B103K25PT | K22144803 | | 1- | A | J2 |
| C 1403 | CHIP CAP. | 100pF | 50V | CH | GRM1882C1H101JA01D | K22174235 | | 1- | A | J3 |
| C 1404 | CHIP CAP. | 0.01uF | 25V | B | GRM39B103K25PT | K22144803 | | 1- | A | J4 |
| C 1405 | CHIP CAP. | 8pF | 50V | CH | GRM1882C1H8R0DZ01D | K22174209 | | 1- | A | E6 |
| C 1406 | CHIP CAP. | 100pF | 50V | CH | GRM1882C1H101JA01D | K22174235 | | 1- | A | J3 |
| C 1407 | CHIP CAP. | 0.01uF | 25V | B | GRM39B103K25PT | K22144803 | | 1- | A | J4 |
| C 1408 | CHIP CAP. | 0.01uF | 25V | B | GRM39B103K25PT | K22144803 | | 1- | A | J2 |
| C 1409 | CHIP CAP. | 68pF | 50V | CH | GRM1882C1H680JA01D | K22174231 | | 1- | A | H5 |
| C 1410 | CHIP CAP. | 56pF | 50V | CH | GRM1882C1H560JA01D | K22174229 | | 1- | A | E5 |
| C 1411 | CHIP CAP. | 24pF | 50V | CH | GRM1882C1H240JZ01D | K22174220 | | 1- | A | E6 |
| C 1412 | CHIP CAP. | 0.01uF | 25V | B | GRM39B103K25PT | K22144803 | | 1- | A | J3 |
| C 1413 | CHIP CAP. | 0.01uF | 25V | B | GRM39B103K25PT | K22144803 | | 1- | A | J4 |
| C 1414 | CHIP CAP. | 0.01uF | 25V | B | GRM39B103K25PT | K22144803 | | 1- | A | J2 |
| C 1415 | CHIP CAP. | 0.01uF | 25V | B | GRM39B103K25PT | K22144803 | | 1- | A | J2 |
| C 1416 | CHIP CAP. | 0.01uF | 25V | B | GRM39B103K25PT | K22144803 | | 1- | A | J2 |
| C 1417 | CHIP CAP. | 0.01uF | 25V | B | GRM39B103K25PT | K22144803 | | 1- | A | J3 |
| C 1418 | FILM CAP. | 0.0056uF | 16V | | ECHU1C562JX5 | K57120022 | | 1- | A | F5 |
| C 1419 | CHIP CAP. | 0.01uF | 25V | B | GRM39B103K25PT | K22144803 | | 1- | A | J3 |
| C 1420 | CHIP CAP. | 39pF | 50V | CH | GRM1882C1H390JA01D | K22174225 | | 1- | A | H5 |
| C 1421 | CHIP CAP. | 33pF | 50V | CH | GRM1882C1H330JA01D | K22174223 | | 1- | A | E5 |
| C 1422 | CHIP CAP. | 0.01uF | 25V | B | GRM39B103K25PT | K22144803 | | 1- | A | J4 |
| C 1423 | CHIP CAP. | 0.01uF | 25V | B | GRM39B103K25PT | K22144803 | | 1- | A | J3 |
| C 1424 | CHIP CAP. | 0.01uF | 25V | B | GRM39B103K25PT | K22144803 | | 1- | A | J3 |
| C 1426 | CHIP CAP. | 0.001uF | 50V | B | GRM188B11H102KA01D | K22174821 | | 1- | A | D5 |
| C 1427 | CHIP CAP. | 0.022uF | 25V | B | GRM39B223K25PT | K22144807 | | 1- | A | C4 |
| C 1428 | CHIP CAP. | 0.01uF | 25V | B | GRM39B103K25PT | K22144803 | | 1- | A | A2 |
| C 1429 | CHIP CAP. | 0.01uF | 25V | B | GRM39B103K25PT | K22144803 | | 1- | A | A2 |
| C 1431 | CHIP TA.CAP. | 10uF | 10V | | TEMSVA1A106M-8R | K78100028 | | 1- | A | C2 |
| C 1432 | CHIP CAP. | 33pF | 50V | CH | GRM1882C1H330JA01D | K22174223 | | 1- | A | H4 |
| C 1433 | CHIP CAP. | 15pF | 50V | CH | GRM1882C1H150JA01D | K22174215 | | 1- | A | I6 |
| C 1434 | CHIP CAP. | 0.01uF | 25V | B | GRM39B103K25PT | K22144803 | | 1- | A | A3 |
| C 1435 | CHIP CAP. | 0.01uF | 25V | B | GRM39B103K25PT | K22144803 | | 1- | A | A3 |
| C 1436 | CHIP CAP. | 0.01uF | 25V | B | GRM39B103K25PT | K22144803 | | 1- | A | A3 |
| C 1437 | CHIP CAP. | 0.01uF | 25V | B | GRM39B103K25PT | K22144803 | | 1- | A | J4 |
| C 1438 | CHIP CAP. | 0.0022uF | 50V | B | GRM188B11H222KA01D | K22174813 | | 1- | A | C7 |
| C 1439 | CHIP CAP. | 0.0022uF | 50V | B | GRM188B11H222KA01D | K22174813 | | 1- | A | D7 |
| C 1440 | CHIP CAP. | 1uF | 10V | B | GRM40B105K10PT | K22100802 | | 1- | A | E7 |
| C 1441 | CHIP CAP. | 1uF | 10V | B | GRM40B105K10PT | K22100802 | | 1- | A | E7 |
| C 1442 | CHIP CAP. | 0.1uF | 16V | B | GRM188B11C104KA01D | K22124805 | | 1- | A | D6 |
| C 1443 | CHIP TA.CAP. | 10uF | 10V | | TEMSVA1A106M-8R | K78100028 | | 1- | A | D6 |
| C 1444 | CHIP CAP. | 0.022uF | 25V | B | GRM39B223K25PT | K22144807 | | 1- | A | C6 |
| C 1445 | CHIP CAP. | 1uF | 10V | B | GRM40B105K10PT | K22100802 | | 1- | A | C7 |
| C 1446 | CHIP CAP. | 1uF | 10V | B | GRM40B105K10PT | K22100802 | | 1- | A | D7 |
| C 1447 | CHIP CAP. | 0.1uF | 16V | B | GRM188B11C104KA01D | K22124805 | | 1- | A | G6 |
| C 1448 | CHIP CAP. | 470pF | 50V | CH | GRM1882C1H471JA01D | K22174249 | | 1- | A | E5 |

MAIN Unit

Parts List

| REF. | DESCRIPTION | VALUE | V/W | TOL. | MFR'S DESIG | | VERS. | LOT. | SIDE | LAY ADR |
|--------|----------------|----------|-----|------|--------------------|-----------|-------|------|------|---------|
| C 1449 | CHIP CAP. | 470pF | 50V | CH | GRM1882C1H471JA01D | K22174249 | | 1- | A | J2 |
| C 1450 | CHIP TA.CAP. | 3.3uF | 16V | | TESVB21C335M8R | K78120010 | | 1- | A | B6 |
| C 1451 | CHIP CAP. | 0.001uF | 50V | B | GRM188B11H102KA01D | K22174809 | | 1- | A | B7 |
| C 1452 | CHIP TA.CAP. | 3.3uF | 16V | | TESVB21C335M8R | K78120010 | | 1- | A | B6 |
| C 1453 | CHIP CAP. | 0.0039uF | 50V | B | GRM188B11H392KA01D | K22174830 | | 1- | A | E7 |
| C 1454 | CHIP CAP. | 0.0033uF | 50V | B | GRM188B11H332KA01D | K22174831 | | 1- | A | E7 |
| C 1455 | CHIP CAP. | 0.022uF | 25V | B | GRM39B223K25PT | K22144807 | | 1- | A | E7 |
| C 1456 | CHIP TA.CAP. | 10uF | 10V | | TEMSVA1A106M-8R | K78100028 | | 1- | A | E7 |
| C 1456 | CHIP TA.CAP. | 47uF | 4V | | SK7-0G476M-RA | K78060048 | | 3- | A | E7 |
| C 1457 | CHIP TA.CAP. | 10uF | 10V | | TEMSVA1A106M-8R | K78100028 | | 1- | A | D7 |
| C 1458 | CHIP CAP. | 0.022uF | 25V | B | GRM39B223K25PT | K22144807 | | 1- | A | D7 |
| C 1459 | CHIP CAP. | 0.001uF | 50V | B | GRM188B11H102KA01D | K22174809 | | 1- | | |
| CF1001 | CERAMIC FILTER | | | | SFSRA6M50DF00-B0 | H3900560 | | 1- | A | E4 |
| D 1001 | DIODE | | | | IMN10 T108 | G2070078 | | 1- | A | B7 |
| D 1002 | DIODE | | | | RB521S-30 TE61 | G2070642 | | 1- | A | A4 |
| D 1003 | DIODE | | | | MC2848-T11-1 | G2070694 | | 1- | A | H2 |
| D 1004 | DIODE | | | | RB060L-40 TE25 | G2070744 | | 1- | A | A4 |
| D 1005 | DIODE | | | | RB521S-30 TE61 | G2070642 | | 1- | A | A4 |
| D 1006 | DIODE | | | | RLS245 TE-11 | G2070834 | | 1- | A | I1 |
| D 1007 | DIODE | | | | RLS245 TE-11 | G2070834 | | 1- | A | I1 |
| D 1008 | DIODE | | | | RLS245 TE-11 | G2070834 | | 1- | A | J1 |
| D 1009 | DIODE | | | | RLS245 TE-11 | G2070834 | | 1- | A | J1 |
| D 1010 | DIODE | | | | 1SS356TW11 | G2070468 | | 1- | A | H2 |
| D 1011 | DIODE | | | | 1SV271 TPH3 | G2070476 | | 1- | A | I2 |
| D 1012 | DIODE | | | | 1SV271 TPH3 | G2070476 | | 1- | A | F2 |
| D 1013 | DIODE | | | | 1SV271 TPH3 | G2070476 | | 1- | A | F2 |
| D 1014 | DIODE | | | | 1SV271 TPH3 | G2070476 | | 1- | A | G2 |
| D 1015 | DIODE | | | | 1SV271 TPH3 | G2070476 | | 1- | A | G2 |
| D 1016 | DIODE | | | | 1SV271 TPH3 | G2070476 | | 1- | A | H2 |
| D 1017 | DIODE | | | | 1SV271 TPH3 | G2070476 | | 1- | A | H2 |
| D 1018 | DIODE | | | | 1SV271 TPH3 | G2070476 | | 1- | A | I2 |
| D 1019 | DIODE | | | | 1SV271 TPH3 | G2070476 | | 1- | A | I2 |
| D 1020 | DIODE | | | | 1SS356TW11 | G2070468 | | 1- | A | F3 |
| D 1021 | DIODE | | | | 1SS356TW11 | G2070468 | | 1- | A | G3 |
| D 1022 | DIODE | | | | 1SS356TW11 | G2070468 | | 1- | A | G3 |
| D 1023 | DIODE | | | | 1SS356TW11 | G2070468 | | 1- | A | H3 |
| D 1024 | DIODE | | | | 1SS356TW11 | G2070468 | | 1- | A | I3 |
| D 1025 | DIODE | | | | 1SS356TW11 | G2070468 | | 1- | A | I3 |
| D 1026 | DIODE | | | | 1SS356TW11 | G2070468 | | 1- | A | H3 |
| D 1027 | DIODE | | | | 1SS356TW11 | G2070468 | | 1- | A | F3 |
| D 1028 | DIODE | | | | 1SS356TW11 | G2070468 | | 1- | A | I4 |
| D 1029 | DIODE | | | | 1SS356TW11 | G2070468 | | 1- | A | H4 |
| D 1030 | DIODE | | | | 1SV271 TPH3 | G2070476 | | 1- | A | H4 |
| D 1031 | DIODE | | | | DAN235U TL | G2070176 | | 1- | A | I5 |
| D 1032 | DIODE | | | | HSB88WSTR | G2070290 | | 1- | A | I6 |
| D 1033 | DIODE | | | | DAN235U TL | G2070176 | | 1- | A | I7 |
| D 1034 | DIODE | | | | DAN235U TL | G2070176 | | 1- | A | H7 |
| D 1035 | DIODE | | | | MC2848-T11-1 | G2070694 | | 1- | A | F4 |
| D 1036 | DIODE | | | | HZM7.5NB3-TL-E | G2070786 | | 1- | A | H6 |
| D 1037 | LED | | | | SML-210MTT86 | G2070524 | | 1- | A | C4 |
| D 1038 | LED | | | | SML-210MTT86 | G2070524 | | 1- | A | F1 |
| D 1039 | DIODE | | | | UDZS TE-17 5.6B | G2070910 | | 1- | A | I7 |
| D 1040 | DIODE | | | | RB521S-30 TE61 | G2070642 | | 1- | A | I7 |
| D 1041 | DIODE | | | | 1SS356TW11 | G2070468 | | 1- | A | H6 |
| D 1042 | DIODE | | | | 1SS356TW11 | G2070468 | | 1- | A | H6 |
| D 1043 | LED | | | | SML-210MTT86 | G2070524 | | 1- | A | F5 |
| D 1044 | DIODE | | | | MC2850-T11-1 | G2070704 | | 1- | A | C7 |
| D 1045 | DIODE | | | | MC2850-T11-1 | G2070704 | | 1- | A | D7 |
| D 1046 | DIODE | | | | DAP236U T106 | G2070592 | | 1- | A | G4 |

MAIN Unit

Parts List

| REF. | DESCRIPTION | VALUE | V/W | TOL. | MFR'S DESIG | VXSTD P/N | VERS. | LOT. | SIDE | LAY ADR |
|--------|-------------|-------|-------|------|--------------------------|-----------|-------|------|------|---------|
| D 1047 | DIODE | | | | HVU359TRF | G2070452 | | 1- | A | G4 |
| D 1048 | DIODE | | | | HVU359TRF | G2070452 | | 1- | A | H4 |
| D 1049 | DIODE | | | | HVU359TRF | G2070452 | | 1- | A | F4 |
| D 1050 | DIODE | | | | HVU359TRF | G2070452 | | 1- | A | F4 |
| D 1051 | DIODE | | | | HVU359TRF | G2070452 | | 1- | A | G4 |
| D 1052 | DIODE | | | | HVU359TRF | G2070452 | | 1- | A | H4 |
| D 1053 | DIODE | | | | HVU359TRF | G2070452 | | 1- | A | F4 |
| D 1054 | DIODE | | | | HVU359TRF | G2070452 | | 1- | A | F4 |
| D 1055 | DIODE | | | | D1F20-4063 | G2070474 | | 1- | A | J3 |
| D 1056 | DIODE | | | | HZM27WA-TR | G2070530 | | 1- | A | J3 |
| D 1059 | LED | | | | SML-210MTT86 | G2070524 | | 1- | A | E1 |
| D 1060 | LED | | | | SML-210VTT86 | G2070768 | | 1- | A | E1 |
| D 1061 | LED | | | | SML-210DTT86 | G2070772 | | 1- | A | E1 |
| D 1062 | DIODE | | | | RB521S-30 TE61 | G2070642 | | 1- | A | A2 |
| D 1063 | DIODE | | | | RB521S-30 TE61 | G2070642 | | 1- | A | C2 |
| D 1064 | DIODE | | | | HZM7.5NB3-TL-E | G2070786 | | 1- | A | H5 |
| D 1065 | DIODE | | | | UDZS TE-17 6.8B | G2070888 | | 1- | A | G6 |
| FB1001 | CHIP COIL | | | | BLM21PG300SN1D | L1690840 | | 1- | A | J3 |
| J 1001 | CONNECTOR | | | | TMP-J01X-A2 | P1090255 | | 1- | A | I1 |
| J 1001 | CONNECTOR | | | | SJ070010 | P1091262 | | 4- | A | I1 |
| J 1002 | CONNECTOR | | | | TMP-J01X-A2 | P1090255 | | 1- | A | G1 |
| J 1002 | CONNECTOR | | | | TMP-S01X-C1 | P1091254 | | 4- | A | G1 |
| J 1003 | CONNECTOR | | | | 30FLT-SM1-TB | P1091142 | | 1- | A | A2 |
| J 1004 | CONNECTOR | | | | 30FLT-SM1-TB | P1091142 | | 1- | A | A3 |
| J 1005 | CONNECTOR | | | | SB20-08WS | P0090615 | | 1- | A | C7 |
| J 1008 | CONNECTOR | | | | SB20-13WS | P0090620 | | 1- | A | H1 |
| J 1014 | CONNECTOR | | | | SG8035#01 | P1090350 | | 1- | A | K6 |
| J 1015 | CONNECTOR | | | | SG8035#01 | P1090350 | | 1- | A | K5 |
| J 1016 | CONNECTOR | | | | TCS7705-012010 | P1091203 | | 1- | A | J4 |
| J 1016 | CONNECTOR | | | | TCS7705-5120177 | P1091244 | | 4- | A | J4 |
| J 1017 | CONNECTOR | | | | CSK-M50-06 R41-0599D | P1090925 | | 1- | A | J2 |
| J 1018 | CONNECTOR | | | | M50-08-30-434S R41-0599F | P1091132 | | 1- | A | J3 |
| J 1019 | CONNECTOR | | | | 09FMN-BMTTN-TFT | P1091089 | | 1- | A | B5 |
| JP1003 | CHIP RES. | 0 | 1/16W | 5% | RMC1/16 000JATP | J24185000 | | 4- | A | D5 |
| JP1006 | CHIP RES. | 0 | 1/16W | 5% | RMC1/16 000JATP | J24185000 | | 4- | A | A4 |
| L 1001 | M.RFC | 100uH | | | FLC32T-101J | L1690227 | | 1- | A | B7 |
| L 1002 | M.RFC | 100uH | | | FLC32T-101J | L1690227 | | 1- | A | B7 |
| L 1003 | M.RFC | 100uH | | | FLC32T-101J | L1690227 | | 1- | A | B7 |
| L 1004 | M.RFC | 100uH | | | FLC32T-101J | L1690227 | | 1- | A | C7 |
| L 1005 | M.RFC | 180uH | | | FLC32T-181J | L1690230 | | 1- | A | H2 |
| L 1006 | M.RFC | 100uH | | | FLC32T-101J | L1690227 | | 1- | A | J1 |
| L 1007 | M.RFC | 470uH | | | FLC32T-471J | L1690235 | | 1- | A | F2 |
| L 1008 | CHIP COIL | 27uH | | | LQH32MN270K23L | L1690092 | | 1- | A | F2 |
| L 1009 | CHIP COIL | 18uH | | | LQH32MN180K23L | L1690090 | | 1- | A | G2 |
| L 1010 | CHIP COIL | 10uH | | | LQH32MN100K23L | L1690087 | | 1- | A | G2 |
| L 1011 | CHIP COIL | 5.6uH | | | LQH32MN5R6K23L | L1690084 | | 1- | A | H2 |
| L 1012 | CHIP COIL | 3.9uH | | | LQH32MN3R9M23L | L1690082 | | 1- | A | H2 |
| L 1013 | CHIP COIL | 2.2uH | | | LQH32MN2R2K23L | L1690079 | | 1- | A | H2 |
| L 1013 | CHIP COIL | 2.2uH | | 2% | C2520C-2R2G | L1691313 | | 4- | A | H2 |
| L 1014 | CHIP COIL | 1.5uH | | 2% | C2520C-1R5G | L1691311 | | 1- | A | I2 |
| L 1015 | CHIP COIL | 68uH | | | LQH32MN680K23L | L1690097 | | 1- | A | F3 |
| L 1016 | CHIP COIL | 39uH | | | LQH32MN390K23L | L1690094 | | 1- | A | G3 |
| L 1017 | CHIP COIL | 27uH | | | LQH32MN270K23L | L1690092 | | 1- | A | G3 |
| L 1018 | CHIP COIL | 22uH | | | LQH31MN220J03L | L1691005 | | 1- | A | H3 |
| L 1019 | CHIP COIL | 12uH | | | LQH31MN120J03L | L1691002 | | 1- | A | H3 |
| L 1020 | CHIP COIL | 6.8uH | | | C2520F-6R8K | L1690594 | | 1- | A | I3 |
| L 1021 | CHIP COIL | 4.7uH | | 2% | C2520C-4R7G | L1691317 | | 1- | A | I3 |
| L 1022 | CHIP COIL | 68uH | | | LQH32MN680K23L | L1690097 | | 1- | A | F3 |
| L 1023 | CHIP COIL | 15uH | | | LQH32MN150K23L | L1690089 | | 1- | A | F3 |

MAIN Unit

Parts List

| REF. | DESCRIPTION | VALUE | V/W | TOL. | MFR'S DESIG | VXSTD P/N | VERS. | LOT. | SIDE | LAY ADR |
|--------|-------------|---------|-----|------|----------------|-----------|-------|------|------|---------|
| L 1024 | CHIP COIL | 10uH | | | LQH32MN100K23L | L1690087 | | 1- | A | G3 |
| L 1025 | CHIP COIL | 5.6uH | | | LQH32MN5R6K23L | L1690084 | | 1- | A | G3 |
| L 1026 | CHIP COIL | 3.3uH | | | LQH32MN3R3K23L | L1690081 | | 1- | A | H3 |
| L 1027 | CHIP COIL | 1.8uH | | | LQH32MN1R8K23L | L1690078 | | 1- | A | H3 |
| L 1028 | CHIP COIL | 1.2uH | | | LQH32MN1R2M23L | L1690076 | | 1- | A | H3 |
| L 1028 | CHIP COIL | 1.2uH | | 2% | C2520C-1R2G | L1691310 | | 4- | A | H3 |
| L 1029 | CHIP COIL | 1uH | | 2% | C2520C-1R0G | L1691309 | | 1- | A | I3 |
| L 1030 | CHIP COIL | 68uH | | | LQH32MN680K23L | L1690097 | | 1- | A | F3 |
| L 1031 | CHIP COIL | 68uH | | | LQH32MN680K23L | L1690097 | | 1- | A | F3 |
| L 1032 | CHIP COIL | 39uH | | | LQH32MN390K23L | L1690094 | | 1- | A | G3 |
| L 1033 | CHIP COIL | 27uH | | | LQH32MN270K23L | L1690092 | | 1- | A | G3 |
| L 1034 | CHIP COIL | 18uH | | | LQH31MN180J03L | L1691004 | | 1- | A | H3 |
| L 1035 | CHIP COIL | 12uH | | | LQH31MN120J03L | L1691002 | | 1- | A | H3 |
| L 1036 | CHIP COIL | 6.8uH | | | C2520F-6R8K | L1690594 | | 1- | A | I3 |
| L 1037 | CHIP COIL | 4.7uH | | 2% | C2520C-4R7G | L1691317 | | 1- | A | I3 |
| L 1038 | M.RFC | 470uH | | | FLC32T-471J | L1690235 | | 1- | A | F3 |
| L 1039 | CHIP COIL | 27uH | | | LQH32MN270K23L | L1690092 | | 1- | A | F3 |
| L 1040 | CHIP COIL | 18uH | | | LQH32MN180K23L | L1690090 | | 1- | A | G3 |
| L 1041 | CHIP COIL | 10uH | | | LQH32MN100K23L | L1690087 | | 1- | A | G3 |
| L 1042 | CHIP COIL | 5.6uH | | | LQH32MN5R6K23L | L1690084 | | 1- | A | H3 |
| L 1043 | CHIP COIL | 3.9uH | | | LQH32MN3R9M23L | L1690082 | | 1- | A | H3 |
| L 1044 | CHIP COIL | 2.2uH | | | LQH32MN2R2K23L | L1690079 | | 1- | A | I3 |
| L 1044 | CHIP COIL | 2.2uH | | 2% | C2520C-2R2G | L1691313 | | 4- | A | I3 |
| L 1045 | CHIP COIL | 1.5uH | | 2% | C2520C-1R5G | L1691311 | | 1- | A | I3 |
| L 1046 | M.RFC | 100uH | | | FLC32T-101J | L1690227 | | 1- | A | B4 |
| L 1047 | CHIP COIL | 5.6uH | | | LQH31MN5R6J03L | L1690999 | | 1- | A | I4 |
| L 1048 | M.RFC | 10uH | | | FLC32T-100J | L1690215 | | 1- | A | J6 |
| L 1049 | CHIP COIL | 0.18uH | | | LQH32MNR18M23L | L1690069 | | 1- | A | I5 |
| L 1050 | CHIP COIL | 10uH | | | LQH32MN100K23L | L1690087 | | 1- | A | J5 |
| L 1051 | CHIP COIL | 0.22uH | | | C2520C-R22J | L1690548 | | 1- | A | I6 |
| L 1052 | CHIP COIL | 1mH | | | LQH43MN102K03L | L1690108 | | 1- | A | I7 |
| L 1053 | M.RFC | 180uH | | | FLC32T-181J | L1690230 | | 1- | A | H5 |
| L 1054 | M.RFC | 180uH | | | FLC32T-181J | L1690230 | | 1- | A | H6 |
| L 1055 | M.RFC | 180uH | | | FLC32T-181J | L1690230 | | 1- | A | H6 |
| L 1056 | M.RFC | 180uH | | | FLC32T-181J | L1690230 | | 1- | A | H6 |
| L 1057 | M.RFC | 180uH | | | FLC32T-181J | L1690230 | | 1- | A | F7 |
| L 1058 | M.RFC | 180uH | | | FLC32T-181J | L1690230 | | 1- | A | F7 |
| L 1059 | M.RFC | 100uH | | | FLC32T-101J | L1690227 | | 1- | A | F6 |
| L 1060 | M.RFC | 100uH | | | FLC32T-101J | L1690227 | | 1- | A | D5 |
| L 1063 | M.RFC | 3.3uH | | | FLC32T-3R3K | L1690209 | | 1- | A | G4 |
| L 1064 | M.RFC | 3.3uH | | | FLC32T-3R3K | L1690209 | | 1- | A | G4 |
| L 1065 | CHIP COIL | 2.2uH | | | C2520C-2R2K | L1690731 | | 1- | A | G5 |
| L 1066 | COIL 10RF | | | | 0.49U | L0021398 | | 1- | A | G4 |
| L 1067 | COIL 10RF | | | | 0.36U | L0021400 | | 1- | A | G4 |
| L 1068 | M.RFC | 4.7uH | | | FLC32T-4R7K | L1690211 | | 1- | A | G4 |
| L 1069 | M.RFC | 4.7uH | | | FLC32T-4R7K | L1690211 | | 1- | A | F4 |
| L 1070 | CHIP COIL | 0.15uH | | | C2520C-R15J | L1690546 | | 1- | A | G5 |
| L 1071 | CHIP COIL | 0.15uH | | | C2520C-R15J | L1690546 | | 1- | A | G5 |
| L 1072 | M.RFC | 4.7uH | | | FLC32T-4R7K | L1690211 | | 1- | A | H5 |
| L 1073 | M.RFC | 4.7uH | | | FLC32T-4R7K | L1690211 | | 1- | A | F5 |
| L 1074 | CHIP COIL | 0.12uH | | | C2520C-R12J | L1690545 | | 1- | A | H5 |
| L 1075 | CHIP COIL | 0.068uH | | | C2520C-68NK | L1690542 | | 1- | A | E6 |
| L 1076 | CHIP COIL | 0.12uH | | | C2520C-R12J | L1690545 | | 1- | A | H5 |
| L 1077 | CHIP COIL | 0.047uH | | | C2520C-47NK | L1690540 | | 1- | A | E6 |
| L 1078 | M.RFC | 180uH | | | FLC32T-181J | L1690230 | | 1- | A | D2 |
| L 1079 | M.RFC | 100uH | | | FLC32T-101J | L1690227 | | 1- | A | J2 |
| L 1080 | M.RFC | 100uH | | | FLC32T-101J | L1690227 | | 1- | A | C7 |
| L 1081 | M.RFC | 100uH | | | FLC32T-101J | L1690227 | | 1- | A | C7 |
| L 1082 | M.RFC | 100uH | | | FLC32T-101J | L1690227 | | 1- | A | J5 |

| REF. | DESCRIPTION | VALUE | V/W | TOL. | MFR'S DESIG | VXSTD P/N | VERS. | LOT. | SIDE | LAY ADR |
|--------|-------------|-------|-----|------|-----------------------|-----------|-------|------|------|---------|
| L 1083 | M.RFC | 100uH | | | FLC32T-101J | L1690227 | | 1- | A | J4 |
| L 1084 | M.RFC | 1.5uH | | | LK1608 1R5K-T | L1690846 | | 1- | A | E5 |
| Q 1001 | TRANSISTOR | | | | 2SC2954-T2 | G3329547 | | 1- | A | G1 |
| Q 1002 | TRANSISTOR | | | | 2SC2812NL6-TB | G3328128F | | 1- | A | H2 |
| Q 1003 | IC | | | | TD62783AFN(EL) | G1092700 | | 1- | A | B2 |
| Q 1004 | IC | | | | M51945BFP-600C | G1091990 | | 1- | A | A4 |
| Q 1005 | TRANSISTOR | | | | PDTC144EE | G3070244 | | 1- | A | H2 |
| Q 1006 | IC | | | | UPC2926T(TAPE) | G1093833 | | 1- | A | C5 |
| Q 1007 | IC | | | | KIA7808API | G1093164 | | 1- | A | A5 |
| Q 1008 | IC | | | | L78M05T-TL | G1091731 | | 1- | A | B5 |
| Q 1009 | TRANSISTOR | | | | PDTC144EE | G3070244 | | 1- | A | B3 |
| Q 1010 | TRANSISTOR | | | | 2SA1602A-T11-1F | G3116028F | | 1- | A | A3 |
| Q 1011 | IC | | | | TC4028BF(EL.N) | G1093433 | | 1- | A | B2 |
| Q 1012 | IC | | | | BA05FP-E2 | G1093209 | | 1- | A | A4 |
| Q 1013 | TRANSISTOR | | | | 2SC4047-TA | G3340477 | | 1- | A | A4 |
| Q 1014 | IC | | | | CD4094BPWR | G1093866 | | 1- | A | E3 |
| Q 1015 | IC | | | | BR24L64F-WE2 | G1093876 | | 1- | A | C3 |
| Q 1016 | TRANSISTOR | | | | 2SC2714YTE85R | G3327147Y | | 1- | A | I1 |
| Q 1017 | IC | | | | CD4094BPWR | G1093866 | | 1- | A | E2 |
| Q 1018 | IC | | | | HD64F2134ATF20(FLASH) | ✕ | | 1- | A | B3 |
| Q 1019 | TRANSISTOR | | | | DTC114EUA T106 | G3070084 | | 1- | A | C3 |
| Q 1020 | IC | | | | M62354FP-75NC | G1091842 | | 1- | A | B3 |
| Q 1021 | TRANSISTOR | | | | 2SC2714YTE85R | G3327147Y | | 1- | A | I4 |
| Q 1022 | FET | | | | 2SK520-T2B K41 | G3805207A | | 1- | A | I4 |
| Q 1023 | TRANSISTOR | | | | 2SC2714YTE85R | G3327147Y | | 1- | A | I1 |
| Q 1024 | FET | | | | 2SK520-T2B K41 | G3805207A | | 1- | A | I4 |
| Q 1025 | TRANSISTOR | | | | 2SC3357-T2 RF | G3333577F | | 1- | A | H4 |
| Q 1026 | TRANSISTOR | | | | 2SC2714YTE85R | G3327147Y | | 1- | A | H4 |
| Q 1027 | TRANSISTOR | | | | 2SC2714YTE85R | G3327147Y | | 1- | A | I6 |
| Q 1028 | TRANSISTOR | | | | 2SC3356-T2B R25 | G3333567E | | 1- | A | I6 |
| Q 1029 | TRANSISTOR | | | | 2SC2954-T2 | G3329547 | | 1- | A | I6 |
| Q 1030 | IC | | | | UPC4572G2-E2 | G1092042 | | 1- | A | F6 |
| Q 1032 | IC | | | | UPC4572G2-E2 | G1092042 | | 1- | A | C7 |
| Q 1033 | IC | | | | UPC4572G2-E2 | G1092042 | | 1- | A | D7 |
| Q 1034 | IC | | | | UPC4572G2-E2 | G1092042 | | 1- | A | F7 |
| Q 1035 | IC | | | | UPD77115GK-9EU | G1093832 | | 1- | A | B4 |
| Q 1036 | IC | | | | UPC4572G2-E2 | G1092042 | | 1- | A | E7 |
| Q 1037 | TRANSISTOR | | | | PDTC144EE | G3070244 | | 1- | A | H6 |
| Q 1038 | TRANSISTOR | | | | PDTC144EE | G3070244 | | 1- | A | C4 |
| Q 1039 | IC | | | | LM2904PWR | G1094010 | | 1- | A | E4 |
| Q 1040 | IC | | | | LM2904PWR | G1094010 | | 1- | A | F4 |
| Q 1041 | IC | | | | UPC4572G2-E2 | G1092042 | | 1- | A | E6 |
| Q 1043 | FET | | | | 3SK151GR TE85R | G4801517G | | 1- | A | H6 |
| Q 1044 | TRANSISTOR | | | | 2SC2812NL6-TB | G3328128F | | 1- | A | I7 |
| Q 1045 | TRANSISTOR | | | | PDTC144EE | G3070244 | | 1- | A | H6 |
| Q 1046 | TRANSISTOR | | | | 2SA1602A-T11-1F | G3116028F | | 1- | A | H6 |
| Q 1047 | TRANSISTOR | | | | PDTC144EE | G3070244 | | 1- | A | H6 |
| Q 1048 | TRANSISTOR | | | | 2SA1365-T12-2G | G3113657G | | 1- | A | H6 |
| Q 1049 | FET | | | | 3SK151GR TE85R | G4801517G | | 1- | A | G7 |
| Q 1050 | FET | | | | 3SK151GR TE85R | G4801517G | | 1- | A | G6 |
| Q 1052 | IC | | | | RF2713(TAPE) | G1093831 | | 1- | A | F6 |
| Q 1053 | TRANSISTOR | | | | PDTC144EE | G3070244 | | 1- | A | C2 |
| Q 1054 | IC | | | | RF2713(TAPE) | G1093831 | | 1- | A | F7 |
| Q 1055 | IC | | | | TDA2003H | G1090815 | | 1- | A | A6 |
| Q 1056 | IC | | | | ADF4001BRU | G1093977 | | 1- | A | F5 |
| Q 1059 | IC | | | | TC7S04FU TE85R | G1091530 | | 1- | A | E5 |
| Q 1060 | IC | | | | AD9833BRM(TAPE) | G1093580 | | 1- | A | E5 |
| Q 1062 | IC | | | | TC7S04FU TE85R | G1091530 | | 1- | A | D5 |
| Q 1063 | TRANSISTOR | | | | 2SC2714YTE85R | G3327147Y | | 1- | A | E5 |

✕: Please contact VERTEX STANDARD

MAIN Unit

Parts List

| REF. | DESCRIPTION | VALUE | V/W | TOL. | MFR'S DESIG | VXSTD P/N | VERS. | LOT. | SIDE | LAY ADR |
|--------|-------------|-------|-------|------|------------------|-----------|-------|------|------|---------|
| Q 1064 | TRANSISTOR | | | | 2SC2714YTE85R | G3327147Y | | 1- | A | F5 |
| Q 1065 | TRANSISTOR | | | | PDTC144EE | G3070244 | | 1- | A | G5 |
| Q 1066 | FET | | | | 2SK302Y TE85R | G3803027Y | | 1- | A | G5 |
| Q 1068 | TRANSISTOR | | | | PDTC144EE | G3070244 | | 1- | A | G5 |
| Q 1069 | TRANSISTOR | | | | PDTC144EE | G3070244 | | 1- | A | G5 |
| Q 1070 | TRANSISTOR | | | | 2SC2714YTE85R | G3327147Y | | 1- | A | D6 |
| Q 1071 | IC | | | | AK4528VF E2 | G1093829 | | 1- | A | D6 |
| Q 1072 | FET | | | | 2SK210GR TE85R | G3802107G | | 1- | A | G4 |
| Q 1073 | FET | | | | 2SK210GR TE85R | G3802107G | | 1- | A | F4 |
| Q 1074 | TRANSISTOR | | | | 2SC2714YTE85R | G3327147Y | | 1- | A | G5 |
| Q 1075 | TRANSISTOR | | | | 2SC2714YTE85R | G3327147Y | | 1- | A | E6 |
| Q 1076 | TRANSISTOR | | | | 2SD2211 T100 QR | G3422117Q | | 1- | A | J3 |
| Q 1078 | IC | | | | LM2904PWR | G1094010 | | 1- | A | B3 |
| Q 1079 | IC | | | | BU4052BCF-E2 | G1093661 | | 1- | A | D2 |
| Q 1080 | IC | | | | TC7ST08FU TE85R | G1092221 | | 1- | A | B4 |
| Q 1081 | IC | | | | AK4550VT | G1094072 | | 1- | A | D6 |
| Q 1082 | TRANSISTOR | | | | PDTC144EE | G3070244 | | 1- | A | E2 |
| Q 1083 | TRANSISTOR | | | | PDTC144EE | G3070244 | | 1- | A | E2 |
| Q 1084 | TRANSISTOR | | | | PDTC144EE | G3070244 | | 1- | A | E2 |
| Q 1088 | IC | | | | TC74HC4040AF TP2 | G1091457 | | 1- | A | C6 |
| Q 1089 | IC | | | | TC7W04FU TE12R | G1091539 | | 1- | A | C6 |
| Q 1090 | POLY SWITCH | | | | RUE250 | G9090135 | | 1- | A | J5 |
| Q 1091 | FET | | | | 2SJ125D-T12-1D | G3701257D | | 1- | A | J2 |
| Q 1092 | FET | | | | 2SJ125D-T12-1D | G3701257D | | 1- | A | B7 |
| R 1001 | CHIP RES. | 270 | 1/16W | 5% | RMC1/16 271JATP | J24185271 | | 1- | A | G2 |
| R 1002 | CHIP RES. | 18 | 1/16W | 5% | RMC1/16 180JATP | J24185180 | | 1- | A | G2 |
| R 1003 | CHIP RES. | 270 | 1/16W | 5% | RMC1/16 271JATP | J24185271 | | 1- | A | G2 |
| R 1004 | CHIP RES. | 10k | 1/16W | 5% | RMC1/16 103JATP | J24185103 | | 1- | A | C2 |
| R 1005 | CHIP RES. | 100k | 1/16W | 5% | RMC1/16 104JATP | J24185104 | | 1- | A | C2 |
| R 1006 | CHIP RES. | 100 | 1/16W | 5% | RMC1/16 101JATP | J24185101 | | 1- | A | G2 |
| R 1007 | CHIP RES. | 10k | 1/16W | 5% | RMC1/16 103JATP | J24185103 | | 1- | A | C3 |
| R 1008 | CHIP RES. | 47 | 1/16W | 5% | RMC1/16 470JATP | J24185470 | | 1- | A | C7 |
| R 1009 | CHIP RES. | 100k | 1/16W | 5% | RMC1/16 104JATP | J24185104 | | 1- | A | C2 |
| R 1010 | CHIP RES. | 4.7k | 1/16W | 5% | RMC1/16 472JATP | J24185472 | | 1- | A | C4 |
| R 1011 | CHIP RES. | 10 | 1/16W | 5% | RMC1/16 100JATP | J24185100 | | 1- | A | H1 |
| R 1012 | CHIP RES. | 220 | 1/16W | 5% | RMC1/16 221JATP | J24185221 | | 1- | A | H1 |
| R 1013 | CHIP RES. | 10k | 1/16W | 5% | RMC1/16 103JATP | J24185103 | | 1- | A | H2 |
| R 1014 | CHIP RES. | 10k | 1/16W | 5% | RMC1/16 103JATP | J24185103 | | 1- | A | H2 |
| R 1015 | CHIP RES. | 1.8k | 1/16W | 5% | RMC1/16 182JATP | J24185182 | | 1- | A | G1 |
| R 1016 | CHIP RES. | 12k | 1/16W | 5% | RMC1/16 123JATP | J24185123 | | 1- | A | H2 |
| R 1017 | CHIP RES. | 10k | 1/16W | 5% | RMC1/16 103JATP | J24185103 | | 1- | A | H2 |
| R 1018 | CHIP RES. | 1.8k | 1/16W | 5% | RMC1/16 182JATP | J24185182 | | 1- | A | H1 |
| R 1019 | CHIP RES. | 15k | 1/16W | 5% | RMC1/16 153JATP | J24185153 | | 1- | A | H2 |
| R 1020 | CHIP RES. | 8.2k | 1/16W | 5% | RMC1/16 822JATP | J24185822 | | 1- | A | A4 |
| R 1021 | CHIP RES. | 1.8k | 1/16W | 5% | RMC1/16 182JATP | J24185182 | | 1- | A | A4 |
| R 1022 | CHIP RES. | 3.9k | 1/16W | 5% | RMC1/16 392JATP | J24185392 | | 1- | A | H2 |
| R 1023 | CHIP RES. | 10k | 1/16W | 5% | RMC1/16 103JATP | J24185103 | | 1- | A | H2 |
| R 1024 | CHIP RES. | 100k | 1/16W | 5% | RMC1/16 104JATP | J24185104 | | 1- | A | B3 |
| R 1025 | CHIP RES. | 6.8k | 1/16W | 5% | RMC1/16 682JATP | J24185682 | | 1- | A | B3 |
| R 1026 | CHIP RES. | 47k | 1/16W | 5% | RMC1/16 473JATP | J24185473 | | 1- | A | A4 |
| R 1027 | CHIP RES. | 47k | 1/16W | 5% | RMC1/16 473JATP | J24185473 | | 1- | A | A4 |
| R 1028 | CHIP RES. | 2.2k | 1/16W | 5% | RMC1/16 222JATP | J24185222 | | 1- | A | I1 |
| R 1029 | CHIP RES. | 100 | 1/16W | 5% | RMC1/16 101JATP | J24185101 | | 1- | A | J1 |
| R 1030 | CHIP RES. | 470 | 1/16W | 5% | RMC1/16 471JATP | J24185471 | | 1- | A | E2 |
| R 1031 | CHIP RES. | 470 | 1/16W | 5% | RMC1/16 471JATP | J24185471 | | 1- | A | E3 |
| R 1032 | CHIP RES. | 10k | 1/16W | 5% | RMC1/16 103JATP | J24185103 | | 1- | A | C3 |
| R 1033 | CHIP RES. | 1.8k | 1/16W | 5% | RMC1/16 182JATP | J24185182 | | 1- | A | I2 |
| R 1034 | CHIP RES. | 4.7k | 1/16W | 5% | RMC1/16 472JATP | J24185472 | | 1- | A | I2 |
| R 1035 | CHIP RES. | 4.7k | 1/16W | 5% | RMC1/16 472JATP | J24185472 | | 1- | A | I2 |

| REF. | DESCRIPTION | VALUE | V/W | TOL. | MFR'S DESIG | VXSTD P/N | VERS. | LOT. | SIDE | LAY ADR |
|--------|-------------|-------|-------|------|-----------------|-----------|-------|------|------|---------|
| R 1036 | CHIP RES. | 3.3k | 1/16W | 5% | RMC1/16 332JATP | J24185332 | | 1- | A | B4 |
| R 1037 | CHIP RES. | 3.3k | 1/16W | 5% | RMC1/16 332JATP | J24185332 | | 1- | A | B4 |
| R 1038 | CHIP RES. | 3.3k | 1/16W | 5% | RMC1/16 332JATP | J24185332 | | 1- | A | B4 |
| R 1039 | CHIP RES. | 3.3k | 1/16W | 5% | RMC1/16 332JATP | J24185332 | | 1- | A | B4 |
| R 1040 | CHIP RES. | 3.3k | 1/16W | 5% | RMC1/16 332JATP | J24185332 | | 1- | A | B4 |
| R 1041 | CHIP RES. | 3.3k | 1/16W | 5% | RMC1/16 332JATP | J24185332 | | 1- | A | B4 |
| R 1042 | CHIP RES. | 3.3k | 1/16W | 5% | RMC1/16 332JATP | J24185332 | | 1- | A | B4 |
| R 1043 | CHIP RES. | 3.3k | 1/16W | 5% | RMC1/16 332JATP | J24185332 | | 1- | A | B4 |
| R 1044 | CHIP RES. | 68 | 1/4W | 5% | RMC1/4 680JATP | J24245680 | | 1- | A | F2 |
| R 1045 | CHIP RES. | 68 | 1/4W | 5% | RMC1/4 680JATP | J24245680 | | 1- | A | F2 |
| R 1046 | CHIP RES. | 68 | 1/4W | 5% | RMC1/4 680JATP | J24245680 | | 1- | A | G2 |
| R 1047 | CHIP RES. | 68 | 1/4W | 5% | RMC1/4 680JATP | J24245680 | | 1- | A | G2 |
| R 1048 | CHIP RES. | 68 | 1/4W | 5% | RMC1/4 680JATP | J24245680 | | 1- | A | H2 |
| R 1049 | CHIP RES. | 68 | 1/4W | 5% | RMC1/4 680JATP | J24245680 | | 1- | A | H2 |
| R 1050 | CHIP RES. | 68 | 1/4W | 5% | RMC1/4 680JATP | J24245680 | | 1- | A | I2 |
| R 1051 | CHIP RES. | 68 | 1/4W | 5% | RMC1/4 680JATP | J24245680 | | 1- | A | I2 |
| R 1052 | CHIP RES. | 47k | 1/16W | 5% | RMC1/16 473JATP | J24185473 | | 1- | A | C3 |
| R 1053 | CHIP RES. | 470 | 1/16W | 5% | RMC1/16 471JATP | J24185471 | | 1- | A | E2 |
| R 1054 | CHIP RES. | 2.2k | 1/16W | 5% | RMC1/16 222JATP | J24185222 | | 1- | A | F2 |
| R 1055 | CHIP RES. | 560 | 1/16W | 5% | RMC1/16 561JATP | J24185561 | | 1- | A | F2 |
| R 1056 | CHIP RES. | 47k | 1/16W | 5% | RMC1/16 473JATP | J24185473 | | 1- | A | C3 |
| R 1057 | CHIP RES. | 47k | 1/16W | 5% | RMC1/16 473JATP | J24185473 | | 1- | A | C3 |
| R 1059 | CHIP RES. | 3.3k | 1/16W | 5% | RMC1/16 332JATP | J24185332 | | 1- | A | B3 |
| R 1060 | CHIP RES. | 3.3k | 1/16W | 5% | RMC1/16 332JATP | J24185332 | | 1- | A | B4 |
| R 1061 | CHIP RES. | 3.3k | 1/16W | 5% | RMC1/16 332JATP | J24185332 | | 1- | A | B3 |
| R 1062 | CHIP RES. | 3.3k | 1/16W | 5% | RMC1/16 332JATP | J24185332 | | 1- | A | B4 |
| R 1063 | CHIP RES. | 3.3k | 1/16W | 5% | RMC1/16 332JATP | J24185332 | | 1- | A | B4 |
| R 1064 | CHIP RES. | 3.3k | 1/16W | 5% | RMC1/16 332JATP | J24185332 | | 1- | A | B3 |
| R 1065 | CHIP RES. | 3.3k | 1/16W | 5% | RMC1/16 332JATP | J24185332 | | 1- | A | B4 |
| R 1066 | CHIP RES. | 3.3k | 1/16W | 5% | RMC1/16 332JATP | J24185332 | | 1- | A | B3 |
| R 1067 | CHIP RES. | 1k | 1/16W | 5% | RMC1/16 102JATP | J24185102 | | 1- | A | I4 |
| R 1068 | CHIP RES. | 1k | 1/16W | 5% | RMC1/16 102JATP | J24185102 | | 1- | A | I4 |
| R 1069 | CHIP RES. | 10k | 1/16W | 5% | RMC1/16 103JATP | J24185103 | | 1- | A | I4 |
| R 1070 | CHIP RES. | 3.3k | 1/16W | 5% | RMC1/16 332JATP | J24185332 | | 1- | A | B4 |
| R 1071 | CHIP RES. | 3.3k | 1/16W | 5% | RMC1/16 332JATP | J24185332 | | 1- | A | B3 |
| R 1072 | CHIP RES. | 4.7k | 1/16W | 5% | RMC1/16 472JATP | J24185472 | | 1- | A | C2 |
| R 1073 | CHIP RES. | 2.2k | 1/16W | 5% | RMC1/16 222JATP | J24185222 | | 1- | A | I4 |
| R 1074 | CHIP RES. | 68k | 1/16W | 5% | RMC1/16 683JATP | J24185683 | | 1- | A | I4 |
| R 1075 | CHIP RES. | 4.7k | 1/16W | 5% | RMC1/16 472JATP | J24185472 | | 1- | A | H4 |
| R 1076 | CHIP RES. | 2.2k | 1/16W | 5% | RMC1/16 222JATP | J24185222 | | 1- | A | H4 |
| R 1077 | CHIP RES. | 100 | 1/16W | 5% | RMC1/16 101JATP | J24185101 | | 1- | A | H4 |
| R 1078 | CHIP RES. | 22 | 1/16W | 5% | RMC1/16 220JATP | J24185220 | | 1- | A | H4 |
| R 1079 | CHIP RES. | 0 | 1/16W | 5% | RMC1/16 000JATP | J24185000 | | 1- | A | B4 |
| R 1080 | CHIP RES. | 3.3k | 1/16W | 5% | RMC1/16 332JATP | J24185332 | | 1- | A | B3 |
| R 1081 | CHIP RES. | 3.3k | 1/16W | 5% | RMC1/16 332JATP | J24185332 | | 1- | A | B4 |
| R 1082 | CHIP RES. | 4.7k | 1/16W | 5% | RMC1/16 472JATP | J24185472 | | 1- | A | H4 |
| R 1083 | CHIP RES. | 3.3k | 1/16W | 5% | RMC1/16 332JATP | J24185332 | | 1- | A | B3 |
| R 1084 | CHIP RES. | 150 | 1/16W | 5% | RMC1/16 151JATP | J24185151 | | 1- | A | I4 |
| R 1085 | CHIP RES. | 470 | 1/16W | 5% | RMC1/16 471JATP | J24185471 | | 1- | A | H4 |
| R 1086 | CHIP RES. | 4.7k | 1/16W | 5% | RMC1/16 472JATP | J24185472 | | 1- | A | I1 |
| R 1087 | CHIP RES. | 22k | 1/16W | 5% | RMC1/16 223JATP | J24185223 | | 1- | A | H4 |
| R 1088 | CHIP RES. | 270 | 1/4W | 5% | RMC1/4 271JATP | J24245271 | | 1- | A | H4 |
| R 1089 | CHIP RES. | 2.2M | 1/16W | 5% | RMC1/16 225JATP | J24185225 | | 1- | A | I4 |
| R 1090 | CHIP RES. | 3.3k | 1/16W | 5% | RMC1/16 332JATP | J24185332 | | 1- | A | B4 |
| R 1091 | CHIP RES. | 10k | 1/16W | 5% | RMC1/16 103JATP | J24185103 | | 1- | A | H4 |
| R 1092 | CHIP RES. | 3.3k | 1/16W | 5% | RMC1/16 332JATP | J24185332 | | 1- | A | B3 |
| R 1093 | CHIP RES. | 470 | 1/16W | 5% | RMC1/16 471JATP | J24185471 | | 1- | A | H4 |
| R 1094 | CHIP RES. | 820 | 1/16W | 5% | RMC1/16 821JATP | J24185821 | | 1- | A | I4 |
| R 1095 | CHIP RES. | 4.7k | 1/16W | 5% | RMC1/16 472JATP | J24185472 | | 1- | A | I2 |

MAIN Unit

Parts List

| REF. | DESCRIPTION | VALUE | V/W | TOL. | MFR'S DESIG | VXSTD P/N | VERS. | LOT. | SIDE | LAY ADR |
|--------|-------------|-------|-------|------|-----------------|-----------|-------|------|------|---------|
| R 1096 | CHIP RES. | 56 | 1/16W | 5% | RMC1/16 560JATP | J24185560 | | 1- | A | I6 |
| R 1097 | CHIP RES. | 390 | 1/16W | 5% | RMC1/16 391JATP | J24185391 | | 1- | A | H4 |
| R 1098 | CHIP RES. | 2.2k | 1/16W | 5% | RMC1/16 222JATP | J24185222 | | 1- | A | H4 |
| R 1099 | CHIP RES. | 100 | 1/16W | 5% | RMC1/16 101JATP | J24185101 | | 1- | A | I5 |
| R 1100 | CHIP RES. | 10k | 1/16W | 5% | RMC1/16 103JATP | J24185103 | | 1- | A | I6 |
| R 1101 | CHIP RES. | 8.2k | 1/16W | 5% | RMC1/16 822JATP | J24185822 | | 1- | A | H4 |
| R 1102 | CHIP RES. | 4.7k | 1/16W | 5% | RMC1/16 472JATP | J24185472 | | 1- | A | H4 |
| R 1103 | CHIP RES. | 56 | 1/16W | 5% | RMC1/16 560JATP | J24185560 | | 1- | A | H5 |
| R 1104 | CHIP RES. | 560 | 1/16W | 5% | RMC1/16 561JATP | J24185561 | | 1- | A | J6 |
| R 1105 | CHIP RES. | 82 | 1/16W | 5% | RMC1/16 820JATP | J24185820 | | 1- | A | I6 |
| R 1106 | CHIP RES. | 390 | 1/16W | 5% | RMC1/16 391JATP | J24185391 | | 1- | A | J6 |
| R 1107 | CHIP RES. | 3.3k | 1/16W | 5% | RMC1/16 332JATP | J24185332 | | 1- | A | B4 |
| R 1108 | CHIP RES. | 100 | 1/16W | 5% | RMC1/16 101JATP | J24185101 | | 1- | A | J6 |
| R 1109 | CHIP RES. | 10k | 1/16W | 5% | RMC1/16 103JATP | J24185103 | | 1- | A | A3 |
| R 1110 | CHIP RES. | 10k | 1/16W | 5% | RMC1/16 103JATP | J24185103 | | 1- | A | A2 |
| R 1111 | CHIP RES. | 4.7k | 1/16W | 5% | RMC1/16 472JATP | J24185472 | | 1- | A | C4 |
| R 1112 | CHIP RES. | 10k | 1/16W | 5% | RMC1/16 103JATP | J24185103 | | 1- | A | B5 |
| R 1113 | CHIP RES. | 56 | 1/16W | 5% | RMC1/16 560JATP | J24185560 | | 1- | A | H5 |
| R 1114 | CHIP RES. | 2.2k | 1/16W | 5% | RMC1/16 222JATP | J24185222 | | 1- | A | I5 |
| R 1115 | CHIP RES. | 10 | 1/16W | 5% | RMC1/16 100JATP | J24185100 | | 1- | A | I6 |
| R 1116 | CHIP RES. | 560 | 1/16W | 5% | RMC1/16 561JATP | J24185561 | | 1- | A | J6 |
| R 1117 | CHIP RES. | 1k | 1/16W | 5% | RMC1/16 102JATP | J24185102 | | 1- | A | J6 |
| R 1118 | CHIP RES. | 3.3k | 1/16W | 5% | RMC1/16 332JATP | J24185332 | | 1- | A | B4 |
| R 1119 | CHIP RES. | 10 | 1/16W | 5% | RMC1/16 100JATP | J24185100 | | 1- | A | B2 |
| R 1120 | CHIP RES. | 5.6k | 1/16W | 5% | RMC1/16 562JATP | J24185562 | | 1- | A | J6 |
| R 1121 | CHIP RES. | 3.3k | 1/16W | 5% | RMC1/16 332JATP | J24185332 | | 1- | A | J6 |
| R 1122 | CHIP RES. | 100 | 1/16W | 5% | RMC1/16 101JATP | J24185101 | | 1- | A | I6 |
| R 1123 | CHIP RES. | 220 | 1/16W | 5% | RMC1/16 221JATP | J24185221 | | 1- | A | I5 |
| R 1124 | CHIP RES. | 47k | 1/16W | 5% | RMC1/16 473JATP | J24185473 | | 1- | A | C5 |
| R 1125 | CHIP RES. | 47k | 1/16W | 5% | RMC1/16 473JATP | J24185473 | | 1- | A | C5 |
| R 1126 | CHIP RES. | 120 | 1/16W | 5% | RMC1/16 121JATP | J24185121 | | 1- | A | I6 |
| R 1127 | CHIP RES. | 4.7k | 1/16W | 5% | RMC1/16 472JATP | J24185472 | | 1- | A | C4 |
| R 1128 | CHIP RES. | 3.3k | 1/16W | 5% | RMC1/16 332JATP | J24185332 | | 1- | A | I7 |
| R 1129 | CHIP RES. | 4.7k | 1/16W | 5% | RMC1/16 472JATP | J24185472 | | 1- | A | C4 |
| R 1130 | CHIP RES. | 100k | 1/16W | 5% | RMC1/16 104JATP | J24185104 | | 1- | A | F4 |
| R 1131 | CHIP RES. | 47k | 1/16W | 5% | RMC1/16 473JATP | J24185473 | | 1- | A | F4 |
| R 1132 | CHIP RES. | 100k | 1/16W | 5% | RMC1/16 104JATP | J24185104 | | 1- | A | F3 |
| R 1133 | CHIP RES. | 10k | 1/16W | 5% | RMC1/16 103JATP | J24185103 | | 1- | A | F3 |
| R 1134 | CHIP RES. | 4.7k | 1/16W | 5% | RMC1/16 472JATP | J24185472 | | 1- | A | C4 |
| R 1135 | CHIP RES. | 470 | 1/16W | 5% | RMC1/16 471JATP | J24185471 | | 1- | A | H7 |
| R 1136 | CHIP RES. | 4.7k | 1/16W | 5% | RMC1/16 472JATP | J24185472 | | 1- | A | C4 |
| R 1137 | CHIP RES. | 47k | 1/16W | 5% | RMC1/16 473JATP | J24185473 | | 1- | A | F4 |
| R 1138 | CHIP RES. | 47k | 1/16W | 5% | RMC1/16 473JATP | J24185473 | | 1- | A | F3 |
| R 1139 | CHIP RES. | 10k | 1/16W | 5% | RMC1/16 103JATP | J24185103 | | 1- | A | B5 |
| R 1140 | CHIP RES. | 150k | 1/16W | 5% | RMC1/16 154JATP | J24185154 | | 1- | A | F3 |
| R 1141 | CHIP RES. | 150k | 1/16W | 5% | RMC1/16 154JATP | J24185154 | | 1- | A | F4 |
| R 1142 | CHIP RES. | 220 | 1/16W | 5% | RMC1/16 221JATP | J24185221 | | 1- | A | I7 |
| R 1144 | CHIP RES. | 100 | 1/16W | 5% | RMC1/16 101JATP | J24185101 | | 1- | A | I6 |
| R 1145 | CHIP RES. | 3.3k | 1/16W | 5% | RMC1/16 332JATP | J24185332 | | 1- | A | B4 |
| R 1146 | CHIP RES. | 22k | 1/16W | 5% | RMC1/16 223JATP | J24185223 | | 1- | A | I6 |
| R 1147 | CHIP RES. | 3.3k | 1/16W | 5% | RMC1/16 332JATP | J24185332 | | 1- | A | H7 |
| R 1148 | CHIP RES. | 47k | 1/16W | 5% | RMC1/16 473JATP | J24185473 | | 1- | A | C4 |
| R 1149 | CHIP RES. | 82 | 1/16W | 5% | RMC1/16 820JATP | J24185820 | | 1- | A | H6 |
| R 1150 | CHIP RES. | 820 | 1/16W | 5% | RMC1/16 821JATP | J24185821 | | 1- | A | H6 |
| R 1151 | CHIP RES. | 47k | 1/16W | 5% | RMC1/16 473JATP | J24185473 | | 1- | A | H7 |
| R 1152 | CHIP RES. | 12k | 1/16W | 5% | RMC1/16 123JATP | J24185123 | | 1- | A | I6 |
| R 1153 | CHIP RES. | 47k | 1/16W | 5% | RMC1/16 473JATP | J24185473 | | 1- | A | C4 |
| R 1154 | CHIP RES. | 4.7k | 1/16W | 5% | RMC1/16 472JATP | J24185472 | | 1- | A | I7 |
| R 1155 | CHIP RES. | 4.7k | 1/16W | 5% | RMC1/16 472JATP | J24185472 | | 1- | A | H6 |

Parts List

| REF. | DESCRIPTION | VALUE | V/W | TOL. | MFR'S DESIG | VXSTD P/N | VERS. | LOT. | SIDE | LAY ADR |
|--------|-------------|-------|-------|------|-----------------|-----------|-------|------|------|---------|
| R 1156 | CHIP RES. | 1.2k | 1/16W | 5% | RMC1/16 122JATP | J24185122 | | 1- | A | H6 |
| R 1157 | CHIP RES. | 3.3k | 1/16W | 5% | RMC1/16 332JATP | J24185332 | | 1- | A | I7 |
| R 1158 | CHIP RES. | 1.5M | 1/16W | 5% | RMC1/16 155JATP | J24185155 | | 1- | A | I7 |
| R 1158 | CHIP RES. | 1M | 1/16W | 5% | RMC1/16 105JATP | J24185105 | | 3- | A | I7 |
| R 1159 | CHIP RES. | 47k | 1/16W | 5% | RMC1/16 473JATP | J24185473 | | 1- | A | B4 |
| R 1160 | CHIP RES. | 47k | 1/16W | 5% | RMC1/16 473JATP | J24185473 | | 1- | A | C4 |
| R 1161 | CHIP RES. | 47k | 1/16W | 5% | RMC1/16 473JATP | J24185473 | | 1- | A | C4 |
| R 1162 | CHIP RES. | 47k | 1/16W | 5% | RMC1/16 473JATP | J24185473 | | 1- | A | C4 |
| R 1163 | CHIP RES. | 47k | 1/16W | 5% | RMC1/16 473JATP | J24185473 | | 1- | A | C4 |
| R 1164 | CHIP RES. | 47k | 1/16W | 5% | RMC1/16 473JATP | J24185473 | | 1- | A | C4 |
| R 1165 | CHIP RES. | 470 | 1/16W | 5% | RMC1/16 471JATP | J24185471 | | 1- | A | C4 |
| R 1166 | CHIP RES. | 330 | 1/16W | 5% | RMC1/16 331JATP | J24185331 | | 1- | A | F1 |
| R 1167 | CHIP RES. | 4.7k | 1/16W | 5% | RMC1/16 472JATP | J24185472 | | 1- | A | I7 |
| R 1168 | CHIP RES. | 0 | 1/16W | 5% | RMC1/16 000JATP | J24185000 | | 1- | A | C5 |
| R 1169 | CHIP RES. | 3.3M | 1/16W | 5% | RMC1/16 335JATP | J24185335 | | 1- | A | C4 |
| R 1170 | CHIP RES. | 0 | 1/16W | 5% | RMC1/16 000JATP | J24185000 | | 1- | A | I7 |
| R 1171 | CHIP RES. | 3.9k | 1/16W | 5% | RMC1/16 392JATP | J24185392 | | 1- | A | H6 |
| R 1172 | CHIP RES. | 100 | 1/16W | 5% | RMC1/16 101JATP | J24185101 | | 1- | A | H6 |
| R 1173 | CHIP RES. | 6.8 | 1/16W | 5% | RMC1/16 6R8JATP | J24185689 | | 1- | A | H7 |
| R 1174 | CHIP RES. | 150 | 1/16W | 5% | RMC1/16 151JATP | J24185151 | | 1- | A | G7 |
| R 1175 | CHIP RES. | 6.8 | 1/16W | 5% | RMC1/16 6R8JATP | J24185689 | | 1- | A | G7 |
| R 1176 | CHIP RES. | 150 | 1/16W | 5% | RMC1/16 151JATP | J24185151 | | 1- | A | G7 |
| R 1177 | CHIP RES. | 100 | 1/16W | 5% | RMC1/16 101JATP | J24185101 | | 1- | A | G7 |
| R 1178 | CHIP RES. | 10k | 1/16W | 5% | RMC1/16 103JATP | J24185103 | | 1- | A | H6 |
| R 1179 | CHIP RES. | 1k | 1/16W | 5% | RMC1/16 102JATP | J24185102 | | 1- | A | G6 |
| R 1180 | CHIP RES. | 2.2k | 1/16W | 5% | RMC1/16 222JATP | J24185222 | | 1- | A | H6 |
| R 1181 | CHIP RES. | 100k | 1/16W | 5% | RMC1/16 104JATP | J24185104 | | 1- | A | H5 |
| R 1182 | CHIP RES. | 6.8k | 1/16W | 5% | RMC1/16 682JATP | J24185682 | | 1- | A | H5 |
| R 1183 | CHIP RES. | 68k | 1/16W | 5% | RMC1/16 683JATP | J24185683 | | 1- | A | G6 |
| R 1184 | CHIP RES. | 1k | 1/16W | 5% | RMC1/16 102JATP | J24185102 | | 1- | A | G6 |
| R 1185 | CHIP RES. | 22 | 1/16W | 5% | RMC1/16 220JATP | J24185220 | | 1- | A | G7 |
| R 1187 | CHIP RES. | 10k | 1/16W | 5% | RMC1/16 103JATP | J24185103 | | 1- | A | G7 |
| R 1188 | CHIP RES. | 1.5k | 1/16W | 5% | RMC1/16 152JATP | J24185152 | | 1- | A | G7 |
| R 1189 | CHIP RES. | 10 | 1/16W | 5% | RMC1/16 100JATP | J24185100 | | 1- | A | G6 |
| R 1190 | CHIP RES. | 270 | 1/16W | 5% | RMC1/16 271JATP | J24185271 | | 1- | A | G6 |
| R 1191 | CHIP RES. | 100k | 1/16W | 5% | RMC1/16 104JATP | J24185104 | | 1- | A | H5 |
| R 1192 | CHIP RES. | 15k | 1/16W | 5% | RMC1/16 153JATP | J24185153 | | 1- | A | H5 |
| R 1193 | CHIP RES. | 10k | 1/16W | 5% | RMC1/16 103JATP | J24185103 | | 1- | A | G7 |
| R 1194 | CHIP RES. | 4.7k | 1/16W | 5% | RMC1/16 472JATP | J24185472 | | 1- | A | G7 |
| R 1196 | CHIP RES. | 100 | 1/16W | 5% | RMC1/16 101JATP | J24185101 | | 1- | A | G6 |
| R 1198 | CHIP RES. | 220 | 1/10W | 5% | RMC1/10T 221J | J24205221 | | 1- | A | A7 |
| R 1199 | CHIP RES. | 47k | 1/16W | 5% | RMC1/16 473JATP | J24185473 | | 1- | A | C2 |
| R 1200 | CHIP RES. | 4.7 | 1/10W | 5% | RMC1/10T 4R7J | J24205479 | | 1- | A | A7 |
| R 1201 | CHIP RES. | 1k | 1/16W | 5% | RMC1/16 102JATP | J24185102 | | 1- | A | G7 |
| R 1202 | CHIP RES. | 56 | 1/16W | 5% | RMC1/16 560JATP | J24185560 | | 1- | A | F6 |
| R 1203 | CHIP RES. | 220 | 1/4W | 5% | RMC1/4 221JATP | J24245221 | | 1- | A | A7 |
| R 1204 | CHIP RES. | 4.7 | 1/10W | 5% | RMC1/10T 4R7J | J24205479 | | 1- | A | A7 |
| R 1205 | CHIP RES. | 330 | 1/16W | 5% | RMC1/16 331JATP | J24185331 | | 1- | A | F7 |
| R 1206 | CHIP RES. | 330 | 1/16W | 5% | RMC1/16 331JATP | J24185331 | | 1- | A | F7 |
| R 1207 | CHIP RES. | 470 | 1/16W | 5% | RMC1/16 471JATP | J24185471 | | 1- | A | F5 |
| R 1208 | CHIP RES. | 220 | 1/16W | 5% | RMC1/16 221JATP | J24185221 | | 1- | A | E6 |
| R 1209 | CHIP RES. | 220 | 1/16W | 5% | RMC1/16 221JATP | J24185221 | | 1- | A | E6 |
| R 1210 | CHIP RES. | 47k | 1/16W | 5% | RMC1/16 473JATP | J24185473 | | 1- | A | C2 |
| R 1211 | CHIP RES. | 470 | 1/16W | 5% | RMC1/16 471JATP | J24185471 | | 1- | A | E1 |
| R 1213 | CHIP RES. | 33k | 1/16W | 5% | RMC1/16 333JATP | J24185333 | | 1- | A | F6 |
| R 1214 | CHIP RES. | 33k | 1/16W | 5% | RMC1/16 333JATP | J24185333 | | 1- | A | F6 |
| R 1215 | CHIP RES. | 10k | 1/16W | 5% | RMC1/16 103JATP | J24185103 | | 1- | A | F5 |
| R 1216 | CHIP RES. | 10 | 1/16W | 5% | RMC1/16 100JATP | J24185100 | | 1- | A | D5 |
| R 1217 | CHIP RES. | 220 | 1/16W | 5% | RMC1/16 221JATP | J24185221 | | 1- | A | F5 |

MAIN Unit

Parts List

| REF. | DESCRIPTION | VALUE | V/W | TOL. | MFR'S DESIG | VXSTD P/N | VERS. | LOT. | SIDE | LAY ADR |
|--------|-------------|-------|-------|------|-----------------|-----------|-------|------|------|---------|
| R 1218 | CHIP RES. | 220 | 1/16W | 5% | RMC1/16 221JATP | J24185221 | | 1- | A | F5 |
| R 1220 | CHIP RES. | 220 | 1/16W | 5% | RMC1/16 221JATP | J24185221 | | 1- | A | F5 |
| R 1221 | CHIP RES. | 2.2k | 1/16W | 5% | RMC1/16 222JATP | J24185222 | | 1- | A | F5 |
| R 1222 | CHIP RES. | 2.2k | 1/16W | 5% | RMC1/16 222JATP | J24185222 | | 1- | A | F5 |
| R 1223 | CHIP RES. | 220 | 1/16W | 5% | RMC1/16 221JATP | J24185221 | | 1- | A | E5 |
| R 1224 | CHIP RES. | 220 | 1/16W | 5% | RMC1/16 221JATP | J24185221 | | 1- | A | E5 |
| R 1225 | CHIP RES. | 220 | 1/16W | 5% | RMC1/16 221JATP | J24185221 | | 1- | A | E5 |
| R 1226 | CHIP RES. | 15k | 1/16W | 5% | RMC1/16 153JATP | J24185153 | | 1- | A | F6 |
| R 1226 | CHIP RES. | 33k | 1/16W | 5% | RMC1/16 333JATP | J24185333 | | 3- | A | F6 |
| R 1227 | CHIP RES. | 15k | 1/16W | 5% | RMC1/16 153JATP | J24185153 | | 1- | A | F6 |
| R 1227 | CHIP RES. | 33k | 1/16W | 5% | RMC1/16 333JATP | J24185333 | | 3- | A | F6 |
| R 1229 | CHIP RES. | 470 | 1/16W | 5% | RMC1/16 471JATP | J24185471 | | 1- | A | E1 |
| R 1230 | CHIP RES. | 10k | 1/16W | 5% | RMC1/16 103JATP | J24185103 | | 1- | A | C2 |
| R 1231 | CHIP RES. | 1M | 1/16W | 5% | RMC1/16 105JATP | J24185105 | | 1- | A | E5 |
| R 1232 | CHIP RES. | 3.9k | 1/16W | 5% | RMC1/16 392JATP | J24185392 | | 1- | A | D7 |
| R 1233 | CHIP RES. | 1k | 1/16W | 5% | RMC1/16 102JATP | J24185102 | | 1- | A | F5 |
| R 1234 | CHIP RES. | 3.9k | 1/16W | 5% | RMC1/16 392JATP | J24185392 | | 1- | A | C7 |
| R 1236 | CHIP RES. | 100 | 1/16W | 5% | RMC1/16 101JATP | J24185101 | | 1- | A | E5 |
| R 1237 | CHIP RES. | 15k | 1/16W | 5% | RMC1/16 153JATP | J24185153 | | 1- | A | E7 |
| R 1239 | CHIP RES. | 1k | 1/16W | 5% | RMC1/16 102JATP | J24185102 | | 1- | A | E5 |
| R 1240 | CHIP RES. | 100k | 1/16W | 5% | RMC1/16 104JATP | J24185104 | | 1- | A | E5 |
| R 1243 | CHIP RES. | 15k | 1/16W | 5% | RMC1/16 153JATP | J24185153 | | 1- | A | E7 |
| R 1244 | CHIP RES. | 100 | 1/16W | 5% | RMC1/16 101JATP | J24185101 | | 1- | A | G5 |
| R 1245 | CHIP RES. | 470 | 1/16W | 5% | RMC1/16 471JATP | J24185471 | | 1- | A | F5 |
| R 1246 | CHIP RES. | 100k | 1/16W | 5% | RMC1/16 104JATP | J24185104 | | 1- | A | G5 |
| R 1247 | CHIP RES. | 1k | 1/16W | 5% | RMC1/16 102JATP | J24185102 | | 1- | A | F5 |
| R 1248 | CHIP RES. | 1M | 1/16W | 5% | RMC1/16 105JATP | J24185105 | | 1- | A | D5 |
| R 1252 | CHIP RES. | 12k | 1/16W | 5% | RMC1/16 123JATP | J24185123 | | 1- | A | E7 |
| R 1253 | CHIP RES. | 3.3k | 1/16W | 5% | RMC1/16 332JATP | J24185332 | | 1- | A | C7 |
| R 1254 | CHIP RES. | 3.3k | 1/16W | 5% | RMC1/16 332JATP | J24185332 | | 1- | A | D7 |
| R 1255 | CHIP RES. | 4.7k | 1/16W | 5% | RMC1/16 472JATP | J24185472 | | 1- | A | E7 |
| R 1256 | CHIP RES. | 4.7k | 1/16W | 5% | RMC1/16 472JATP | J24185472 | | 1- | A | F7 |
| R 1259 | CHIP RES. | 100k | 1/16W | 5% | RMC1/16 104JATP | J24185104 | | 1- | A | C2 |
| R 1260 | CHIP RES. | 100k | 1/16W | 5% | RMC1/16 104JATP | J24185104 | | 1- | A | C2 |
| R 1261 | CHIP RES. | 100 | 1/16W | 5% | RMC1/16 101JATP | J24185101 | | 1- | A | G5 |
| R 1262 | CHIP RES. | 390 | 1/16W | 5% | RMC1/16 391JATP | J24185391 | | 1- | A | G5 |
| R 1263 | CHIP RES. | 100k | 1/16W | 5% | RMC1/16 104JATP | J24185104 | | 1- | A | C2 |
| R 1264 | CHIP RES. | 100k | 1/16W | 5% | RMC1/16 104JATP | J24185104 | | 1- | A | C2 |
| R 1265 | CHIP RES. | 100k | 1/16W | 5% | RMC1/16 104JATP | J24185104 | | 1- | A | C7 |
| R 1266 | CHIP RES. | 100k | 1/16W | 5% | RMC1/16 104JATP | J24185104 | | 1- | A | D7 |
| R 1267 | CHIP RES. | 180 | 1/16W | 5% | RMC1/16 181JATP | J24185181 | | 1- | A | F7 |
| R 1268 | CHIP RES. | 180 | 1/16W | 5% | RMC1/16 181JATP | J24185181 | | 1- | A | F7 |
| R 1269 | CHIP RES. | 100k | 1/16W | 5% | RMC1/16 104JATP | J24185104 | | 1- | A | G5 |
| R 1270 | CHIP RES. | 100 | 1/16W | 5% | RMC1/16 101JATP | J24185101 | | 1- | A | G4 |
| R 1272 | CHIP RES. | 4.7k | 1/16W | 5% | RMC1/16 472JATP | J24185472 | | 1- | A | G5 |
| R 1273 | CHIP RES. | 22k | 1/16W | 5% | RMC1/16 223JATP | J24185223 | | 1- | A | G5 |
| R 1274 | CHIP RES. | 180 | 1/16W | 5% | RMC1/16 181JATP | J24185181 | | 1- | A | F7 |
| R 1275 | CHIP RES. | 180 | 1/16W | 5% | RMC1/16 181JATP | J24185181 | | 1- | A | F7 |
| R 1279 | CHIP RES. | 10k | 1/16W | 5% | RMC1/16 103JATP | J24185103 | | 1- | A | E7 |
| R 1280 | CHIP RES. | 10k | 1/16W | 5% | RMC1/16 103JATP | J24185103 | | 1- | A | F7 |
| R 1281 | CHIP RES. | 4.7k | 1/16W | 5% | RMC1/16 472JATP | J24185472 | | 1- | A | F7 |
| R 1282 | CHIP RES. | 10k | 1/16W | 5% | RMC1/16 103JATP | J24185103 | | 1- | A | E7 |
| R 1283 | CHIP RES. | 10k | 1/16W | 5% | RMC1/16 103JATP | J24185103 | | 1- | A | F7 |
| R 1284 | CHIP RES. | 4.7k | 1/16W | 5% | RMC1/16 472JATP | J24185472 | | 1- | A | F7 |
| R 1285 | CHIP RES. | 10k | 1/16W | 5% | RMC1/16 103JATP | J24185103 | | 1- | A | F6 |
| R 1286 | CHIP RES. | 10k | 1/16W | 5% | RMC1/16 103JATP | J24185103 | | 1- | A | F6 |
| R 1287 | CHIP RES. | 1.8k | 1/16W | 5% | RMC1/16 182JATP | J24185182 | | 1- | A | C7 |
| R 1288 | CHIP RES. | 5.6k | 1/16W | 5% | RMC1/16 562JATP | J24185562 | | 1- | A | D7 |
| R 1289 | CHIP RES. | 150 | 1/16W | 5% | RMC1/16 151JATP | J24185151 | | 1- | A | G5 |

| REF. | DESCRIPTION | VALUE | V/W | TOL. | MFR'S DESIG | VXSTD P/N | VERS. | LOT. | SIDE | LAY ADR |
|--------|-------------|-------|-------|------|-----------------|-----------|-------|------|------|---------|
| R 1290 | CHIP RES. | 100k | 1/16W | 5% | RMC1/16 104JATP | J24185104 | | 1- | A | D6 |
| R 1291 | CHIP RES. | 10k | 1/16W | 5% | RMC1/16 103JATP | J24185103 | | 1- | A | D5 |
| R 1292 | CHIP RES. | 10 | 1/16W | 5% | RMC1/16 100JATP | J24185100 | | 1- | A | D6 |
| R 1293 | CHIP RES. | 150 | 1/16W | 5% | RMC1/16 151JATP | J24185151 | | 1- | A | G5 |
| R 1294 | CHIP RES. | 1k | 1/16W | 5% | RMC1/16 102JATP | J24185102 | | 1- | A | D7 |
| R 1295 | CHIP RES. | 1k | 1/16W | 5% | RMC1/16 102JATP | J24185102 | | 1- | A | D7 |
| R 1296 | CHIP RES. | 100 | 1/16W | 5% | RMC1/16 101JATP | J24185101 | | 1- | A | D5 |
| R 1297 | CHIP RES. | 22k | 1/16W | 5% | RMC1/16 223JATP | J24185223 | | 1- | A | G4 |
| R 1298 | CHIP RES. | 22k | 1/16W | 5% | RMC1/16 223JATP | J24185223 | | 1- | A | F5 |
| R 1299 | CHIP RES. | 10k | 1/16W | 5% | RMC1/16 103JATP | J24185103 | | 1- | A | E6 |
| R 1300 | CHIP RES. | 10k | 1/16W | 5% | RMC1/16 103JATP | J24185103 | | 1- | A | E6 |
| R 1301 | CHIP RES. | 1k | 1/16W | 5% | RMC1/16 102JATP | J24185102 | | 1- | A | D7 |
| R 1302 | CHIP RES. | 1k | 1/16W | 5% | RMC1/16 102JATP | J24185102 | | 1- | A | D7 |
| R 1303 | CHIP RES. | 330 | 1/16W | 5% | RMC1/16 331JATP | J24185331 | | 1- | A | E6 |
| R 1304 | CHIP RES. | 330 | 1/16W | 5% | RMC1/16 331JATP | J24185331 | | 1- | A | F6 |
| R 1305 | CHIP RES. | 330 | 1/16W | 5% | RMC1/16 331JATP | J24185331 | | 1- | A | E7 |
| R 1306 | CHIP RES. | 330 | 1/16W | 5% | RMC1/16 331JATP | J24185331 | | 1- | A | F6 |
| R 1307 | CHIP RES. | 68k | 1/16W | 5% | RMC1/16 683JATP | J24185683 | | 1- | A | G5 |
| R 1308 | CHIP RES. | 10 | 1/16W | 5% | RMC1/16 100JATP | J24185100 | | 1- | A | E6 |
| R 1309 | CHIP RES. | 100k | 1/16W | 5% | RMC1/16 104JATP | J24185104 | | 1- | A | G4 |
| R 1310 | CHIP RES. | 100k | 1/16W | 5% | RMC1/16 104JATP | J24185104 | | 1- | A | F4 |
| R 1311 | CHIP RES. | 220 | 1/16W | 5% | RMC1/16 221JATP | J24185221 | | 1- | A | E7 |
| R 1312 | CHIP RES. | 220 | 1/16W | 5% | RMC1/16 221JATP | J24185221 | | 1- | A | E7 |
| R 1313 | CHIP RES. | 47 | 1/16W | 5% | RMC1/16 470JATP | J24185470 | | 1- | A | G5 |
| R 1314 | CHIP RES. | 100 | 1/16W | 5% | RMC1/16 101JATP | J24185101 | | 1- | A | G5 |
| R 1315 | CHIP RES. | 100 | 1/16W | 5% | RMC1/16 101JATP | J24185101 | | 1- | A | E7 |
| R 1316 | CHIP RES. | 100k | 1/16W | 5% | RMC1/16 104JATP | J24185104 | | 1- | A | D6 |
| R 1317 | CHIP RES. | 100 | 1/16W | 5% | RMC1/16 101JATP | J24185101 | | 1- | A | E5 |
| R 1318 | CHIP RES. | 220 | 1/16W | 5% | RMC1/16 221JATP | J24185221 | | 1- | A | E6 |
| R 1319 | CHIP RES. | 22 | 1/16W | 5% | RMC1/16 220JATP | J24185220 | | 1- | A | E6 |
| R 1320 | CHIP RES. | 470 | 1/4W | 5% | RMC1/4 471JATP | J24245471 | | 1- | A | I3 |
| R 1321 | CHIP RES. | 220 | 1/16W | 5% | RMC1/16 221JATP | J24185221 | | 1- | A | J3 |
| R 1322 | CHIP RES. | 220 | 1/16W | 5% | RMC1/16 221JATP | J24185221 | | 1- | A | J3 |
| R 1323 | CHIP RES. | 220 | 1/16W | 5% | RMC1/16 221JATP | J24185221 | | 1- | A | H5 |
| R 1324 | CHIP RES. | 220 | 1/16W | 5% | RMC1/16 221JATP | J24185221 | | 1- | A | F5 |
| R 1325 | CHIP RES. | 1k | 1/16W | 5% | RMC1/16 102JATP | J24185102 | | 1- | A | J2 |
| R 1326 | CHIP RES. | 470 | 1/16W | 5% | RMC1/16 471JATP | J24185471 | | 1- | A | J2 |
| R 1327 | CHIP RES. | 1k | 1/16W | 5% | RMC1/16 102JATP | J24185102 | | 1- | A | J2 |
| R 1328 | CHIP RES. | 1k | 1/16W | 5% | RMC1/16 102JATP | J24185102 | | 1- | A | J2 |
| R 1329 | CHIP RES. | 1k | 1/16W | 5% | RMC1/16 102JATP | J24185102 | | 1- | A | J2 |
| R 1330 | CHIP RES. | 1k | 1/16W | 5% | RMC1/16 102JATP | J24185102 | | 1- | A | J3 |
| R 1331 | CHIP RES. | 1k | 1/16W | 5% | RMC1/16 102JATP | J24185102 | | 1- | A | J3 |
| R 1333 | CHIP RES. | 1k | 1/16W | 5% | RMC1/16 102JATP | J24185102 | | 1- | A | J4 |
| R 1334 | CHIP RES. | 1k | 1/16W | 5% | RMC1/16 102JATP | J24185102 | | 1- | A | J4 |
| R 1335 | CHIP RES. | 1k | 1/16W | 5% | RMC1/16 102JATP | J24185102 | | 1- | A | J4 |
| R 1336 | CHIP RES. | 1k | 1/16W | 5% | RMC1/16 102JATP | J24185102 | | 1- | A | J4 |
| R 1337 | CHIP RES. | 1k | 1/16W | 5% | RMC1/16 102JATP | J24185102 | | 1- | A | J4 |
| R 1338 | CHIP RES. | 1k | 1/16W | 5% | RMC1/16 102JATP | J24185102 | | 1- | A | J4 |
| R 1339 | CHIP RES. | 1k | 1/16W | 5% | RMC1/16 102JATP | J24185102 | | 1- | A | J4 |
| R 1340 | CHIP RES. | 10k | 1/16W | 5% | RMC1/16 103JATP | J24185103 | | 1- | A | A3 |
| R 1341 | CHIP RES. | 1k | 1/16W | 5% | RMC1/16 102JATP | J24185102 | | 1- | A | A3 |
| R 1342 | CHIP RES. | 100k | 1/16W | 5% | RMC1/16 104JATP | J24185104 | | 1- | A | A3 |
| R 1343 | CHIP RES. | 22k | 1/16W | 5% | RMC1/16 223JATP | J24185223 | | 1- | A | A2 |
| R 1344 | CHIP RES. | 1 | 1W | 5% | RMC1 1R0JTE | J24305010 | | 1- | A | B6 |
| R 1346 | CHIP RES. | 100k | 1/16W | 5% | RMC1/16 104JATP | J24185104 | | 1- | A | J4 |
| R 1347 | CHIP RES. | 100k | 1/16W | 5% | RMC1/16 104JATP | J24185104 | | 1- | A | C2 |
| R 1352 | CHIP RES. | 47k | 1/16W | 5% | RMC1/16 473JATP | J24185473 | | 1- | A | C2 |
| R 1353 | CHIP RES. | 100k | 1/16W | 5% | RMC1/16 104JATP | J24185104 | | 1- | A | B2 |
| R 1354 | CHIP RES. | 100k | 1/16W | 5% | RMC1/16 104JATP | J24185104 | | 1- | A | E3 |

MAIN Unit

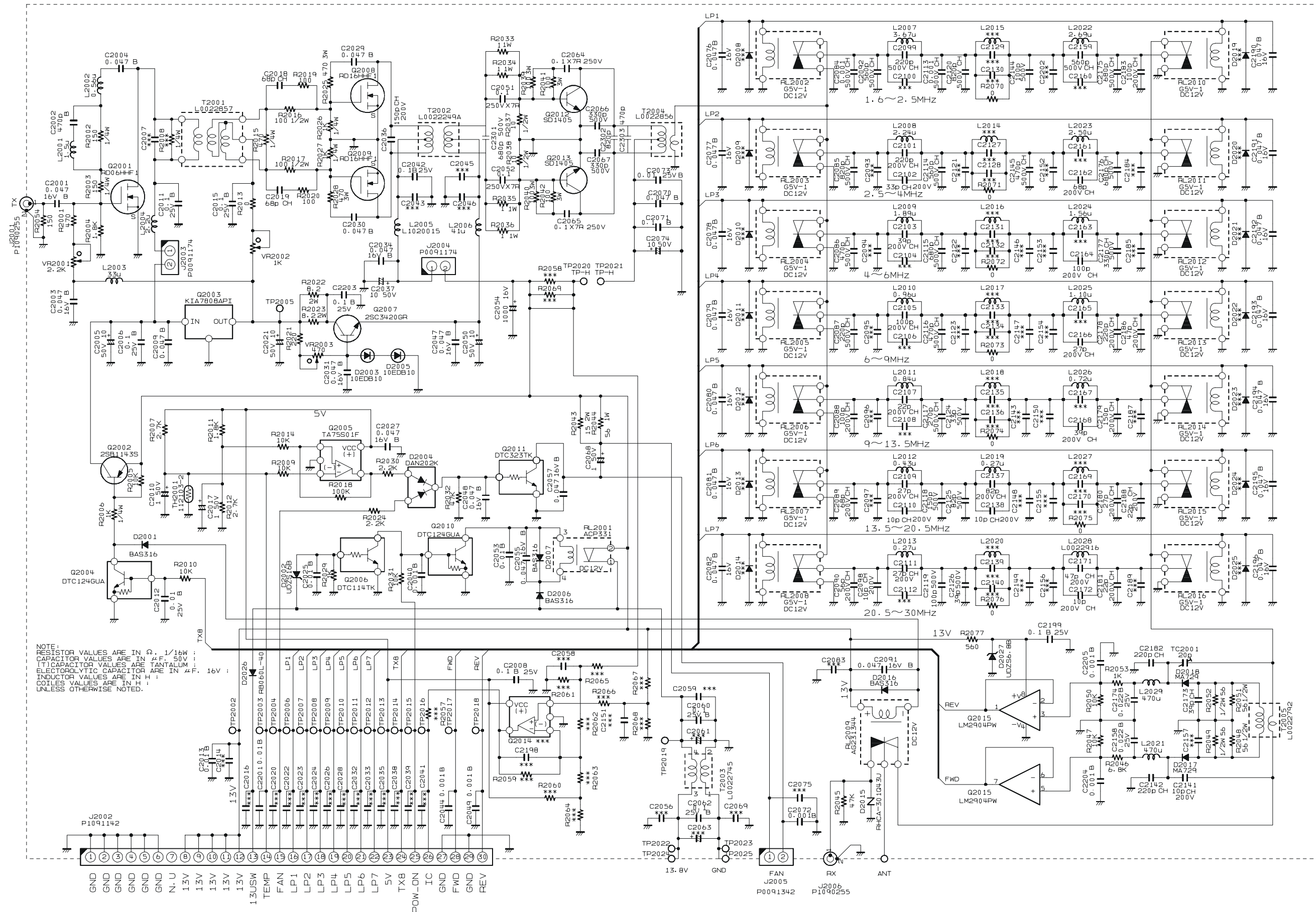
Parts List

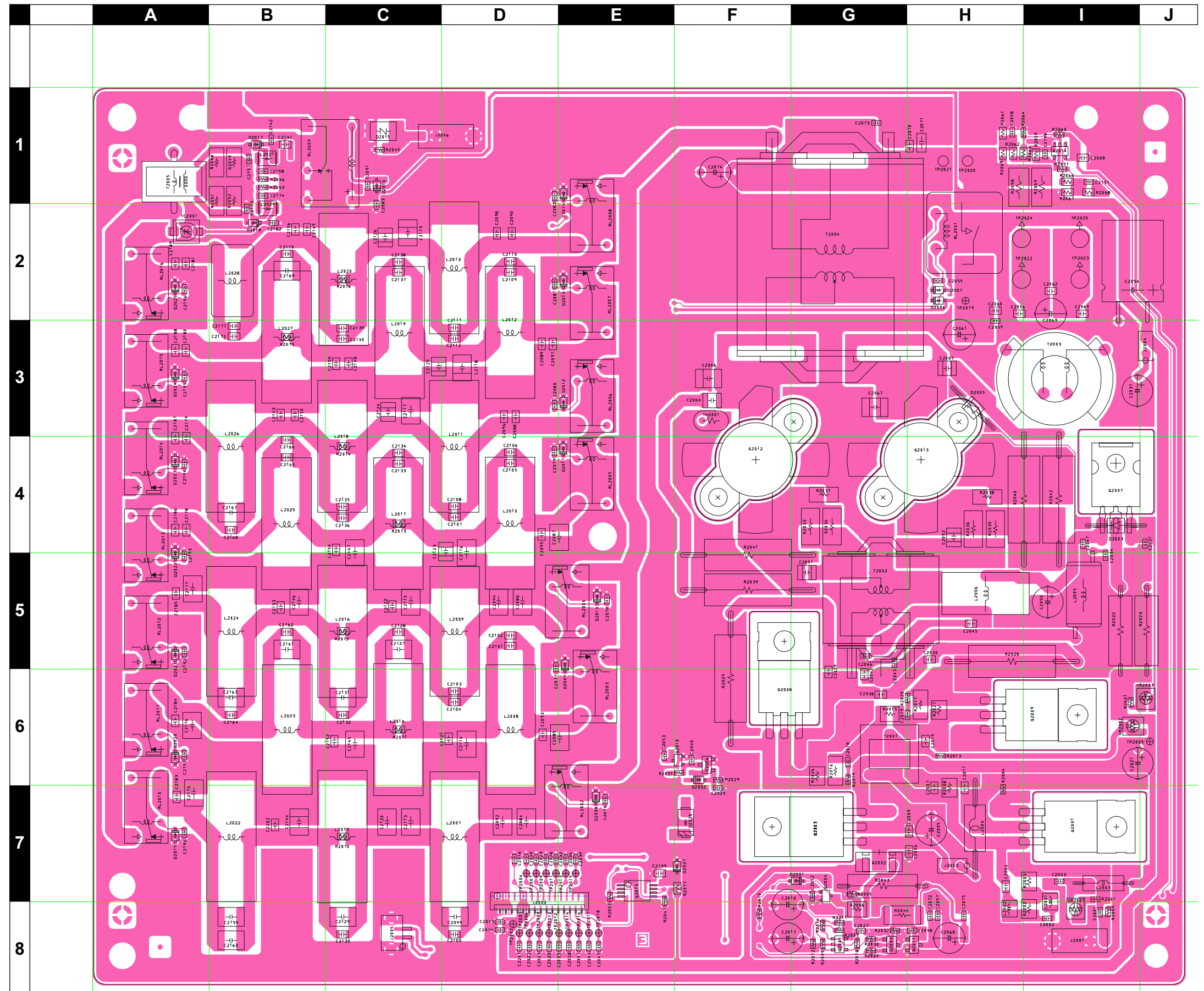
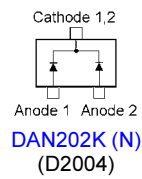
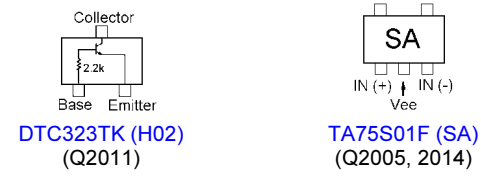
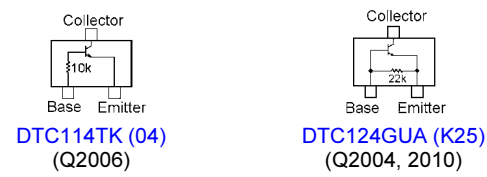
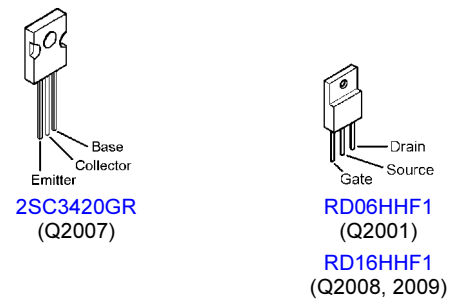
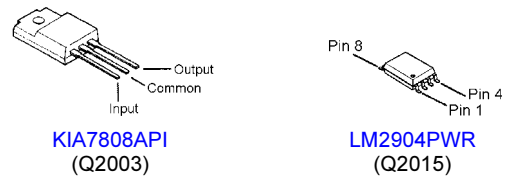
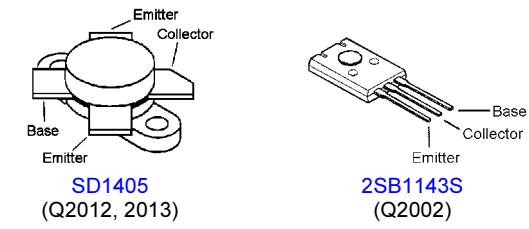
| REF. | DESCRIPTION | VALUE | V/W | TOL. | MFR'S DESIG | VXSTD P/N | VERS. | LOT. | SIDE | LAY ADR |
|--------|------------------|-----------|-------|------|----------------------|-----------|-------|------|------|---------|
| R 1355 | CHIP RES. | 100k | 1/16W | 5% | RMC1/16 104JATP | J24185104 | | 1- | A | E3 |
| R 1356 | CHIP RES. | 47k | 1/16W | 5% | RMC1/16 473JATP | J24185473 | | 1- | A | E3 |
| R 1357 | CHIP RES. | 47k | 1/16W | 5% | RMC1/16 473JATP | J24185473 | | 1- | A | E3 |
| R 1358 | CHIP RES. | 47k | 1/16W | 5% | RMC1/16 473JATP | J24185473 | | 1- | A | E4 |
| R 1359 | CHIP RES. | 10k | 1/16W | 5% | RMC1/16 103JATP | J24185103 | | 1- | A | E4 |
| R 1360 | CHIP RES. | 220 | 1/16W | 5% | RMC1/16 221JATP | J24185221 | | 1- | A | H4 |
| R 1361 | CHIP RES. | 100 | 1/16W | 5% | RMC1/16 101JATP | J24185101 | | 1- | A | C3 |
| R 1361 | CHIP RES. | 0 | 1/16W | 5% | RMC1/16 000JATP | J24185000 | | 3- | A | C3 |
| R 1362 | CHIP RES. | 4.7k | 1/16W | 5% | RMC1/16 472JATP | J24185472 | | 1- | A | B2 |
| R 1364 | CHIP RES. | 470 | 1/16W | 5% | RMC1/16 471JATP | J24185471 | | 1- | A | C7 |
| R 1365 | CHIP RES. | 470 | 1/16W | 5% | RMC1/16 471JATP | J24185471 | | 1- | A | D7 |
| R 1366 | CHIP RES. | 470 | 1/16W | 5% | RMC1/16 471JATP | J24185471 | | 1- | A | E1 |
| R 1367 | CHIP RES. | 1k | 1/16W | 5% | RMC1/16 102JATP | J24185102 | | 1- | A | F7 |
| R 1368 | CHIP RES. | 1k | 1/16W | 5% | RMC1/16 102JATP | J24185102 | | 1- | A | F7 |
| R 1369 | CHIP RES. | 33k | 1/16W | 5% | RMC1/16 333JATP | J24185333 | | 1- | A | I1 |
| R 1370 | CHIP RES. | 33k | 1/16W | 5% | RMC1/16 333JATP | J24185333 | | 1- | A | I1 |
| R 1371 | CHIP RES. | 33k | 1/16W | 5% | RMC1/16 333JATP | J24185333 | | 1- | A | G1 |
| R 1372 | CHIP RES. | 33k | 1/16W | 5% | RMC1/16 333JATP | J24185333 | | 1- | A | H1 |
| R 1373 | CHIP RES. | 10k | 1/16W | 5% | RMC1/16 103JATP | J24185103 | | 1- | A | G1 |
| R 1374 | CHIP RES. | 10k | 1/16W | 5% | RMC1/16 103JATP | J24185103 | | 1- | A | G1 |
| R 1375 | CHIP RES. | 47k | 1/16W | 5% | RMC1/16 473JATP | J24185473 | | 1- | A | D7 |
| R 1376 | CHIP RES. | 0 | 1/16W | 5% | RMC1/16 000JATP | J24185000 | | 1- | A | H1 |
| R 1377 | CHIP RES. | 1k | 1/16W | 5% | RMC1/16 102JATP | J24185102 | | 1- | A | I3 |
| R 1378 | CHIP RES. | 100k | 1/16W | 5% | RMC1/16 104JATP | J24185104 | | 1- | A | I2 |
| R 1379 | CHIP RES. | 33k | 1/16W | 5% | RMC1/16 333JATP | J24185333 | | 1- | A | B7 |
| R 1379 | CHIP RES. | 18k | 1/16W | 5% | RMC1/16 183JATP | J24185183 | | 3- | A | B7 |
| R 1380 | CHIP RES. | 68k | 1/16W | 5% | RMC1/16 683JATP | J24185683 | | 1- | A | B7 |
| R 1381 | CHIP RES. | 100k | 1/16W | 5% | RMC1/16 104JATP | J24185104 | | 1- | A | B7 |
| R 1382 | CHIP RES. | 8.2k | 1/16W | 5% | RMC1/16 822JATP | J24185822 | | 1- | A | B6 |
| R 1383 | CHIP RES. | 12k | 1/16W | 5% | RMC1/16 123JATP | J24185123 | | 1- | A | E7 |
| R 1384 | CHIP RES. | 220 | 1/16W | 5% | RMC1/16 221JATP | J24185221 | | 1- | A | E7 |
| R 1385 | CHIP RES. | 220 | 1/16W | 5% | RMC1/16 221JATP | J24185221 | | 1- | A | E7 |
| R 1386 | CHIP RES. | 220 | 1/16W | 5% | RMC1/16 221JATP | J24185221 | | 1- | A | D7 |
| R 1387 | CHIP RES. | 220 | 1/16W | 5% | RMC1/16 221JATP | J24185221 | | 1- | A | D7 |
| R 1388 | CHIP RES. | 2.7k | 1/16W | 5% | RMC1/16 272JATP | J24185272 | | 1- | A | A2 |
| R 1389 | CHIP RES. | 4.7k | 1/16W | 5% | RMC1/16 472JATP | J24185472 | | 1- | A | G7 |
| R 1390 | CHIP RES. | 4.7k | 1/16W | 5% | RMC1/16 472JATP | J24185472 | | 1- | A | G7 |
| R 1391 | CARBON FILM RES. | 100k | 1/6W | 5% | RD16PJ104 100K | J01225104 | | 1- | | |
| R 1392 | CARBON FILM RES. | 100k | 1/6W | 5% | RD16PJ104 100K | J01225104 | | 1- | | |
| R 1393 | CHIP RES. | 2.2k | 1/16W | 5% | RMC1/16 222JATP | J24185222 | | 1- | | |
| R 1998 | CHIP RES. | 0 | 1/16W | 5% | RMC1/16 000JATP | J24185000 | | 1-3 | | |
| R 1999 | CHIP RES. | 0 | 1/16W | 5% | RMC1/16 000JATP | J24185000 | | 1-3 | | |
| S 1001 | DIP SWITCH | | | | SSGM140100 | N7090148 | | 1- | A | B2 |
| T 1001 | COIL WIDE-TRANS. | | | | 040812480 | L0022904 | | 1- | A | G1 |
| T 1002 | COIL WIDE-TRANS. | | | | 040812480 | L0022904 | | 1- | A | H1 |
| T 1003 | COIL WIDE-TRANS. | | | | 040812480 | L0022904 | | 1- | A | I1 |
| T 1004 | COIL WIDE-TRANS. | | | | 040812480 | L0022904 | | 1- | A | I5 |
| T 1005 | COIL WIDE-TRANS. | | | | EKMA07PB07 | L0021123 | | 1- | A | I5 |
| T 1006 | COIL WIDE-TRANS. | | | | 040812479 | L0022905 | | 1- | A | I6 |
| T 1007 | COIL WIDE-TRANS. | | | | 040812479 | L0022905 | | 1- | A | I6 |
| T 1008 | COIL 07RF | 47MHZ | | | 47.0M | L0021546 | | 1- | A | I7 |
| T 1009 | COIL 07RF | 47MHZ | | | 47.0M | L0021536 | | 1- | A | H7 |
| T 1010 | COIL 07RF | 47MHZ | | | 47.0M | L0021537 | | 1- | A | H6 |
| T 1011 | COIL 07RF | 47MHZ | | | 47.0M | L0021546 | | 1- | A | G7 |
| T 1012 | COIL 07RF | 47MHZ | | | 47.0M | L0021546 | | 1- | A | G6 |
| T 1013 | COIL 07RF | 90MHZ | | | 90.0M R12-S602A | L0020803 | | 1- | A | D5 |
| TH1001 | THERMISTOR | | | | 157-152-53009-TP | G9090123 | | 1- | A | G6 |
| X 1002 | XTAL OSC | 36.864MHZ | | | TPS11XC 36.864MHZ | H9500770 | | 1- | A | C5 |
| X 1003 | TCXO | 22.625MHZ | | | TTS01NS-P1 22.625MHZ | H9500840 | | 1- | A | D5 |

MAIN Unit

Parts List

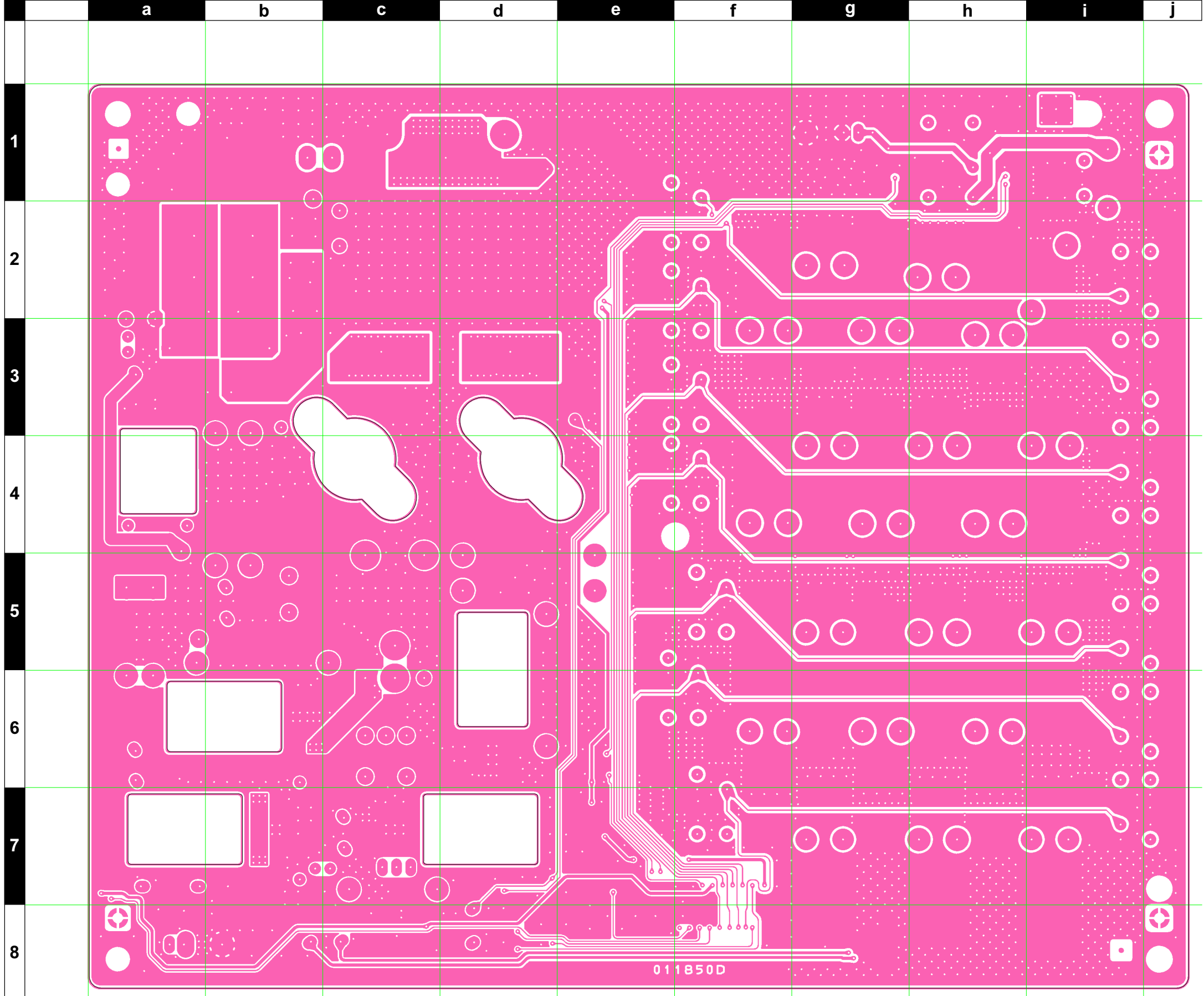
| REF. | DESCRIPTION | VALUE | V/W | TOL. | MFR'S DESIG | VXSTD P/N | VERS. | LOT. | SIDE | LAY ADR |
|--------|-------------------|----------|-----|------|------------------|-----------|-------|------|------|---------|
| X 1004 | XTAL TSS-6035B | 19.82MHz | | | 19.820MHZ | H0103262 | | 1- | A | C3 |
| XF1001 | XTAL FILTER | | | | MFT45N 45.275MHZ | H1102390 | | 1- | A | H6 |
| | SHIELD CASE | | | | | R0128100 | | 1- | | |
| | SHIELD CASE COVER | | | | | R0128110 | | 1- | | |
| | SHIELD CASE | | | | | R0131630 | | 1- | | |





PA Unit

Parts Layout (Side B)



| REF. | DESCRIPTION | VALUE | V/W | TOL. | MFR'S DESIG | VXSTD P/N | VERS. | LOT. | SIDE | LAY ADR |
|-----------------------|-----------------|---------|------|-----------|----------------------|-----------|-------|------|------|---------|
| PCB with Components | | | | | | CS1842001 | | | | |
| Printed Circuit Board | | | | AC051H000 | | FR011850D | | 1- | | |
| C 2001 | CHIP CAP. | 0.047uF | 16V | B | GRM39B473K16PT | K22124804 | | 1- | A | I8 |
| C 2002 | CHIP CAP. | 470pF | 50V | B | GRM188B11H471KA01D | K22174805 | | 1- | A | I8 |
| C 2003 | CHIP CAP. | 0.047uF | 16V | B | GRM39B473K16PT | K22124804 | | 1- | A | I7 |
| C 2004 | CHIP CAP. | 0.047uF | 50V | B | GRM40B473M50PT | K22170823 | | 1- | A | H7 |
| C 2005 | AL.ELECTRO.CAP. | 10uF | 50V | | RE2-50V100MMA-T2 | K46170021 | | 1- | A | H7 |
| C 2006 | CHIP CAP. | 0.1uF | 25V | B | GRM40B104M25PT | K22140811 | | 1- | A | H7 |
| C 2008 | CHIP CAP. | 0.1uF | 25V | B | GRM40B104M25PT | K22140811 | | 1- | A | I1 |
| C 2009 | CHIP CAP. | 0.047uF | 50V | B | GRM40B473M50PT | K22170823 | | 1- | A | H7 |
| C 2010 | AL.ELECTRO.CAP. | 1uF | 50V | | RE2-50V010MMA-T2 | K46170017 | | 1- | A | G8 |
| C 2011 | CHIP CAP. | 0.1uF | 25V | B | GRM40B104M25PT | K22140811 | | 1- | A | H7 |
| C 2012 | CHIP CAP. | 0.01uF | 25V | B | GRM39B103K25PT | K22144803 | | 1- | A | G7 |
| C 2013 | CHIP CAP. | 0.01uF | 50V | B | GRM188B11H103KA01D | K22174823 | | 1- | A | D8 |
| C 2015 | CHIP CAP. | 0.1uF | 25V | B | GRM40B104M25PT | K22140811 | | 1- | A | H6 |
| C 2017 | AL.ELECTRO.CAP. | 1uF | 50V | | RE2-50V010MMA-T2 | K46170017 | | 1- | A | G8 |
| C 2018 | CHIP CAP. | 68pF | 50V | CH | GRM1882C1H680JA01D | K22174231 | | 1- | A | G6 |
| C 2019 | CHIP CAP. | 68pF | 50V | CH | GRM1882C1H680JA01D | K22174231 | | 1- | A | G6 |
| C 2021 | AL.ELECTRO.CAP. | 10uF | 50V | | RE2-50V100MMA-T2 | K46170021 | | 1- | A | I6 |
| C 2025 | CHIP CAP. | 0.01uF | 50V | B | GRM188B11H103KA01D | K22174823 | | 1- | A | F7 |
| C 2027 | CHIP CAP. | 0.047uF | 16V | B | GRM39B473K16PT | K22124804 | | 1- | A | G8 |
| C 2029 | CHIP CAP. | 0.047uF | 50V | B | GRM40B473M50PT | K22170823 | | 1- | A | G6 |
| C 2030 | CHIP CAP. | 0.047uF | 50V | B | GRM40B473M50PT | K22170823 | | 1- | A | H5 |
| C 2031 | CHIP CAP. | 0.047uF | 16V | B | GRM39B473K16PT | K22124804 | | 1- | A | J4 |
| C 2034 | CHIP CAP. | 0.047uF | 16V | B | GRM39B473K16PT | K22124804 | | 1- | A | I5 |
| C 2036 | CHIP CAP. | 150pF | 200V | CH | GRM21B2C2D151JV01L | K22230230 | | 1- | A | G6 |
| C 2037 | AL.ELECTRO.CAP. | 10uF | 50V | | RE2-50V100MMA-T2 | K46170021 | | 1- | A | I3 |
| C 2040 | CHIP CAP. | 0.001uF | 50V | B | GRM188B11H102KA01D | K22174821 | | 1- | A | F6 |
| C 2042 | CHIP CAP. | 0.1uF | 25V | B | GRM40B104M25PT | K22140811 | | 1- | A | G6 |
| C 2044 | CHIP CAP. | 0.001uF | 50V | B | GRM188B11H102KA01D | K22174821 | | 1- | A | E8 |
| C 2047 | CHIP CAP. | 0.047uF | 16V | B | GRM39B473K16PT | K22124804 | | 1- | A | I4 |
| C 2048 | CHIP CAP. | 0.047uF | 16V | B | GRM39B473K16PT | K22124804 | | 1- | A | H8 |
| C 2049 | CHIP CAP. | 0.001uF | 50V | B | GRM188B11H102KA01D | K22174821 | | 1- | A | E8 |
| C 2050 | AL.ELECTRO.CAP. | 10uF | 50V | | RE2-50V100MMA-T2 | K46170021 | | 1- | A | I5 |
| C 2051 | CHIP CAP. | 0.1uF | 250V | X7R | GRM32DR72E104KW01L | K22245801 | | 1- | A | G5 |
| C 2052 | CHIP CAP. | 0.1uF | 250V | X7R | GRM32DR72E104KW01L | K22245801 | | 1- | A | H4 |
| C 2053 | CHIP CAP. | 0.01uF | 50V | B | GRM188B11H103KA01D | K22174823 | | 1- | A | E6 |
| C 2054 | AL.ELECTRO.CAP. | 1000uF | 16V | | RE3-16V102MH3 1000UF | K40129096 | | 1- | A | I2 |
| C 2055 | CHIP CAP. | 0.047uF | 16V | B | GRM39B473K16PT | K22124804 | | 1- | A | H2 |
| C 2057 | CHIP CAP. | 0.047uF | 16V | B | GRM39B473K16PT | K22124804 | | 1- | A | H8 |
| C 2058 | CHIP CAP. | 0.01uF | 50V | B | GRM188B11H103KA01D | K22174823 | | 1 | A | H1 |
| C 2060 | CHIP CAP. | 0.1uF | 25V | B | GRM40B104M25PT | K22140811 | | 1- | A | H2 |
| C 2062 | CHIP CAP. | 0.1uF | 25V | B | GRM40B104M25PT | K22140811 | | 1- | A | I2 |
| C 2064 | CHIP CAP. | 0.1uF | 250V | X7R | GRM32DR72E104KW01L | K22245801 | | 1- | A | F3 |
| C 2065 | CHIP CAP. | 0.1uF | 250V | X7R | GRM32DR72E104KW01L | K22245801 | | 1- | A | H3 |
| C 2066 | FILM CAP. | 330pF | 500V | | UC342H3300J-T | K33279014 | | 1- | A | F3 |
| C 2067 | FILM CAP. | 330pF | 500V | | UC342H3300J-T | K33279014 | | 1- | A | G3 |
| C 2068 | AL.ELECTRO.CAP. | 1uF | 50V | | RE2-50V010MMA-T2 | K46170017 | | 1- | A | H8 |
| C 2070 | CHIP CAP. | 0.047uF | 50V | B | GRM40B473M50PT | K22170823 | | 1- | A | H1 |
| C 2071 | CHIP CAP. | 0.1uF | 50V | B | GRM42-6B104K50PT | K22171820 | | 1- | A | H1 |
| C 2072 | CHIP CAP. | 0.001uF | 50V | B | GRM188B11H102KA01D | K22174821 | | 1- | A | H8 |
| C 2073 | CHIP CAP. | 0.01uF | 25V | B | GRM39B103K25PT | K22144803 | | 1- | A | G1 |
| C 2074 | AL.ELECTRO.CAP. | 10uF | 50V | | RE2-50V100MMA-T2 | K46170021 | | 1- | A | F1 |
| C 2076 | CHIP CAP. | 0.047uF | 16V | B | GRM39B473K16PT | K22124804 | | 1- | A | E7 |
| C 2077 | CHIP CAP. | 0.047uF | 16V | B | GRM39B473K16PT | K22124804 | | 1- | A | D5 |
| C 2078 | CHIP CAP. | 0.047uF | 16V | B | GRM39B473K16PT | K22124804 | | 1- | A | E5 |
| C 2079 | CHIP CAP. | 0.047uF | 16V | B | GRM39B473K16PT | K22124804 | | 1- | A | D4 |
| C 2080 | CHIP CAP. | 0.047uF | 16V | B | GRM39B473K16PT | K22124804 | | 1- | A | D3 |
| C 2081 | CHIP CAP. | 0.047uF | 16V | B | GRM39B473K16PT | K22124804 | | 1- | A | D2 |

PA Unit

Parts List

| REF. | DESCRIPTION | VALUE | V/W | TOL. | MFR'S DESIG | VXSTD P/N | VERS. | LOT. | SIDE | LAY ADR |
|--------|-------------|---------|------|------|--------------------|-----------|-------|------|------|---------|
| C 2082 | CHIP CAP. | 0.047uF | 16V | B | GRM39B473K16PT | K22124804 | | 1- | A | D1 |
| C 2084 | CHIP CAP. | 0.001uF | 500V | CH | CF43CH102J500AT | K22277222 | | 1- | A | D7 |
| C 2085 | CHIP CAP. | 820pF | 500V | CH | CF43CH821J500AT | K22277220 | | 1- | A | E6 |
| C 2086 | CHIP CAP. | 470pF | 500V | CH | CF43CH471J500AT | K22277214 | | 1- | A | D5 |
| C 2087 | CHIP CAP. | 220pF | 500V | CH | CF43CH221J500AT | K22277206 | | 1- | A | E4 |
| C 2088 | CHIP CAP. | 100pF | 200V | CH | GRM21B2C2D101JV01L | K22230228 | | 1- | A | D3 |
| C 2089 | CHIP CAP. | 68pF | 200V | CH | GRM21B2C2D680JV01L | K22230226 | | 1- | A | D3 |
| C 2090 | CHIP CAP. | 56pF | 200V | CH | GRM2192C2D560JV01D | K22230225 | | 1- | A | D2 |
| C 2091 | CHIP CAP. | 0.047uF | 16V | B | GRM39B473K16PT | K22124804 | | 1- | A | C1 |
| C 2092 | CHIP CAP. | 560pF | 500V | CH | CF43CH561J500AT | K22277216 | | 1- | A | D7 |
| C 2098 | CHIP CAP. | 10pF | 200V | CH | GRM2192C2D100JV01D | K22230216 | | 1- | A | D2 |
| C 2099 | CHIP CAP. | 220pF | 500V | CH | CF43CH221J500AT | K22277206 | | 1- | A | D8 |
| C 2101 | CHIP CAP. | 220pF | 200V | CH | GRM21B2C2D221JY21L | K22230232 | | 1- | A | D5 |
| C 2102 | CHIP CAP. | 33pF | 200V | CH | GRM2192C2D330JV01D | K22230222 | | 1- | A | D5 |
| C 2103 | CHIP CAP. | 39pF | 200V | CH | GRM2192C2D390JV01D | K22230223 | | 1- | A | D6 |
| C 2105 | CHIP CAP. | 100pF | 200V | CH | GRM21B2C2D101JV01L | K22230228 | | 1- | A | D4 |
| C 2107 | CHIP CAP. | 22pF | 200V | CH | GRM2192C2D220JV01D | K22230220 | | 1- | A | D4 |
| C 2109 | CHIP CAP. | 27pF | 200V | CH | GRM2192C2D270JV01D | K22230221 | | 1- | A | D2 |
| C 2110 | CHIP CAP. | 10pF | 200V | CH | GRM2192C2D100JV01D | K22230216 | | 1- | A | D2 |
| C 2111 | CHIP CAP. | 27pF | 200V | CH | GRM2192C2D270JV01D | K22230221 | | 1- | A | D3 |
| C 2113 | CHIP CAP. | 0.001uF | 500V | CH | CF43CH102J500AT | K22277222 | | 1- | A | C7 |
| C 2114 | CHIP CAP. | 560pF | 500V | CH | CF43CH561J500AT | K22277216 | | 1- | A | D6 |
| C 2115 | CHIP CAP. | 680pF | 500V | CH | CF43CH681J500AT | K22277218 | | 1- | A | C5 |
| C 2116 | CHIP CAP. | 470pF | 500V | CH | CF43CH471J500AT | K22277214 | | 1- | A | D4 |
| C 2117 | CHIP CAP. | 270pF | 500V | CH | CF43CH271J500AT | K22277208 | | 1- | A | C3 |
| C 2118 | FILM CAP. | 150pF | 500V | | UC342H1500J-T | K33279012 | | 1- | A | D3 |
| C 2119 | FILM CAP. | 100pF | 500V | | UC342H1000J-T | K33279031 | | 1- | A | C2 |
| C 2120 | CHIP CAP. | 820pF | 500V | CH | CF43CH821J500AT | K22277220 | | 1- | A | C7 |
| C 2124 | FILM CAP. | 33pF | 500V | | UC232H0330J-T | K33279024 | | 1- | A | C3 |
| C 2125 | FILM CAP. | 82pF | 500V | | UC232H0820J-T | K33279033 | | 1- | A | C3 |
| C 2126 | FILM CAP. | 39pF | 500V | | UC232H0390J-T | K33279038 | | 1- | A | C2 |
| C 2137 | CHIP CAP. | 82pF | 200V | CH | GRM21B2C2D820JV01L | K22230227 | | 1- | A | C2 |
| C 2138 | CHIP CAP. | 10pF | 200V | CH | GRM2192C2D100JV01D | K22230216 | | 1- | A | C2 |
| C 2141 | CHIP CAP. | 10pF | 200V | CH | GRM2192C2D100JV01D | K22230216 | | 1- | A | B1 |
| C 2142 | CHIP CAP. | 220pF | 50V | CH | GRM1882C1H221JA01D | K22174243 | | 1- | A | B1 |
| C 2144 | FILM CAP. | 100pF | 500V | | UC342H1000J-T | K33279031 | | 1- | A | B7 |
| C 2145 | CHIP CAP. | 470pF | 500V | CH | CF43CH471J500AT | K22277214 | | 1- | A | C6 |
| C 2151 | CHIP CAP. | 0.01uF | 50V | B | GRM188B11H103KA01D | K22174823 | | 1 | A | I1 |
| C 2158 | CHIP CAP. | 0.022uF | 25V | B | GRM39B223K25PT | K22144807 | | 1- | A | B1 |
| C 2159 | CHIP CAP. | 560pF | 500V | CH | CF43CH561J500AT | K22277216 | | 1- | A | B8 |
| C 2162 | CHIP CAP. | 68pF | 200V | CH | GRM21B2C2D680JV01L | K22230226 | | 1- | A | B5 |
| C 2164 | CHIP CAP. | 100pF | 200V | CH | GRM21B2C2D101JV01L | K22230228 | | 1- | A | B6 |
| C 2166 | CHIP CAP. | 27pF | 200V | CH | GRM2192C2D270JV01D | K22230221 | | 1- | A | B4 |
| C 2168 | CHIP CAP. | 39pF | 200V | CH | GRM2192C2D390JV01D | K22230223 | | 1- | A | B4 |
| C 2171 | CHIP CAP. | 47pF | 200V | CH | GRM2192C2D470JV01D | K22230224 | | 1- | A | B3 |
| C 2172 | CHIP CAP. | 10pF | 200V | CH | GRM2192C2D100JV01D | K22230216 | | 1- | A | B3 |
| C 2173 | CHIP CAP. | 39pF | 50V | CH | GRM1882C1H390JA01D | K22174225 | | 1- | A | B2 |
| C 2174 | CHIP CAP. | 0.022uF | 25V | B | GRM39B223K25PT | K22144807 | | 1- | A | B1 |
| C 2175 | CHIP CAP. | 680pF | 500V | CH | CF43CH681J500AT | K22277218 | | 1- | A | A7 |
| C 2176 | CHIP CAP. | 680pF | 500V | CH | CF43CH681J500AT | K22277218 | | 1- | A | A6 |
| C 2177 | CHIP CAP. | 330pF | 500V | CH | CF43CH331J500AT | K22277210 | | 1- | A | A5 |
| C 2178 | CHIP CAP. | 220pF | 200V | CH | GRM21B2C2D221JY21L | K22230232 | | 1- | A | A4 |
| C 2179 | CHIP CAP. | 150pF | 200V | CH | GRM21B2C2D151JV01L | K22230230 | | 1- | A | A4 |
| C 2180 | CHIP CAP. | 27pF | 200V | CH | GRM2192C2D270JV01D | K22230221 | | 1- | A | A3 |
| C 2181 | CHIP CAP. | 22pF | 200V | CH | GRM2192C2D220JV01D | K22230220 | | 1- | A | A2 |
| C 2182 | CHIP CAP. | 220pF | 50V | CH | GRM1882C1H221JA01D | K22174243 | | 1- | A | B2 |
| C 2183 | CHIP CAP. | 100pF | 200V | CH | GRM21B2C2D101JV01L | K22230228 | | 1- | A | A7 |
| C 2186 | CHIP CAP. | 47pF | 200V | CH | GRM2192C2D470JV01D | K22230224 | | 1- | A | A4 |
| C 2188 | CHIP CAP. | 22pF | 200V | CH | GRM2192C2D220JV01D | K22230220 | | 1- | A | A3 |

| REF. | DESCRIPTION | VALUE | V/W | TOL. | MFR'S DESIG | VXSTD P/N | VERS. | LOT. | SIDE | LAY ADR |
|--------|----------------|---------|------|------|--------------------|-----------|-------|------|------|---------|
| C 2190 | CHIP CAP. | 0.047uF | 16V | B | GRM39B473K16PT | K22124804 | | 1- | A | A7 |
| C 2191 | CHIP CAP. | 0.047uF | 16V | B | GRM39B473K16PT | K22124804 | | 1- | A | A6 |
| C 2192 | CHIP CAP. | 0.047uF | 16V | B | GRM39B473K16PT | K22124804 | | 1- | A | A5 |
| C 2193 | CHIP CAP. | 0.047uF | 16V | B | GRM39B473K16PT | K22124804 | | 1- | A | A5 |
| C 2194 | CHIP CAP. | 0.047uF | 16V | B | GRM39B473K16PT | K22124804 | | 1- | A | A4 |
| C 2195 | CHIP CAP. | 0.047uF | 16V | B | GRM39B473K16PT | K22124804 | | 1- | A | A3 |
| C 2196 | CHIP CAP. | 0.047uF | 16V | B | GRM39B473K16PT | K22124804 | | 1- | A | A2 |
| C 2198 | CHIP CAP. | 0.001uF | 50V | B | GRM188B11H102KA01D | K22174821 | | 1 | A | I1 |
| C 2199 | CHIP CAP. | 0.1uF | 25V | B | GRM40B104M25PT | K22140811 | | 1- | A | E7 |
| C 2201 | CHIP CAP. | 0.01uF | 50V | B | GRM188B11H103KA01D | K22174823 | | 1- | A | D8 |
| C 2203 | CHIP CAP. | 0.1uF | 25V | B | GRM40B104M25PT | K22140811 | | 1- | | |
| C 2204 | CHIP CAP. | 0.001uF | 50V | B | GRM188B11H102KA01D | K22174821 | | 1- | | |
| C 2205 | CHIP CAP. | 0.001uF | 50V | B | GRM188B11H102KA01D | K22174821 | | 1- | | |
| C 2301 | CHIP CAP. | 680pF | 500V | CH | CF43CH681J500AT | K22277218 | | 1- | | |
| C 2302 | FILM CAP. | 820pF | 500V | | UC552H8200J-T | K33279016 | | 1- | | |
| C 2303 | FILM CAP. | 470pF | 500V | | UC342H4700J-T | K33279015 | | 1- | | |
| C 2303 | FILM CAP. | 470pF | 500V | | UC342H4700J-T | K33279015 | | 4- | | |
| D 2001 | DIODE | | | | BAS316 | G2070716 | | 1- | A | G7 |
| D 2002 | DIODE | | | | UDZS TE-17 16B | G2070914 | | 1- | A | F6 |
| D 2003 | DIODE | | | | 10EDB10 | G2090781 | | 1- | A | I4 |
| D 2004 | DIODE | | | | DAN202K T146 | G2070182 | | 1- | A | G8 |
| D 2005 | DIODE | | | | 10EDB10 | G2090781 | | 1- | A | H3 |
| D 2006 | DIODE | | | | BAS316 | G2070716 | | 1- | A | H2 |
| D 2007 | DIODE | | | | BAS316 | G2070716 | | 1- | A | H2 |
| D 2015 | SURGE ABSORBER | | | | RHCA-301Q43U | Q9000827 | | 1- | A | C1 |
| D 2016 | DIODE | | | | BAS316 | G2070716 | | 1- | A | C1 |
| D 2017 | DIODE | | | | MA729-(TX) | G2070320 | | 1- | A | B1 |
| D 2018 | DIODE | | | | MA729-(TX) | G2070320 | | 1- | A | B2 |
| D 2026 | DIODE | | | | RB060L-40 TE25 | G2070744 | | 1- | A | F7 |
| D 2027 | DIODE | | | | UDZS TE-17 6.8B | G2070888 | | 1- | A | F7 |
| J 2001 | CONNECTOR | | | | TMP-J01X-A2 | P1090255 | | 1- | A | I8 |
| J 2002 | CONNECTOR | | | | 30FLT-SM1-TB | P1091142 | | 1- | A | D8 |
| J 2003 | CONNECTOR | | | | IMSA-9202B-1-02-T | P0091174 | | 1- | A | H7 |
| J 2004 | CONNECTOR | | | | IMSA-9202B-1-02-T | P0091174 | | 1- | A | J3 |
| J 2005 | CONNECTOR | | | | B2B-ZR-SM3-TFT | P0091342 | | 1- | A | C8 |
| J 2006 | CONNECTOR | | | | TMP-J01X-A2 | P1090255 | | 1- | A | C1 |
| L 2001 | CHIP COIL | 1.5uH | | | C2520C-1R5K | L1690729 | | 1- | A | I7 |
| L 2002 | CHIP COIL | 0.56uH | | | C2520C-R56J | L1690553 | | 1- | A | H8 |
| L 2003 | M.RFC | 33uH | | | LAL03TA330K | L1790101 | | 1- | A | I7 |
| L 2004 | M.RFC | 2.2uH | | | LAL04NA2R2M | L1190319 | | 1- | A | H7 |
| L 2005 | RFC WITH BEADS | | | | FB-43-5111 | L1020015 | | 1- | A | I4 |
| L 2006 | TOROIDAL COIL | 41uH | | | 41.00U 3A FR9.5°5 | L0021432 | | 1- | A | H5 |
| L 2007 | TOROIDAL COIL | 3.67uH | | | 3.67U T68-2 | L0022907 | | 1- | A | D7 |
| L 2008 | TOROIDAL COIL | 2.24uH | | | 2.24U T68-2 | L0022860 | | 1- | A | D6 |
| L 2009 | TOROIDAL COIL | 1.89uH | | | 1.89U T68-2 | L0022861 | | 1- | A | D5 |
| L 2010 | TOROIDAL COIL | 0.96uH | | | 0.96U T68-6 | L0022913 | | 1- | A | D4 |
| L 2011 | TOROIDAL COIL | 0.84uH | | | 0.84U T68-6 | L0022912 | | 1- | A | D4 |
| L 2012 | TOROIDAL COIL | 0.43uH | | | 0.43U T68-6 | L0022910 | | 1- | A | D3 |
| L 2013 | TOROIDAL COIL | 0.27uH | | | 0.27U T68-6 | L0022909 | | 1- | A | D2 |
| L 2019 | TOROIDAL COIL | 0.27uH | | | 0.27U T68-6 | L0022909 | | 1- | A | C3 |
| L 2021 | M.RFC | 470uH | | | FLC32T-471J | L1690235 | | 1- | A | B1 |
| L 2022 | TOROIDAL COIL | 2.69uH | | | 2.69U T68-2 | L0022859 | | 1- | A | B7 |
| L 2023 | TOROIDAL COIL | 2.5uH | | | 2.50U T68-2 | L0022908 | | 1- | A | B6 |
| L 2024 | TOROIDAL COIL | 1.56uH | | | 1.56U T68-6 | L0022915 | | 1- | A | B5 |
| L 2025 | TOROIDAL COIL | 1.1uH | | | 1.10U T68-6 | L0022914 | | 1- | A | B4 |
| L 2026 | TOROIDAL COIL | 0.72uH | | | 0.72U T68-6 | L0022911 | | 1- | A | B4 |
| L 2028 | COIL A1 | uH | | | 4.5T10.0D1.2UEW-R | L0022916 | | 1- | A | B2 |
| L 2029 | M.RFC | 470uH | | | FLC32T-471J | L1690235 | | 1- | A | B2 |
| P 2001 | CONNECTOR | | | | IMSA-9206H-T | P1090988 | | 1- | | |

PA Unit

Parts List

| REF. | DESCRIPTION | VALUE | V/W | TOL. | MFR'S DESIG | VXSTD P/N | VERS. | LOT. | SIDE | LAY ADR |
|--------|-----------------|-------|-------|------|-----------------|-----------|-------|------|------|---------|
| P 2002 | WIRE ASSY | | | | AC051H | T9207202A | | 1- | | |
| P 2003 | CONNECTOR | | | | IMSA-9206H-T | P1090988 | | 1- | | |
| P 2004 | TERMINAL | | | | B3 | Q6000113 | | 2- | | |
| Q 2001 | FET | | | | RD06HHF1-01 | G3090145 | | 1- | A | I7 |
| Q 2002 | TRANSISTOR | | | | 2SB1143S | G3211430S | | 1- | A | G7 |
| Q 2003 | IC | | | | KIA7808API | G1093164 | | 1- | A | F7 |
| Q 2004 | TRANSISTOR | | | | DTC124GUA T106 | G3070184 | | 1- | A | G7 |
| Q 2005 | IC | | | | TA75S01F TE85R | G1091593 | | 1- | A | G8 |
| Q 2006 | TRANSISTOR | | | | DTC114TK T146 | G3070073 | | 1- | A | F6 |
| Q 2007 | TRANSISTOR | | | | 2SC3420GR | G3334200G | | 1- | A | I4 |
| Q 2008 | FET | | | | RD16HHF1 | G3090148 | | 1- | A | F5 |
| Q 2009 | FET | | | | RD16HHF1 | G3090148 | | 1- | A | I6 |
| Q 2010 | TRANSISTOR | | | | DTC124GUA T106 | G3070184 | | 1- | A | F6 |
| Q 2011 | TRANSISTOR | | | | DTC323TK T146 | G3070042 | | 1- | A | H8 |
| Q 2012 | TRANSISTOR | | | | SD1405 | G3090139 | | 1- | A | F4 |
| Q 2013 | TRANSISTOR | | | | SD1405 | G3090139 | | 1- | A | G4 |
| Q 2014 | IC | | | | TA75S01F TE85R | G1091593 | | 1 | A | I1 |
| Q 2015 | IC | | | | LM2904PWR | G1094010 | | 1- | A | E7 |
| R 2001 | CHIP RES. | 820 | 1/16W | 5% | RMC1/16 821JATP | J24185821 | | 1- | A | I7 |
| R 2001 | CHIP RES. | 470 | 1/16W | 5% | RMC1/16 471JATP | J24185471 | | 3- | A | I7 |
| R 2002 | CHIP RES. | 150 | 1/4W | 5% | RMC1/4 151JATP | J24245151 | | 1- | A | I8 |
| R 2003 | CHIP RES. | 150 | 1/4W | 5% | RMC1/4 151JATP | J24245151 | | 1- | A | I7 |
| R 2004 | CHIP RES. | 1.8k | 1/16W | 5% | RMC1/16 182JATP | J24185182 | | 1- | A | H7 |
| R 2005 | CHIP RES. | 10k | 1/16W | 5% | RMC1/16 103JATP | J24185103 | | 1- | A | G7 |
| R 2006 | CHIP RES. | 1k | 1/4W | 5% | RMC1/4 102JATP | J24245102 | | 1- | A | G8 |
| R 2007 | CHIP RES. | 2.7k | 1/16W | 5% | RMC1/16 272JATP | J24185272 | | 1- | A | G8 |
| R 2009 | CHIP RES. | 10k | 1/16W | 5% | RMC1/16 103JATP | J24185103 | | 1- | A | G8 |
| R 2010 | CHIP RES. | 10k | 1/16W | 5% | RMC1/16 103JATP | J24185103 | | 1- | A | F8 |
| R 2011 | CHIP RES. | 1.8k | 1/16W | 5% | RMC1/16 182JATP | J24185182 | | 1- | A | G8 |
| R 2012 | CHIP RES. | 2.7k | 1/16W | 5% | RMC1/16 272JATP | J24185272 | | 1- | A | G8 |
| R 2013 | CHIP RES. | 0 | 1/16W | 5% | RMC1/16 000JATP | J24185000 | | 1- | A | H6 |
| R 2014 | CHIP RES. | 10k | 1/16W | 5% | RMC1/16 103JATP | J24185103 | | 1- | A | G8 |
| R 2015 | CHIP RES. | 470 | 1/4W | 5% | RMC1/4 471JATP | J24245471 | | 1- | A | G6 |
| R 2016 | CHIP RES. | 100 | 1/2W | 5% | RK73B2HTTE101J | J24279017 | | 1- | A | G6 |
| R 2017 | CHIP RES. | 100 | 1/2W | 5% | RK73B2HTTE101J | J24279017 | | 1- | A | H6 |
| R 2018 | CHIP RES. | 100k | 1/16W | 5% | RMC1/16 104JATP | J24185104 | | 1- | A | G8 |
| R 2019 | CHIP RES. | 100 | 1/16W | 5% | RMC1/16 101JATP | J24185101 | | 1- | A | G6 |
| R 2020 | CHIP RES. | 100 | 1/16W | 5% | RMC1/16 101JATP | J24185101 | | 1- | A | G6 |
| R 2021 | CHIP RES. | 100 | 1/16W | 5% | RMC1/16 101JATP | J24185101 | | 1 | A | I6 |
| R 2021 | CHIP RES. | 220 | 1/16W | 5% | RMC1/16 221JATP | J24185221 | | 2- | A | I6 |
| R 2022 | METAL FILM RES. | 8.2 | 2W | 5% | ERX-2SJ8R2P 8.2 | J22339020 | | 1- | A | I6 |
| R 2023 | METAL FILM RES. | 8.2 | 2W | 5% | ERX-2SJ8R2P 8.2 | J22339020 | | 1- | A | J6 |
| R 2024 | CHIP RES. | 2.2k | 1/16W | 5% | RMC1/16 222JATP | J24185222 | | 1- | A | G8 |
| R 2025 | METAL FILM RES. | 470 | 3W | 5% | ERG-3SJ471P 470 | J22359019 | | 1- | A | F6 |
| R 2026 | CHIP RES. | 1k | 1/4W | 5% | RMC1/4 102JATP | J24245102 | | 1- | A | G6 |
| R 2027 | CHIP RES. | 1k | 1/4W | 5% | RMC1/4 102JATP | J24245102 | | 1- | A | H6 |
| R 2028 | METAL FILM RES. | 470 | 3W | 5% | ERG-3SJ471P 470 | J22359019 | | 1- | A | I5 |
| R 2029 | CHIP RES. | 1k | 1/16W | 5% | RMC1/16 102JATP | J24185102 | | 1- | A | F6 |
| R 2030 | CHIP RES. | 2.2k | 1/16W | 5% | RMC1/16 222JATP | J24185222 | | 1- | A | G8 |
| R 2031 | CHIP RES. | 10k | 1/16W | 5% | RMC1/16 103JATP | J24185103 | | 1- | A | F6 |
| R 2032 | CHIP RES. | 47k | 1/16W | 5% | RMC1/16 473JATP | J24185473 | | 1- | A | G8 |
| R 2033 | CHIP RES. | 1 | 1W | 5% | RMC1 1R0JTE | J24305010 | | 1- | A | G4 |
| R 2034 | CHIP RES. | 1 | 1W | 5% | RMC1 1R0JTE | J24305010 | | 1- | A | G4 |
| R 2035 | CHIP RES. | 1 | 1W | 5% | RMC1 1R0JTE | J24305010 | | 1- | A | H4 |
| R 2036 | CHIP RES. | 1 | 1W | 5% | RMC1 1R0JTE | J24305010 | | 1- | A | H4 |
| R 2037 | CHIP RES. | 10 | 1/2W | 5% | RK73B2HTTE100J | J24279005 | | 1- | A | G4 |
| R 2038 | CHIP RES. | 10 | 1/2W | 5% | RK73B2HTTE100J | J24279005 | | 1- | A | H4 |
| R 2039 | METAL FILM RES. | 100 | 3W | 5% | ERG-3SJ101P 100 | J22359023 | | 1- | A | G5 |
| R 2040 | METAL FILM RES. | 100 | 3W | 5% | ERG-3SJ101P 100 | J22359023 | | 1- | A | H3 |

| REF. | DESCRIPTION | VALUE | V/W | | MFR'S DESIG | VXSTD P/N | VERS. | LOT. | SIDE | LAY ADR |
|--------|------------------|-------|-------|------|---------------------|-----------|-------|------|------|---------|
| R 2041 | METAL FILM RES. | 100 | 3W | 5% | ERG-3SJ101P 100 | J22359023 | | 1- | A | G5 |
| R 2042 | METAL FILM RES. | 100 | 3W | 5% | ERG-3SJ101P 100 | J22359023 | | 1- | A | I5 |
| R 2043 | METAL FILM RES. | 15 | 2W | 5% | ERG-2SJ150P 15 | J22339023 | | 1- | A | H7 |
| R 2044 | CHIP RES. | 56 | 1W | 5% | RMC1 560JTE | J24305560 | | 1- | A | G8 |
| R 2045 | CHIP RES. | 47k | 1/16W | 5% | RMC1/16 473JATP | J24185473 | | 1- | A | C1 |
| R 2046 | CHIP RES. | 6.8k | 1/16W | 5% | RMC1/16 682JATP | J24185682 | | 1- | A | B1 |
| R 2047 | CHIP RES. | 10k | 1/16W | 5% | RMC1/16 103JATP | J24185103 | | 1- | A | E7 |
| R 2048 | CHIP RES. | 56 | 1/2W | 5% | RMC1/2 560JTE | J24275560 | | 1- | A | B1 |
| R 2049 | CHIP RES. | 56 | 1/2W | 5% | RMC1/2 560JTE | J24275560 | | 1- | A | B1 |
| R 2050 | CHIP RES. | 10k | 1/16W | 5% | RMC1/16 103JATP | J24185103 | | 1- | A | E7 |
| R 2051 | CHIP RES. | 56 | 1/2W | 5% | RMC1/2 560JTE | J24275560 | | 1- | A | B1 |
| R 2052 | CHIP RES. | 56 | 1/2W | 5% | RMC1/2 560JTE | J24275560 | | 1- | A | B1 |
| R 2053 | CHIP RES. | 1k | 1/16W | 5% | RMC1/16 102JATP | J24185102 | | 1- | A | B1 |
| R 2054 | CHIP RES. | 150 | 1/16W | 5% | RMC1/16 151JATP | J24185151 | | 1- | A | I8 |
| R 2057 | CHIP RES. | 10k | 1/16W | 5% | RMC1/16 103JATP | J24185103 | | 1-3 | A | I1 |
| R 2058 | CHIP RES. | 1m | 1W | | TLR3ADTE1L0J | J24309042 | | 1 | A | H1 |
| R 2059 | CHIP RES. | 180k | 1/10W | 0.5% | RR1220R-184-D-T5 | J24209225 | | 1 | A | I1 |
| R 2060 | CHIP RES. | 10k | 1/16W | 5% | RMC1/16 103JATP | J24185103 | | 1 | A | I1 |
| R 2061 | CHIP RES. | 1.5k | 1/10W | 0.1% | RR1220P-152-B | J24209078 | | 1 | A | H1 |
| R 2062 | CHIP RES. | 1.5k | 1/10W | 0.1% | RR1220P-152-B | J24209078 | | 1 | A | H1 |
| R 2063 | CHIP RES. | 180k | 1/10W | 0.5% | RR1220R-184-D-T5 | J24209225 | | 1 | A | H1 |
| R 2064 | CHIP RES. | 4.7k | 1/16W | 5% | RMC1/16 472JATP | J24185472 | | 1 | A | H1 |
| R 2065 | CHIP RES. | 10k | 1/10W | 0.1% | RR1220P-103-B | J24209098 | | 1 | A | H1 |
| R 2066 | CHIP RES. | 1.5k | 1/10W | 0.1% | RR1220P-152-B | J24209078 | | 1 | A | I1 |
| R 2067 | CHIP RES. | 10k | 1/10W | 0.1% | RR1220P-103-B | J24209098 | | 1 | A | I1 |
| R 2068 | CHIP RES. | 1.5k | 1/10W | 0.1% | RR1220P-152-B | J24209078 | | 1 | A | I1 |
| R 2070 | CHIP RES. | 0 | 1/10W | 5% | RMC1/10T 000J | J24205000 | | 1- | A | C7 |
| R 2071 | CHIP RES. | 0 | 1/10W | 5% | RMC1/10T 000J | J24205000 | | 1- | A | C6 |
| R 2072 | CHIP RES. | 0 | 1/10W | 5% | RMC1/10T 000J | J24205000 | | 1- | A | C5 |
| R 2073 | CHIP RES. | 0 | 1/10W | 5% | RMC1/10T 000J | J24205000 | | 1- | A | C4 |
| R 2074 | CHIP RES. | 0 | 1/10W | 5% | RMC1/10T 000J | J24205000 | | 1- | A | C4 |
| R 2075 | CHIP RES. | 0 | 1/10W | 5% | RMC1/10T 000J | J24205000 | | 1- | A | B3 |
| R 2076 | CHIP RES. | 0 | 1/10W | 5% | RMC1/10T 000J | J24205000 | | 1- | A | C2 |
| R 2077 | CHIP RES. | 560 | 1/10W | 5% | RMC1/10T 561J | J24205561 | | 1- | A | F7 |
| RL2001 | RELAY | | DC12V | | ACP331 DC12V | M1190175 | | 1- | A | H1 |
| RL2002 | RELAY | | DC12V | | G5V-1 DC12V | M1190120 | | 1- | A | D6 |
| RL2003 | RELAY | | DC12V | | G5V-1 DC12V | M1190120 | | 1- | A | E5 |
| RL2004 | RELAY | | DC12V | | G5V-1 DC12V | M1190120 | | 1- | A | D5 |
| RL2005 | RELAY | | DC12V | | G5V-1 DC12V | M1190120 | | 1- | A | E4 |
| RL2006 | RELAY | | DC12V | | G5V-1 DC12V | M1190120 | | 1- | A | E3 |
| RL2007 | RELAY | | DC12V | | G5V-1 DC12V | M1190120 | | 1- | A | E2 |
| RL2008 | RELAY | | DC12V | | G5V-1 DC12V | M1190120 | | 1- | A | E1 |
| RL2009 | RELAY | | DC12V | | AG231344 DC12V | M1190145 | | 1- | A | C1 |
| RL2010 | RELAY | | DC12V | | G5V-1 DC12V | M1190120 | | 1- | A | A7 |
| RL2011 | RELAY | | DC12V | | G5V-1 DC12V | M1190120 | | 1- | A | A6 |
| RL2012 | RELAY | | DC12V | | G5V-1 DC12V | M1190120 | | 1- | A | A5 |
| RL2013 | RELAY | | DC12V | | G5V-1 DC12V | M1190120 | | 1- | A | A5 |
| RL2014 | RELAY | | DC12V | | G5V-1 DC12V | M1190120 | | 1- | A | A4 |
| RL2015 | RELAY | | DC12V | | G5V-1 DC12V | M1190120 | | 1- | A | A3 |
| RL2016 | RELAY | | DC12V | | G5V-1 DC12V | M1190120 | | 1- | A | A2 |
| T 2001 | COIL 10WIDE | | | | #223153 | L0022857 | | 1- | A | H6 |
| T 2002 | COIL PWR-WIDE | | | | D12A RIB10 | L0022249A | | 1- | A | G5 |
| T 2003 | TOROIDAL COIL | | | | D12A RI16X8X8(H007) | L0022745 | | 1- | A | I3 |
| T 2004 | COIL PWR-WIDE | | | | #223152 | L0022856 | | 1- | A | G1 |
| T 2005 | COIL WIDE-TRANS. | | | | #223093 | L0022792 | | 1- | A | A1 |
| TC2001 | TRIMMER CAP. | 20pF | | | ECR-JA020E11X | K91000228 | | 1- | A | A2 |
| TH2001 | THERMISTOR | | | | 112103-2 | G9090043 | | 1- | A | F3 |
| TP2020 | TERMINAL | | | | TP-H MK-10160 | Q5000037 | | 1- | A | H1 |
| TP2021 | TERMINAL | | | | TP-H MK-10160 | Q5000037 | | 1- | A | H1 |

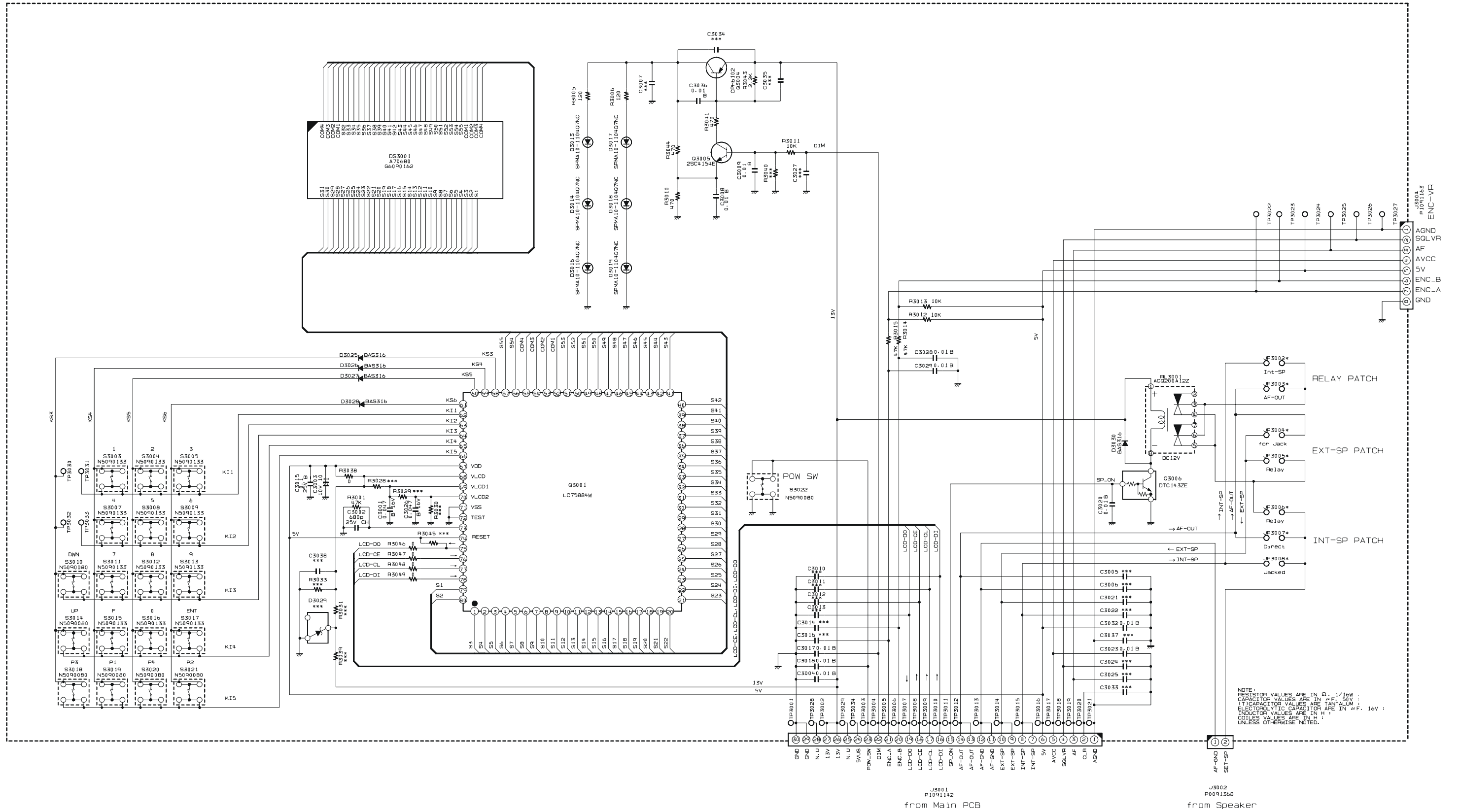
PA Unit

Parts List

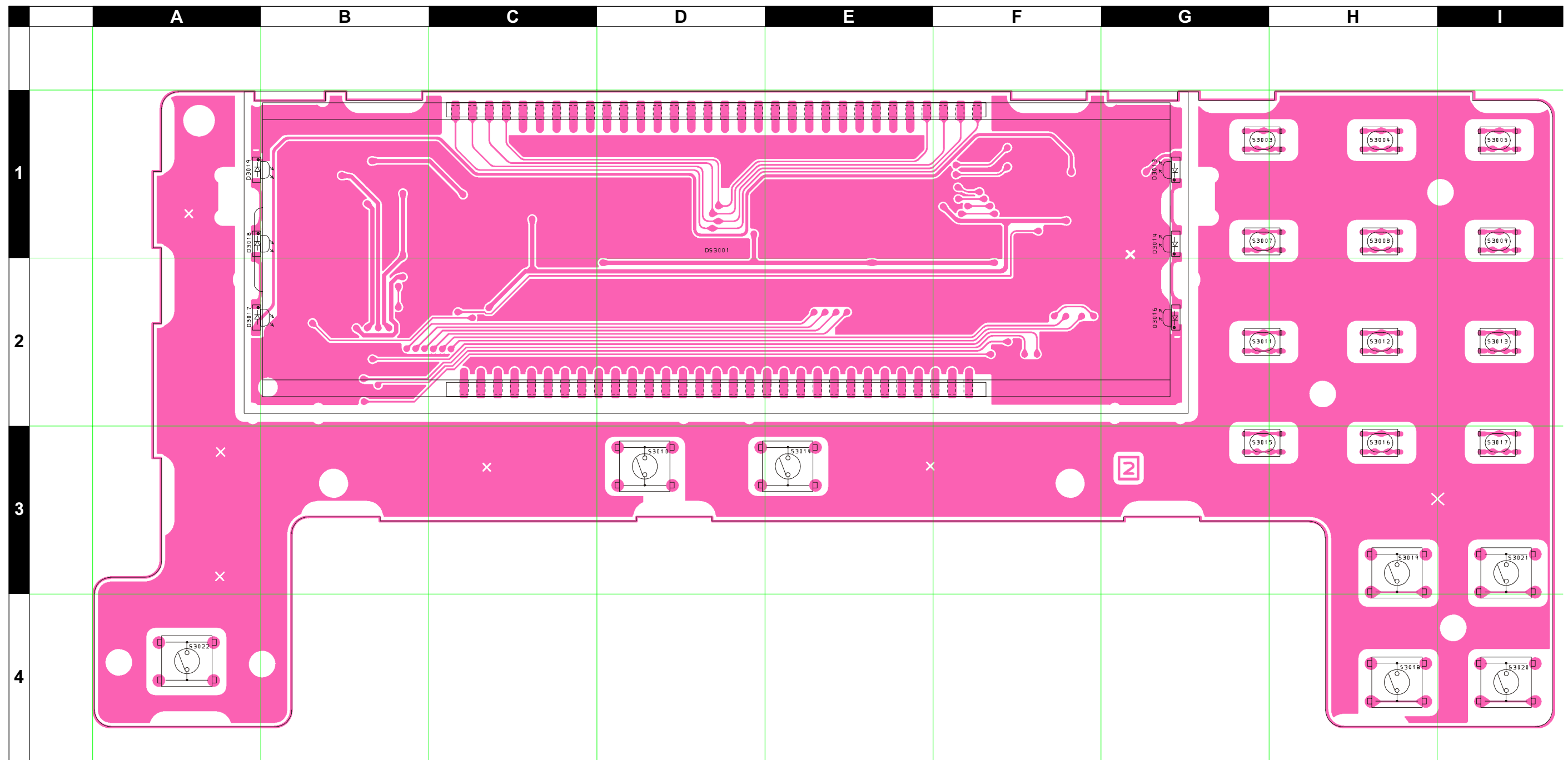
| REF. | DESCRIPTION | VALUE | V/W | TOL. | MFR'S DESIG | VXSTD P/N | VERS. | LOT. | SIDE | LAY ADR |
|--------|-------------|-------|-----|------|---------------|-----------|-------|------|------|---------|
| VR2001 | POT. | 1k | | | EVN-5ESX50B13 | J51811102 | | 1- | A | I8 |
| VR2001 | POT. | 2.2k | | | EVN-5ESX50BE3 | J51811222 | | 3- | A | I8 |
| VR2002 | POT. | 1k | | | EVN-5ESX50B13 | J51811102 | | 1- | A | I6 |
| VR2003 | POT. | 470 | | | EVN-5ESX50BQ2 | J51811471 | | 1- | A | J6 |

PANEL Unit

Circuit Diagram

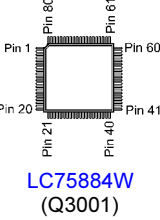
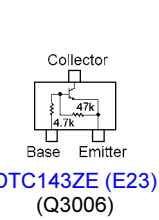
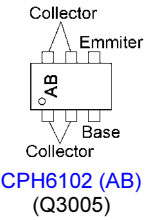
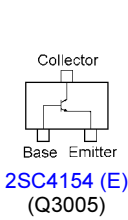
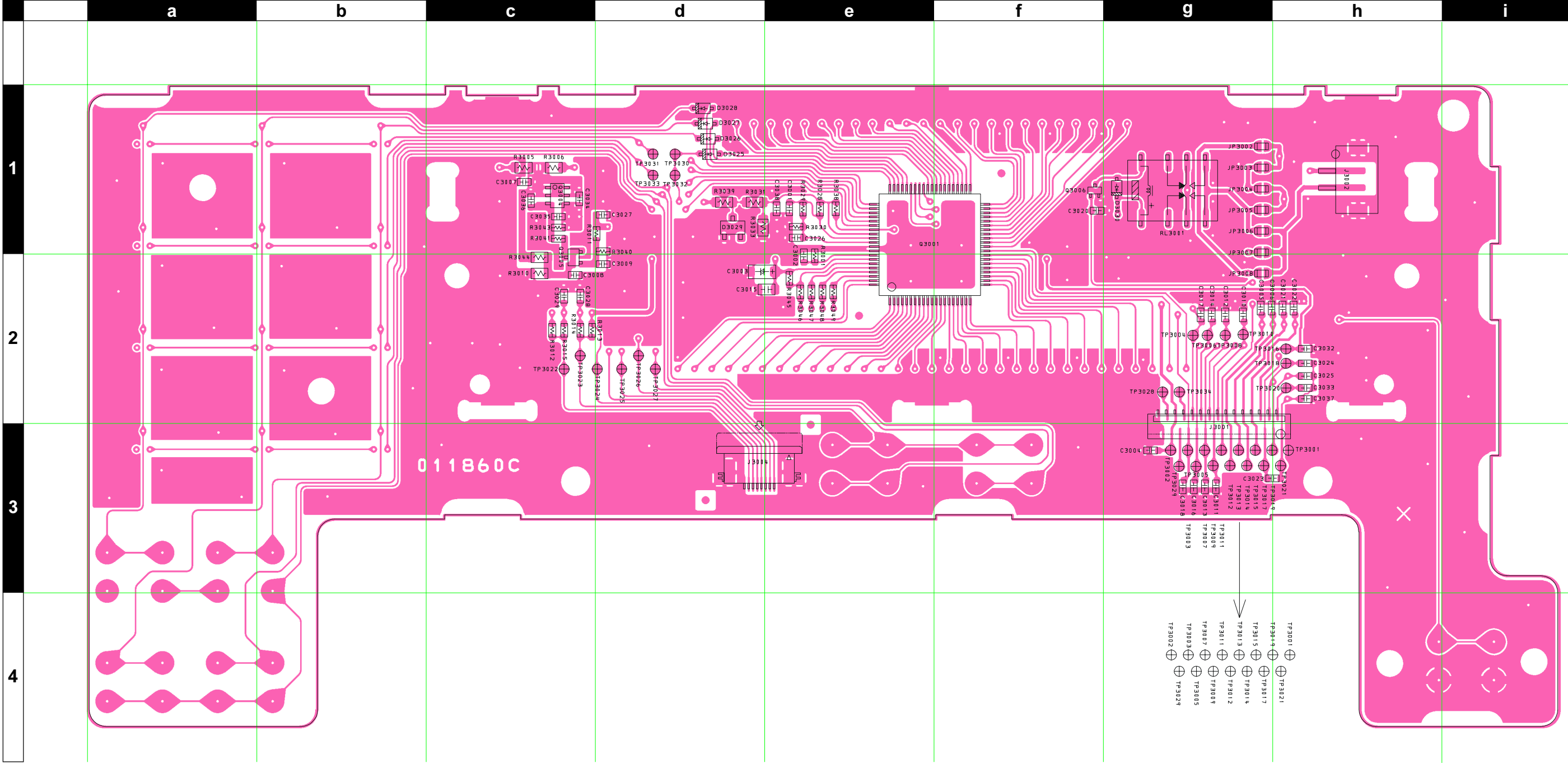


PANEL Unit
Parts Layout (Side A)



PANEL Unit

Parts Layout (Side B)



| REF. | DESCRIPTION | VALUE | V/W | TOL. | MFR'S DESIG | VXSTD P/N | VERS. | LOT. | SIDE | LAY ADR |
|-----------------------|--------------|---------|-------|------|--------------------|-----------|-------|------|------|---------|
| PCB with Components | | | | | | CB2833001 | | | | |
| Printed Circuit Board | | | | | AC051H000 | FR0118600 | | 1- | | |
| C 3001 | CHIP CAP. | 0.047uF | 16V | B | GRM39B473K16PT | K22124804 | | 1- | B | e1 |
| C 3002 | CHIP CAP. | 680pF | 25V | CH | GRM39CH681J25PT | K22144203 | | 1- | B | e2 |
| C 3003 | CHIP TA.CAP. | 10uF | 10V | | TEMSVA1A106M-8R | K78100028 | | 1- | B | d2 |
| C 3004 | CHIP CAP. | 0.01uF | 50V | B | GRM188B11H103KA01D | K22174823 | | 1- | B | g3 |
| C 3008 | CHIP CAP. | 0.01uF | 50V | B | GRM188B11H103KA01D | K22174823 | | 1- | B | c2 |
| C 3009 | CHIP CAP. | 0.01uF | 50V | B | GRM188B11H103KA01D | K22174823 | | 1- | B | d2 |
| C 3015 | CHIP CAP. | 0.1uF | 25V | B | GRM40B104M25PT | K22140811 | | 1- | B | e2 |
| C 3017 | CHIP CAP. | 0.01uF | 50V | B | GRM188B11H103KA01D | K22174823 | | 1- | B | g2 |
| C 3018 | CHIP CAP. | 0.01uF | 50V | B | GRM188B11H103KA01D | K22174823 | | 1- | B | g3 |
| C 3020 | CHIP CAP. | 0.01uF | 50V | B | GRM188B11H103KA01D | K22174823 | | 1- | B | f1 |
| C 3023 | CHIP CAP. | 0.01uF | 50V | B | GRM188B11H103KA01D | K22174823 | | 1- | B | g3 |
| C 3026 | CHIP CAP. | 0.047uF | 16V | B | GRM39B473K16PT | K22124804 | | 1- | B | e1 |
| C 3028 | CHIP CAP. | 0.01uF | 50V | B | GRM188B11H103KA01D | K22174823 | | 1- | B | c2 |
| C 3029 | CHIP CAP. | 0.01uF | 50V | B | GRM188B11H103KA01D | K22174823 | | 1- | B | c2 |
| C 3032 | CHIP CAP. | 0.01uF | 50V | B | GRM188B11H103KA01D | K22174823 | | 1- | B | h2 |
| C 3036 | CHIP CAP. | 0.01uF | 50V | B | GRM188B11H103KA01D | K22174823 | | 1- | B | c1 |
| D 3013 | LED | | | | SPMA10-1104Q7NC | G2070878 | | 1- | A | G1 |
| D 3014 | LED | | | | SPMA10-1104Q7NC | G2070878 | | 1- | A | G1 |
| D 3016 | LED | | | | SPMA10-1104Q7NC | G2070878 | | 1- | A | G2 |
| D 3017 | LED | | | | SPMA10-1104Q7NC | G2070878 | | 1- | A | A2 |
| D 3018 | LED | | | | SPMA10-1104Q7NC | G2070878 | | 1- | A | A1 |
| D 3019 | LED | | | | SPMA10-1104Q7NC | G2070878 | | 1- | A | A1 |
| D 3025 | DIODE | | | | BAS316 | G2070716 | | 1- | B | d1 |
| D 3026 | DIODE | | | | BAS316 | G2070716 | | 1- | B | d1 |
| D 3027 | DIODE | | | | BAS316 | G2070716 | | 1- | B | d1 |
| D 3028 | DIODE | | | | BAS316 | G2070716 | | 1- | B | d1 |
| D 3030 | DIODE | | | | BAS316 | G2070716 | | 1- | B | g1 |
| DS3001 | LCD | | | | A70680 | G6090162 | | 1- | A | D1 |
| J 3001 | CONNECTOR | | | | 30FLT-SM1-TB | P1091142 | | 1- | B | g2 |
| J 3002 | CONNECTOR | | | | B2B-PH-SM3-TBT | P0091368 | | 1- | B | h1 |
| J 3004 | CONNECTOR | | | | 52746-0890 | P1091163 | | 1- | B | d3 |
| JP3003 | CHIP RES. | 0 | 1/16W | 5% | RMC1/16 000JATP | J24185000 | | 4- | B | g1 |
| JP3005 | CHIP RES. | 0 | 1/16W | 5% | RMC1/16 000JATP | J24185000 | | 4- | B | g1 |
| JP3008 | CHIP RES. | 0 | 1/16W | 5% | RMC1/16 000JATP | J24185000 | | 4- | B | g2 |
| Q 3001 | IC | | | | LC75884W | G1094014 | | 1- | B | e1 |
| Q 3004 | TRANSISTOR | | | | CPH6102-TL | G3070223 | | 1- | B | c1 |
| Q 3005 | TRANSISTOR | | | | 2SC4154-T11-1E | G3341548E | | 1- | B | c2 |
| Q 3006 | TRANSISTOR | | | | DTC143ZE TL | G3070102 | | 1- | B | f1 |
| R 3001 | CHIP RES. | 47k | 1/16W | 5% | RMC1/16 473JATP | J24185473 | | 1- | B | e2 |
| R 3005 | CHIP RES. | 120 | 1/10W | 5% | RMC1/10T 121J | J24205121 | | 1- | B | c1 |
| R 3006 | CHIP RES. | 120 | 1/10W | 5% | RMC1/10T 121J | J24205121 | | 1- | B | c1 |
| R 3010 | CHIP RES. | 470 | 1/10W | 5% | RMC1/10T 471J | J24205471 | | 1- | B | c2 |
| R 3011 | CHIP RES. | 10k | 1/16W | 5% | RMC1/16 103JATP | J24185103 | | 1- | B | c1 |
| R 3012 | CHIP RES. | 10k | 1/16W | 5% | RMC1/16 103JATP | J24185103 | | 1- | B | c2 |
| R 3013 | CHIP RES. | 10k | 1/16W | 5% | RMC1/16 103JATP | J24185103 | | 1- | B | c2 |
| R 3014 | CHIP RES. | 47k | 1/16W | 5% | RMC1/16 473JATP | J24185473 | | 1- | B | c2 |
| R 3015 | CHIP RES. | 47k | 1/16W | 5% | RMC1/16 473JATP | J24185473 | | 1- | B | c2 |
| R 3038 | CHIP RES. | 0 | 1/16W | 5% | RMC1/16 000JATP | J24185000 | | 1- | B | e1 |
| R 3041 | CHIP RES. | 470 | 1/16W | 5% | RMC1/16 471JATP | J24185471 | | 1- | B | c1 |
| R 3043 | CHIP RES. | 2.2k | 1/16W | 5% | RMC1/16 222JATP | J24185222 | | 1- | B | c1 |
| R 3044 | CHIP RES. | 470 | 1/10W | 5% | RMC1/10T 471J | J24205471 | | 1- | B | c2 |
| R 3046 | CHIP RES. | 0 | 1/16W | 5% | RMC1/16 000JATP | J24185000 | | 1- | B | e2 |
| R 3047 | CHIP RES. | 0 | 1/16W | 5% | RMC1/16 000JATP | J24185000 | | 1- | B | e2 |
| R 3048 | CHIP RES. | 0 | 1/16W | 5% | RMC1/16 000JATP | J24185000 | | 1- | B | e2 |
| R 3049 | CHIP RES. | 0 | 1/16W | 5% | RMC1/16 000JATP | J24185000 | | 1- | B | e2 |
| R 3997 | CHIP RES. | 0 | 1/16W | 5% | RMC1/16 000JATP | J24185000 | | 1-3 | | |
| R 3998 | CHIP RES. | 0 | 1/16W | 5% | RMC1/16 000JATP | J24185000 | | 1-3 | | |

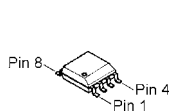
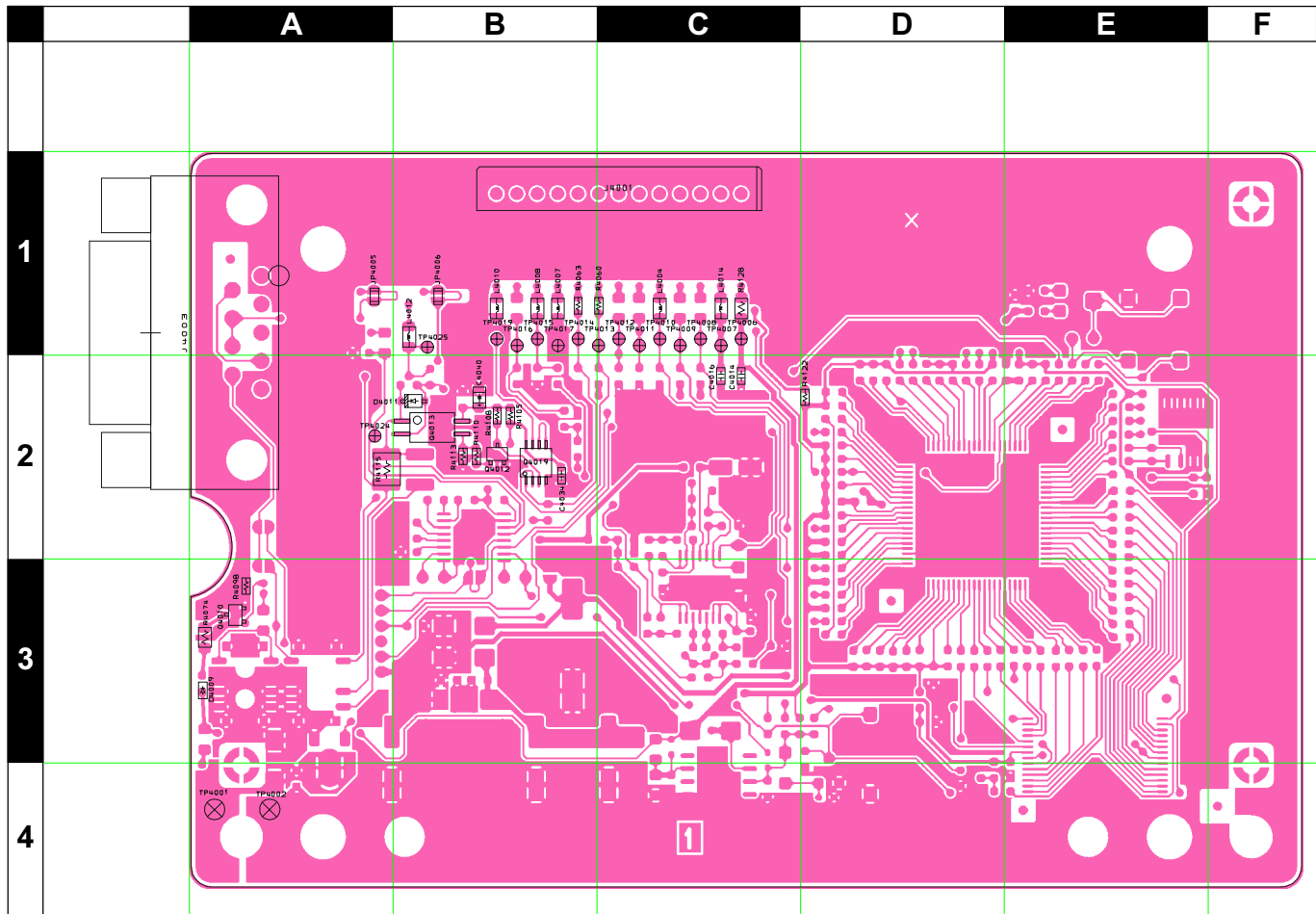
PANEL Unit

Parts List

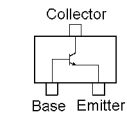
| REF. | DESCRIPTION | VALUE | V/W | TOL. | MFR'S DESIG | VXSTD P/N | VERS. | LOT. | SIDE | LAY ADR |
|--------|-----------------|-------|-------|------|------------------|-----------|-------|------|------|---------|
| R 3999 | CHIP RES. | 0 | 1/16W | 5% | RMC1/16 000JATP | J24185000 | | 1-3 | | |
| RL3001 | RELAY | | DC12V | | AGQ200A12Z DC12V | M1190188 | | 1- | B | g1 |
| S 3003 | TACT SWITCH | | | | SKRPABE010 | N5090133 | | 1- | A | G1 |
| S 3004 | TACT SWITCH | | | | SKRPABE010 | N5090133 | | 1- | A | H1 |
| S 3005 | TACT SWITCH | | | | SKRPABE010 | N5090133 | | 1- | A | I1 |
| S 3007 | TACT SWITCH | | | | SKRPABE010 | N5090133 | | 1- | A | G1 |
| S 3008 | TACT SWITCH | | | | SKRPABE010 | N5090133 | | 1- | A | H1 |
| S 3009 | TACT SWITCH | | | | SKRPABE010 | N5090133 | | 1- | A | I1 |
| S 3010 | TACT SWITCH | | | | SKHHDU | N5090080 | | 1- | A | D3 |
| S 3011 | TACT SWITCH | | | | SKRPABE010 | N5090133 | | 1- | A | G2 |
| S 3012 | TACT SWITCH | | | | SKRPABE010 | N5090133 | | 1- | A | H2 |
| S 3013 | TACT SWITCH | | | | SKRPABE010 | N5090133 | | 1- | A | I2 |
| S 3014 | TACT SWITCH | | | | SKHHDU | N5090080 | | 1- | A | E3 |
| S 3015 | TACT SWITCH | | | | SKRPABE010 | N5090133 | | 1- | A | G3 |
| S 3016 | TACT SWITCH | | | | SKRPABE010 | N5090133 | | 1- | A | H3 |
| S 3017 | TACT SWITCH | | | | SKRPABE010 | N5090133 | | 1- | A | I3 |
| S 3018 | TACT SWITCH | | | | SKHHDU | N5090080 | | 1- | A | H4 |
| S 3019 | TACT SWITCH | | | | SKHHDU | N5090080 | | 1- | A | H3 |
| S 3020 | TACT SWITCH | | | | SKHHDU | N5090080 | | 1- | A | I4 |
| S 3021 | TACT SWITCH | | | | SKHHDU | N5090080 | | 1- | A | I3 |
| S 3022 | TACT SWITCH | | | | SKHHDU | N5090080 | | 1- | A | A4 |
| | DIFFUSER SHEET | | | | (LCD) | RA0727100 | | 1- | | |
| | REFLECTOR SHEET | | | | (BLIND) | RA0727200 | | 1- | | |
| | LIGHT GUIDE | | | | (LCD) | RA0695900 | | 1- | | |
| | LCD HOLDER | | | | | RA0696000 | | 1- | | |
| | REFLECTOR SHEET | | | | | RA0696100 | | 1- | | |
| | REFLECTOR SHEET | | | | | RA069610A | | 3- | | |
| | INTER CONNECTOR | | | | | RA0695800 | | 1- | | |
| | SPONGE RUBBER | | | | (LCD) | RA0696200 | | 1- | | |

GPS-INTERFACE Unit

Parts Layout (Side A)



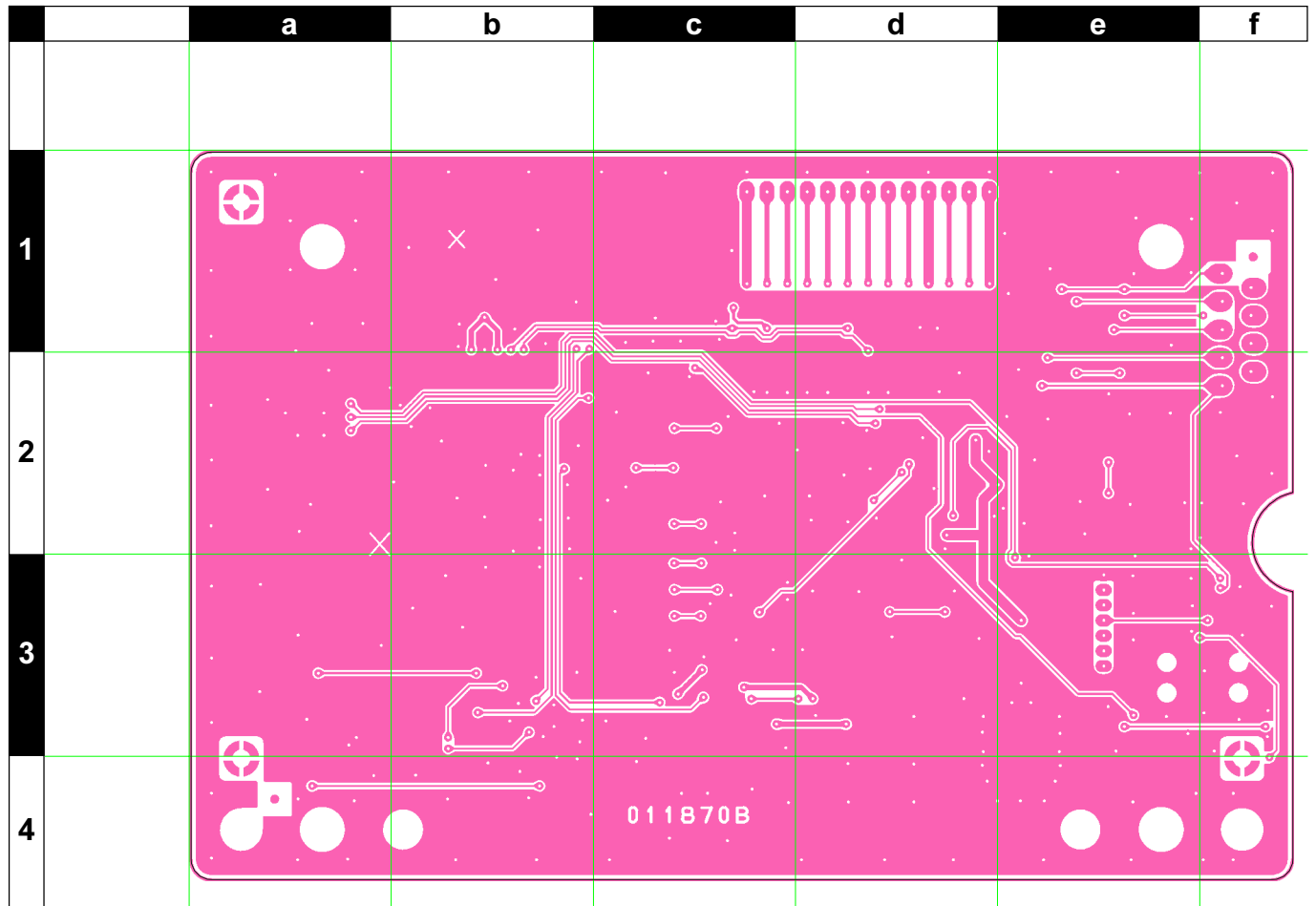
TC7W04FU
(Q4019)



2SC4154 (E)
(Q4010, 4012)

GPS-INTERFACE Unit

Parts Layout (Side B)



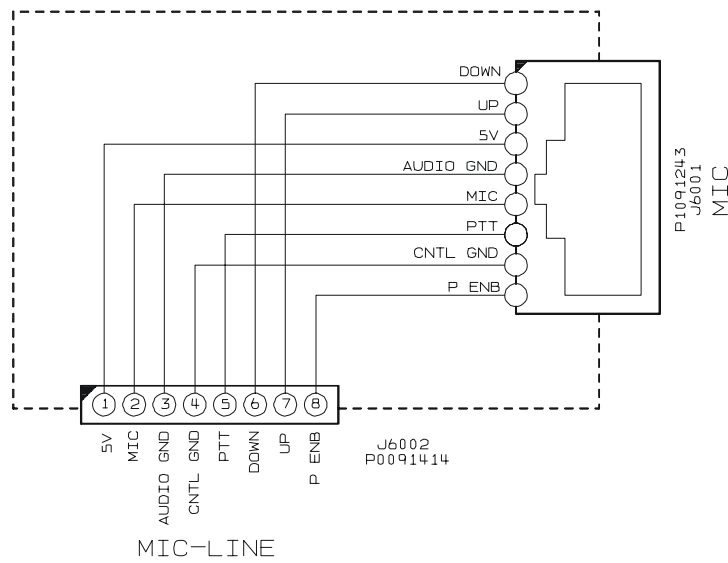
GPS-INTERFACE Unit

Parts List

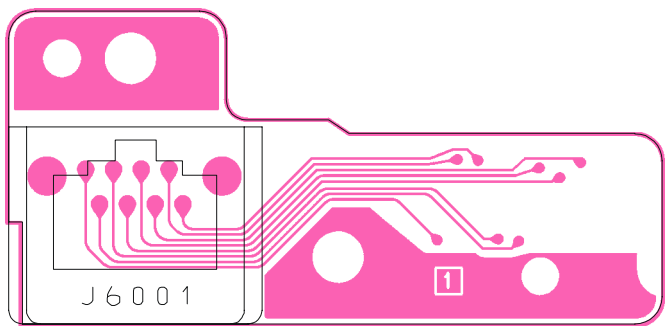
| REF. | DESCRIPTION | VALUE | V/W | TOL. | MFR'S DESIG | VXSTD P/N | VERS. | LOT. | SIDE | LAY ADR |
|-----------------------|---------------|--------|-------|------|--------------------|-----------|-------|------|------|---------|
| PCB with Components | | | | | | CB3183001 | | | | |
| Printed Circuit Board | | | | | AC051H000 | FR011870B | | 1- | | |
| C 4014 | CHIP CAP. | 0.01uF | 25V | B | GRM39B103K25PT | K22144803 | | 1- | A | C2 |
| C 4016 | CHIP CAP. | 0.01uF | 25V | B | GRM39B103K25PT | K22144803 | | 1- | A | C2 |
| C 4034 | CHIP CAP. | 0.1uF | 16V | B | GRM188B11C104KA01D | K22124805 | | 1- | A | B2 |
| C 4040 | CHIP TA.CAP. | 10uF | 6.3V | | TESVSP0J106M-8R | K78080055 | | 1- | A | B2 |
| D 4009 | LED | | | | SML-310FTT86KL | G2071026 | | 1- | A | A3 |
| D 4011 | DIODE | | | | 1SS355 TE-17 | G2070470 | | 1- | A | B2 |
| J 4001 | CONNECTOR | | | | SB20-13WS | P0090620 | | 1- | A | C1 |
| J 4003 | CONNECTOR | | | | XM2C-0942-232L | P0091409 | | 1- | A | A1 |
| L 4001 | M.RFC | 22uH | | | LK2125 220M-T | L1690335 | | 1- | | |
| L 4007 | M.RFC | 22uH | | | LK2125 220M-T | L1690335 | | 1- | A | B1 |
| L 4010 | M.RFC | 22uH | | | LK2125 220M-T | L1690335 | | 1- | A | B1 |
| L 4012 | M.RFC | 22uH | | | LK2125 220M-T | L1690335 | | 1- | A | B1 |
| L 4014 | M.RFC | 22uH | | | LK2125 220M-T | L1690335 | | 1- | A | C1 |
| Q 4010 | TRANSISTOR | | | | 2SC4154-T11-1E | G3341548E | | 1- | A | A3 |
| Q 4012 | TRANSISTOR | | | | 2SC4154-T11-1E | G3341548E | | 1- | A | B2 |
| Q 4013 | PHOTO COUPLER | | | | TLP281(GB-TP) | G0090037 | | 1- | A | B2 |
| Q 4019 | IC | | | | TC7W14FU(TE12L) | G1093321 | | 1- | A | B2 |
| R 4060 | CHIP RES. | 100 | 1/16W | 5% | RMC1/16 101JATP | J24185101 | | 1- | A | C1 |
| R 4063 | CHIP RES. | 100 | 1/16W | 5% | RMC1/16 101JATP | J24185101 | | 1- | A | B1 |
| R 4074 | CHIP RES. | 560 | 1/10W | 5% | RMC1/10T 561J | J24205561 | | 1- | A | A3 |
| R 4098 | CHIP RES. | 1k | 1/16W | 5% | RMC1/16 102JATP | J24185102 | | 1- | A | A3 |
| R 4105 | CHIP RES. | 100 | 1/16W | 5% | RMC1/16 101JATP | J24185101 | | 1- | A | B2 |
| R 4108 | CHIP RES. | 22k | 1/16W | 5% | RMC1/16 223JATP | J24185223 | | 1- | A | B2 |
| R 4110 | CHIP RES. | 10k | 1/16W | 5% | RMC1/16 103JATP | J24185103 | | 1- | A | B2 |
| R 4113 | CHIP RES. | 2.2k | 1/16W | 5% | RMC1/16 222JATP | J24185222 | | 1- | A | B2 |
| R 4115 | CHIP RES. | 330 | 1/4W | 5% | RMC1/4 331JATP | J24245331 | | 1- | A | A2 |
| R 4122 | CHIP RES. | 0 | 1/16W | 5% | RMC1/16 000JATP | J24185000 | | 1- | A | D2 |

MIC Unit

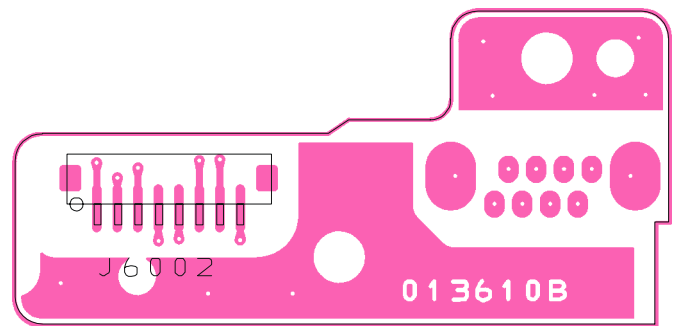
Circuit Diagram



Parts Layout



Side A



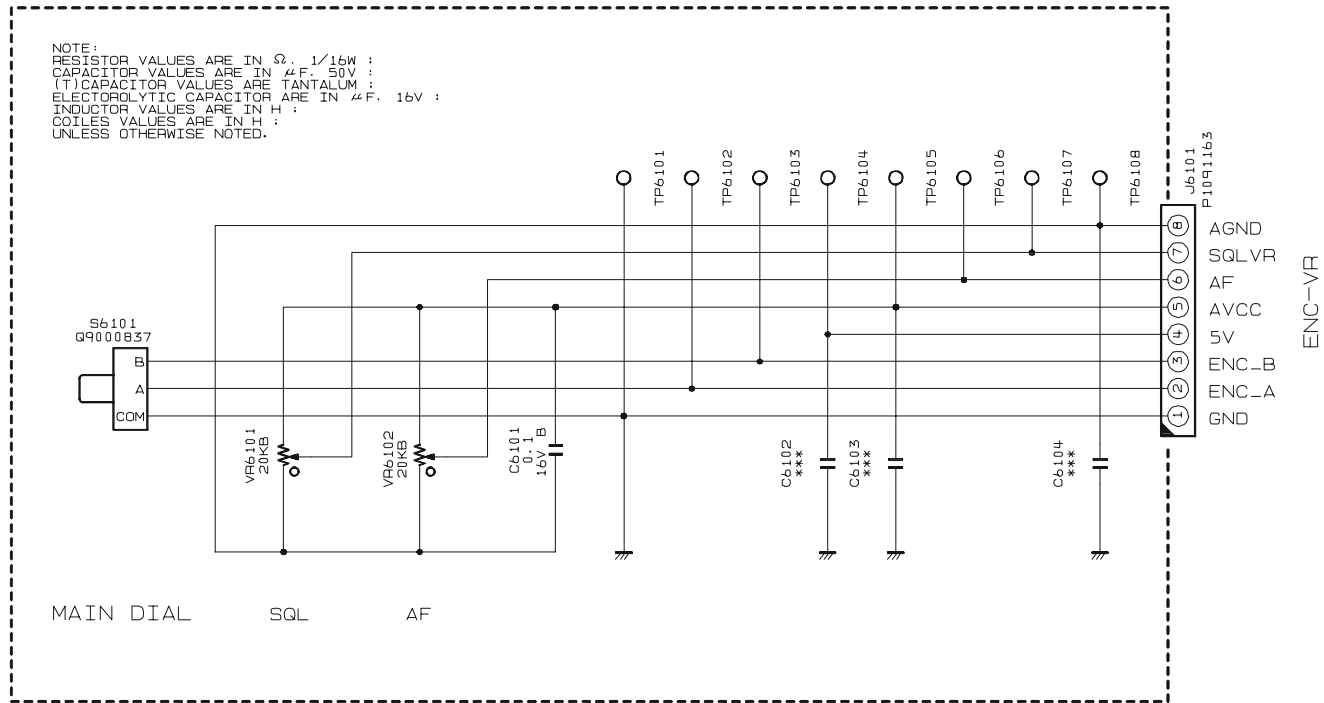
Side B

Parts List

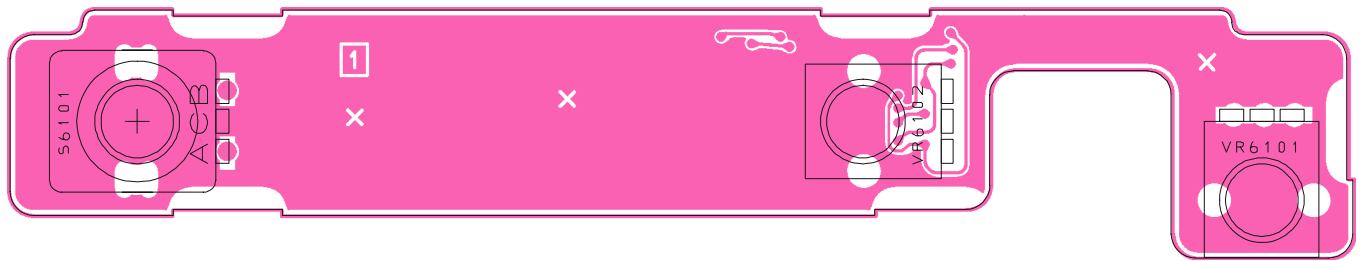
| REF. | DESCRIPTION | VALUE | V/W | TOL. | MFR'S DESIG | VXSTD P/N | VERS. | LOT. | SIDE | LAY ADR |
|--------|-----------------------|-------|-----|------|----------------|-----------|-------|------|------|---------|
| | PCB with Components | | | | | CB3199001 | | | | |
| | Printed Circuit Board | | | | AC051H000 | FR0136100 | | 1- | | |
| J 6001 | CONNECTOR | | | | R41-2509R | P1091243 | | 1- | A | A1 |
| J 6002 | CONNECTOR | | | | B8B-ZR-SM3-TFT | P0091414 | | 1- | B | a1 |

ENC Unit

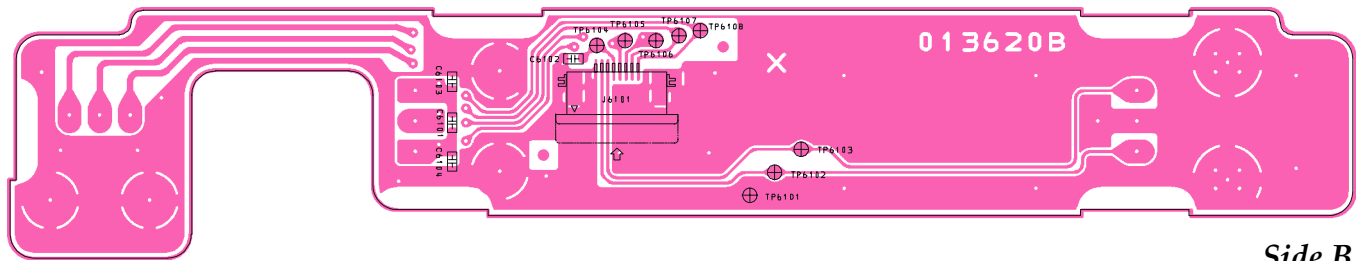
Circuit Diagram



Parts Layout



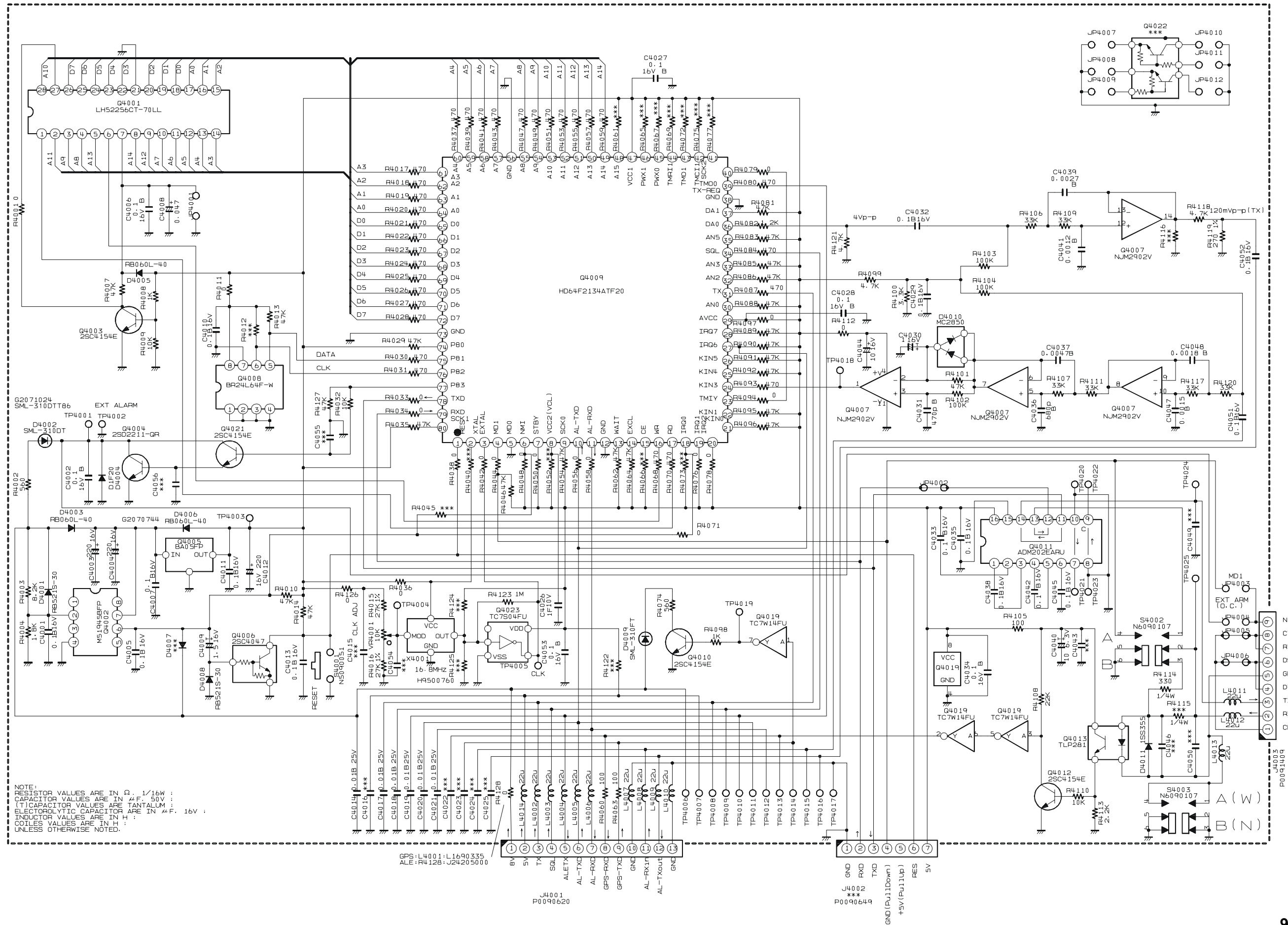
Side A



Side B

Parts List

| REF. | DESCRIPTION | VALUE | V/W | TOL. | MFR'S DESIG | VXSTD P/N | VERS. | LOT. | SIDE | LAY ADR |
|-----------------------|----------------|-------|-----|------|--------------------------|-----------|-------|------|------|---------|
| PCB with Components | | | | | | CB3200001 | | | | |
| Printed Circuit Board | | | | | AC051H000 | FR0136200 | | 1- | | |
| C 6101 | CHIP CAP. | 0.1uF | 16V | B | GRM188B11C104KA01D | K22124805 | | 1- | B | |
| J 6101 | CONNECTOR | | | | 52746-0890 | P1091163 | | 1- | B | |
| S 6101 | ROTARY ENCODER | | | | EC11B15204AU | Q9000837 | | 1- | A | |
| VR6101 | POT. | | | | RH96N74 23F B103 RY-7862 | J60800285 | | 1- | A | |



ALE Unit (Option)

Parts List

| REF. | DESCRIPTION | VALUE | V/W | TOL. | MFR'S DESIG | VXSTD P/N | VERS. | LOT. | SIDE | LAY ADR |
|-----------------------|-----------------|----------|------|------|--------------------|-----------|-------|------|------|---------|
| Printed Circuit Board | | | | | AC051H000 | FR011870B | | 1- | | |
| C 4001 | CHIP CAP. | 0.1uF | 16V | B | GRM188B11C104KA01D | K22124805 | | 1- | A | C4 |
| C 4002 | CHIP CAP. | 0.1uF | 16V | B | GRM188B11C104KA01D | K22124805 | | 1- | A | A4 |
| C 4003 | AL.ELECTRO.CAP. | 220uF | 16V | | MVA16VC220MF80 | K48120021 | | 1- | A | C3 |
| C 4004 | AL.ELECTRO.CAP. | 220uF | 16V | | MVA16VC220MF80 | K48120021 | | 1- | A | B3 |
| C 4005 | CHIP CAP. | 0.1uF | 16V | B | GRM188B11C104KA01D | K22124805 | | 1- | A | C4 |
| C 4006 | CHIP CAP. | 0.1uF | 16V | B | GRM188B11C104KA01D | K22124805 | | 1- | A | E4 |
| C 4007 | CHIP CAP. | 0.1uF | 16V | B | GRM188B11C104KA01D | K22124805 | | 1- | A | B3 |
| C 4008 | CAP. | 0.047uF | | | FC0H473ZTBR24 | K60070002 | | 1- | A | B3 |
| C 4009 | CHIP TA.CAP. | 1.5uF | 16V | | TESVA1C155M1-8R | K78120020 | | 1- | A | C4 |
| C 4010 | CHIP CAP. | 0.1uF | 16V | B | GRM188B11C104KA01D | K22124805 | | 1- | A | E2 |
| C 4011 | CHIP CAP. | 0.1uF | 16V | B | GRM188B11C104KA01D | K22124805 | | 1- | A | B3 |
| C 4012 | AL.ELECTRO.CAP. | 220uF | 16V | | MVA16VC220MF80 | K48120021 | | 1- | A | A3 |
| C 4013 | CHIP CAP. | 0.1uF | 16V | B | GRM188B11C104KA01D | K22124805 | | 1- | A | D3 |
| C 4014 | CHIP CAP. | 0.01uF | 25V | B | GRM39B103K25PT | K22144803 | | 1- | A | C2 |
| C 4017 | CHIP CAP. | 0.01uF | 25V | B | GRM39B103K25PT | K22144803 | | 1- | A | C2 |
| C 4018 | CHIP CAP. | 0.01uF | 25V | B | GRM39B103K25PT | K22144803 | | 1- | A | C2 |
| C 4019 | CHIP CAP. | 0.01uF | 25V | B | GRM39B103K25PT | K22144803 | | 1- | A | C2 |
| C 4020 | CHIP CAP. | 0.01uF | 25V | B | GRM39B103K25PT | K22144803 | | 1- | A | C2 |
| C 4021 | CHIP CAP. | 0.01uF | 25V | B | GRM39B103K25PT | K22144803 | | 1- | A | C2 |
| C 4026 | CHIP CAP. | 1uF | 10V | F | GRM188F11A105ZA01D | K22105001 | | 1- | A | D2 |
| C 4027 | CHIP CAP. | 0.1uF | 16V | B | GRM188B11C104KA01D | K22124805 | | 1- | A | D3 |
| C 4028 | CHIP CAP. | 0.1uF | 16V | B | GRM188B11C104KA01D | K22124805 | | 1- | A | D2 |
| C 4029 | CHIP CAP. | 0.1uF | 16V | B | GRM188B11C104KA01D | K22124805 | | 1- | A | C2 |
| C 4030 | CHIP TA.CAP. | 1uF | 16V | | TESVA1C105M1-8R | K78120009 | | 1- | A | C3 |
| C 4031 | CHIP CAP. | 470pF | 50V | B | GRM188B11H471KA01D | K22174805 | | 1- | A | C2 |
| C 4032 | CHIP CAP. | 0.1uF | 16V | B | GRM188B11C104KA01D | K22124805 | | 1- | A | C3 |
| C 4033 | CHIP CAP. | 0.1uF | 16V | B | GRM188B11C104KA01D | K22124805 | | 1- | A | B2 |
| C 4034 | CHIP CAP. | 0.1uF | 16V | B | GRM188B11C104KA01D | K22124805 | | 1- | A | B2 |
| C 4035 | CHIP CAP. | 0.1uF | 16V | B | GRM188B11C104KA01D | K22124805 | | 1- | A | B2 |
| C 4036 | CHIP CAP. | 680pF | 50V | B | GRM188B11H681KA01D | K22174807 | | 1- | A | C3 |
| C 4037 | CHIP CAP. | 0.0047uF | 50V | B | GRM188B11H472KA01D | K22174833 | | 1- | A | C2 |
| C 4038 | CHIP CAP. | 0.1uF | 16V | B | GRM188B11C104KA01D | K22124805 | | 1- | A | B2 |
| C 4039 | CHIP CAP. | 0.0027uF | 50V | B | GRM188B11H272KA01D | K22174829 | | 1- | A | C3 |
| C 4040 | CHIP TA.CAP. | 10uF | 6.3V | | TESVSP0J106M-8R | K78080055 | | 1- | A | B2 |
| C 4041 | CHIP CAP. | 0.0012uF | 50V | B | GRM188B11H122KA01D | K22174826 | | 1- | A | C3 |
| C 4042 | CHIP CAP. | 0.1uF | 16V | B | GRM188B11C104KA01D | K22124805 | | 1- | A | B2 |
| C 4044 | AL.ELECTRO.CAP. | 10uF | 16V | | RV2-16V100MB55-R | K48120014 | | 1- | A | C2 |
| C 4045 | CHIP CAP. | 0.1uF | 16V | B | GRM188B11C104KA01D | K22124805 | | 1- | A | B2 |
| C 4047 | CHIP CAP. | 0.0015uF | 50V | B | GRM188B11H152KA01D | K22174827 | | 1- | A | C3 |
| C 4048 | CHIP CAP. | 0.0018uF | 50V | B | GRM188B11H182KA01D | K22174828 | | 1- | A | C3 |
| C 4051 | CHIP CAP. | 0.1uF | 16V | B | GRM188B11C104KA01D | K22124805 | | 1- | A | B2 |
| C 4052 | CHIP CAP. | 0.1uF | 16V | B | GRM188B11C104KA01D | K22124805 | | 1- | A | B2 |
| C 4053 | CHIP CAP. | 0.1uF | 16V | B | GRM188B11C104KA01D | K22124805 | | 1- | A | E1 |
| D 4001 | DIODE | | | | RB521S-30 TE61 | G2070642 | | 1- | A | C3 |
| D 4002 | LED | | | | SML-310DTT86KL | G2071024 | | 1- | A | A4 |
| D 4003 | DIODE | | | | RB060L-40 TE25 | G2070744 | | 1- | A | C3 |
| D 4004 | DIODE | | | | D1F20-4063 | G2070474 | | 1- | A | A4 |
| D 4005 | DIODE | | | | RB060L-40 TE25 | G2070744 | | 1- | A | B3 |
| D 4006 | DIODE | | | | RB060L-40 TE25 | G2070744 | | 1- | A | B3 |
| D 4008 | DIODE | | | | RB521S-30 TE61 | G2070642 | | 1- | A | D4 |
| D 4009 | LED | | | | SML-310FTT86KL | G2071026 | | 1- | A | A3 |
| D 4010 | DIODE | | | | MC2850-T11-1 | G2070704 | | 1- | A | C2 |
| D 4011 | DIODE | | | | 1SS355 TE-17 | G2070470 | | 1- | A | B2 |
| J 4001 | CONNECTOR | | | | SB20-13WS | P0090620 | | 1- | A | C1 |
| J 4003 | CONNECTOR | | | | XM2C-0942-232L | P0091409 | | 1- | A | A1 |
| L 4002 | M.RFC | 22uH | | | LK2125 220M-T | L1690335 | | 1- | A | C1 |
| L 4003 | M.RFC | 22uH | | | LK2125 220M-T | L1690335 | | 1- | A | C1 |
| L 4004 | M.RFC | 22uH | | | LK2125 220M-T | L1690335 | | 1- | A | C1 |

ALE Unit (Option)

Parts List

| REF. | DESCRIPTION | VALUE | V/W | TOL. | MFR'S DESIG | VXSTD P/N | VERS. | LOT. | SIDE | LAY ADR |
|--------|---------------|-------|-------|------|-----------------------|-----------|-------|------|------|---------|
| L 4005 | M.RFC | 22uH | | | LK2125 220M-T | L1690335 | | 1- | A | C1 |
| L 4006 | M.RFC | 22uH | | | LK2125 220M-T | L1690335 | | 1- | A | C1 |
| L 4007 | M.RFC | 22uH | | | LK2125 220M-T | L1690335 | | 1- | A | B1 |
| L 4008 | M.RFC | 22uH | | | LK2125 220M-T | L1690335 | | 1- | A | B1 |
| L 4009 | M.RFC | 22uH | | | LK2125 220M-T | L1690335 | | 1- | A | B1 |
| L 4010 | M.RFC | 22uH | | | LK2125 220M-T | L1690335 | | 1- | A | B1 |
| L 4011 | M.RFC | 22uH | | | LK2125 220M-T | L1690335 | | 1- | A | A1 |
| L 4012 | M.RFC | 22uH | | | LK2125 220M-T | L1690335 | | 1- | A | B1 |
| L 4013 | M.RFC | 22uH | | | LK2125 220M-T | L1690335 | | 1- | A | A3 |
| L 4014 | M.RFC | 22uH | | | LK2125 220M-T | L1690335 | | 1- | A | C1 |
| Q 4001 | IC | | | | LH52256CT-70LL | G1093162 | | 1- | A | E3 |
| Q 4002 | IC | | | | M51945BFP-600C | G1091990 | | 1- | A | C4 |
| Q 4003 | TRANSISTOR | | | | 2SC4154-T11-1E | G3341548E | | 1- | A | D4 |
| Q 4004 | TRANSISTOR | | | | 2SD2211 T100 QR | G3422117Q | | 1- | A | C2 |
| Q 4005 | IC | | | | BA05FP-E2 | G1093209 | | 1- | A | B3 |
| Q 4006 | TRANSISTOR | | | | 2SC4047-TA | G3340477 | | 1- | A | D4 |
| Q 4007 | IC | | | | NJM2902V-TE1 | G1091679 | | 1- | A | C3 |
| Q 4008 | IC | | | | BR24L64F-WE2 | G1093876 | | 1- | A | E2 |
| Q 4009 | IC | | | | HD64F2134ATF20(FLASH) | ✘ | | 1- | A | D2 |
| Q 4010 | TRANSISTOR | | | | 2SC4154-T11-1E | G3341548E | | 1- | A | A3 |
| Q 4011 | IC | | | | ADM202EARU-REEL | G1092958 | | 1- | A | B2 |
| Q 4012 | TRANSISTOR | | | | 2SC4154-T11-1E | G3341548E | | 1- | A | B2 |
| Q 4013 | PHOTO COUPLER | | | | TLP281(GB-TP) | G0090037 | | 1- | A | B2 |
| Q 4019 | IC | | | | TC7W14FU(TE12L) | G1093321 | | 1- | A | B2 |
| Q 4021 | TRANSISTOR | | | | 2SC4154-T11-1E | G3341548E | | 1- | A | C2 |
| Q 4023 | IC | | | | TC7S04FU TE85R | G1091530 | | 1- | A | E1 |
| R 4001 | CHIP RES. | 0 | 1/16W | 5% | RMC1/16 000JATP | J24185000 | | 1- | A | D4 |
| R 4003 | CHIP RES. | 8.2k | 1/10W | 5% | RMC1/10T 822J | J24205822 | | 1- | A | C3 |
| R 4004 | CHIP RES. | 1.8k | 1/10W | 5% | RMC1/10T 182J | J24205182 | | 1- | A | C4 |
| R 4007 | CHIP RES. | 47k | 1/16W | 5% | RMC1/16 473JATP | J24185473 | | 1- | A | D4 |
| R 4008 | CHIP RES. | 1k | 1/16W | 5% | RMC1/16 102JATP | J24185102 | | 1- | A | D3 |
| R 4009 | CHIP RES. | 10k | 1/16W | 5% | RMC1/16 103JATP | J24185103 | | 1- | A | D3 |
| R 4010 | CHIP RES. | 47k | 1/16W | 5% | RMC1/16 473JATP | J24185473 | | 1- | A | C3 |
| R 4011 | CHIP RES. | 0 | 1/16W | 5% | RMC1/16 000JATP | J24185000 | | 1- | A | E2 |
| R 4013 | CHIP RES. | 47k | 1/16W | 5% | RMC1/16 473JATP | J24185473 | | 1- | A | E2 |
| R 4014 | CHIP RES. | 47k | 1/16W | 5% | RMC1/16 473JATP | J24185473 | | 1- | A | C3 |
| R 4015 | CHIP RES. | 27k | 1/16W | 1% | RMC1/16 273FTP | J24183273 | | 1- | A | D1 |
| R 4016 | CHIP RES. | 27k | 1/16W | 1% | RMC1/16 273FTP | J24183273 | | 1- | A | D1 |
| R 4017 | CHIP RES. | 470 | 1/16W | 5% | RMC1/16 471JATP | J24185471 | | 1- | A | E3 |
| R 4018 | CHIP RES. | 470 | 1/16W | 5% | RMC1/16 471JATP | J24185471 | | 1- | A | E3 |
| R 4019 | CHIP RES. | 470 | 1/16W | 5% | RMC1/16 471JATP | J24185471 | | 1- | A | E3 |
| R 4020 | CHIP RES. | 470 | 1/16W | 5% | RMC1/16 471JATP | J24185471 | | 1- | A | E3 |
| R 4021 | CHIP RES. | 470 | 1/16W | 5% | RMC1/16 471JATP | J24185471 | | 1- | A | E3 |
| R 4022 | CHIP RES. | 470 | 1/16W | 5% | RMC1/16 471JATP | J24185471 | | 1- | A | E3 |
| R 4023 | CHIP RES. | 470 | 1/16W | 5% | RMC1/16 471JATP | J24185471 | | 1- | A | E3 |
| R 4024 | CHIP RES. | 470 | 1/16W | 5% | RMC1/16 471JATP | J24185471 | | 1- | A | E2 |
| R 4025 | CHIP RES. | 470 | 1/16W | 5% | RMC1/16 471JATP | J24185471 | | 1- | A | E2 |
| R 4026 | CHIP RES. | 470 | 1/16W | 5% | RMC1/16 471JATP | J24185471 | | 1- | A | E2 |
| R 4027 | CHIP RES. | 470 | 1/16W | 5% | RMC1/16 471JATP | J24185471 | | 1- | A | E2 |
| R 4028 | CHIP RES. | 470 | 1/16W | 5% | RMC1/16 471JATP | J24185471 | | 1- | A | E2 |
| R 4029 | CHIP RES. | 47k | 1/16W | 5% | RMC1/16 473JATP | J24185473 | | 1- | A | E2 |
| R 4030 | CHIP RES. | 470 | 1/16W | 5% | RMC1/16 471JATP | J24185471 | | 1- | A | E2 |
| R 4031 | CHIP RES. | 470 | 1/16W | 5% | RMC1/16 471JATP | J24185471 | | 1- | A | E2 |
| R 4032 | CHIP RES. | 10k | 1/16W | 5% | RMC1/16 103JATP | J24185103 | | 1- | A | C2 |
| R 4033 | CHIP RES. | 0 | 1/16W | 5% | RMC1/16 000JATP | J24185000 | | 1- | A | E2 |
| R 4034 | CHIP RES. | 0 | 1/16W | 5% | RMC1/16 000JATP | J24185000 | | 1- | A | E2 |
| R 4035 | CHIP RES. | 47k | 1/16W | 5% | RMC1/16 473JATP | J24185473 | | 1- | A | E2 |
| R 4036 | CHIP RES. | 0 | 1/16W | 5% | RMC1/16 000JATP | J24185000 | | 1- | A | E2 |
| R 4037 | CHIP RES. | 470 | 1/16W | 5% | RMC1/16 471JATP | J24185471 | | 1- | A | E3 |

ALE Unit (Option)

Parts List

| REF. | DESCRIPTION | VALUE | V/W | TOL. | MFR'S DESIG | VXSTD P/N | VERS. | LOT. | SIDE | LAY ADR |
|--------|-------------|-------|-------|------|-----------------|-----------|-------|------|------|---------|
| R 4038 | CHIP RES. | 0 | 1/16W | 5% | RMC1/16 000JATP | J24185000 | | 1- | A | E2 |
| R 4039 | CHIP RES. | 470 | 1/16W | 5% | RMC1/16 471JATP | J24185471 | | 1- | A | E3 |
| R 4041 | CHIP RES. | 470 | 1/16W | 5% | RMC1/16 471JATP | J24185471 | | 1- | A | E3 |
| R 4042 | CHIP RES. | 0 | 1/16W | 5% | RMC1/16 000JATP | J24185000 | | 1- | A | E2 |
| R 4043 | CHIP RES. | 470 | 1/16W | 5% | RMC1/16 471JATP | J24185471 | | 1- | A | E3 |
| R 4044 | CHIP RES. | 0 | 1/16W | 5% | RMC1/16 000JATP | J24185000 | | 1- | A | E2 |
| R 4046 | CHIP RES. | 47k | 1/16W | 5% | RMC1/16 473JATP | J24185473 | | 1- | A | B3 |
| R 4047 | CHIP RES. | 470 | 1/16W | 5% | RMC1/16 471JATP | J24185471 | | 1- | A | E3 |
| R 4048 | CHIP RES. | 0 | 1/16W | 5% | RMC1/16 000JATP | J24185000 | | 1- | A | E2 |
| R 4049 | CHIP RES. | 470 | 1/16W | 5% | RMC1/16 471JATP | J24185471 | | 1- | A | E3 |
| R 4050 | CHIP RES. | 0 | 1/16W | 5% | RMC1/16 000JATP | J24185000 | | 1- | A | E2 |
| R 4051 | CHIP RES. | 470 | 1/16W | 5% | RMC1/16 471JATP | J24185471 | | 1- | A | E3 |
| R 4053 | CHIP RES. | 470 | 1/16W | 5% | RMC1/16 471JATP | J24185471 | | 1- | A | D3 |
| R 4054 | CHIP RES. | 47k | 1/16W | 5% | RMC1/16 473JATP | J24185473 | | 1- | A | D2 |
| R 4055 | CHIP RES. | 470 | 1/16W | 5% | RMC1/16 471JATP | J24185471 | | 1- | A | D3 |
| R 4056 | CHIP RES. | 0 | 1/16W | 5% | RMC1/16 000JATP | J24185000 | | 1- | A | D2 |
| R 4057 | CHIP RES. | 470 | 1/16W | 5% | RMC1/16 471JATP | J24185471 | | 1- | A | D3 |
| R 4058 | CHIP RES. | 0 | 1/16W | 5% | RMC1/16 000JATP | J24185000 | | 1- | A | D2 |
| R 4059 | CHIP RES. | 470 | 1/16W | 5% | RMC1/16 471JATP | J24185471 | | 1- | A | D3 |
| R 4060 | CHIP RES. | 100 | 1/16W | 5% | RMC1/16 101JATP | J24185101 | | 1- | A | C1 |
| R 4062 | CHIP RES. | 47k | 1/16W | 5% | RMC1/16 473JATP | J24185473 | | 1- | A | D2 |
| R 4063 | CHIP RES. | 100 | 1/16W | 5% | RMC1/16 101JATP | J24185101 | | 1- | A | B1 |
| R 4064 | CHIP RES. | 47k | 1/16W | 5% | RMC1/16 473JATP | J24185473 | | 1- | A | D2 |
| R 4068 | CHIP RES. | 470 | 1/16W | 5% | RMC1/16 471JATP | J24185471 | | 1- | A | D2 |
| R 4070 | CHIP RES. | 470 | 1/16W | 5% | RMC1/16 471JATP | J24185471 | | 1- | A | D2 |
| R 4071 | CHIP RES. | 0 | 1/16W | 5% | RMC1/16 000JATP | J24185000 | | 1- | A | C3 |
| R 4074 | CHIP RES. | 560 | 1/10W | 5% | RMC1/10T 561J | J24205561 | | 1- | A | A3 |
| R 4076 | CHIP RES. | 0 | 1/16W | 5% | RMC1/16 000JATP | J24185000 | | 1- | A | D2 |
| R 4078 | CHIP RES. | 0 | 1/16W | 5% | RMC1/16 000JATP | J24185000 | | 1- | A | D2 |
| R 4079 | CHIP RES. | 0 | 1/16W | 5% | RMC1/16 000JATP | J24185000 | | 1- | A | D3 |
| R 4080 | CHIP RES. | 470 | 1/16W | 5% | RMC1/16 471JATP | J24185471 | | 1- | A | D3 |
| R 4081 | CHIP RES. | 47k | 1/16W | 5% | RMC1/16 473JATP | J24185473 | | 1- | A | D3 |
| R 4082 | CHIP RES. | 1.2k | 1/16W | 5% | RMC1/16 122JATP | J24185122 | | 1- | A | D3 |
| R 4083 | CHIP RES. | 47k | 1/16W | 5% | RMC1/16 473JATP | J24185473 | | 1- | A | D3 |
| R 4084 | CHIP RES. | 470 | 1/16W | 5% | RMC1/16 471JATP | J24185471 | | 1- | A | D3 |
| R 4085 | CHIP RES. | 47k | 1/16W | 5% | RMC1/16 473JATP | J24185473 | | 1- | A | D2 |
| R 4086 | CHIP RES. | 47k | 1/16W | 5% | RMC1/16 473JATP | J24185473 | | 1- | A | D2 |
| R 4087 | CHIP RES. | 470 | 1/16W | 5% | RMC1/16 471JATP | J24185471 | | 1- | A | D2 |
| R 4088 | CHIP RES. | 47k | 1/16W | 5% | RMC1/16 473JATP | J24185473 | | 1- | A | D2 |
| R 4089 | CHIP RES. | 47k | 1/16W | 5% | RMC1/16 473JATP | J24185473 | | 1- | A | D2 |
| R 4090 | CHIP RES. | 47k | 1/16W | 5% | RMC1/16 473JATP | J24185473 | | 1- | A | D2 |
| R 4091 | CHIP RES. | 47k | 1/16W | 5% | RMC1/16 473JATP | J24185473 | | 1- | A | D2 |
| R 4092 | CHIP RES. | 47k | 1/16W | 5% | RMC1/16 473JATP | J24185473 | | 1- | A | D2 |
| R 4093 | CHIP RES. | 470 | 1/16W | 5% | RMC1/16 471JATP | J24185471 | | 1- | A | D2 |
| R 4094 | CHIP RES. | 0 | 1/16W | 5% | RMC1/16 000JATP | J24185000 | | 1- | A | D2 |
| R 4095 | CHIP RES. | 47k | 1/16W | 5% | RMC1/16 473JATP | J24185473 | | 1- | A | D2 |
| R 4096 | CHIP RES. | 47k | 1/16W | 5% | RMC1/16 473JATP | J24185473 | | 1- | A | D2 |
| R 4097 | CHIP RES. | 0 | 1/16W | 5% | RMC1/16 000JATP | J24185000 | | 1- | A | D2 |
| R 4098 | CHIP RES. | 1k | 1/16W | 5% | RMC1/16 102JATP | J24185102 | | 1- | A | A3 |
| R 4099 | CHIP RES. | 4.7k | 1/16W | 5% | RMC1/16 472JATP | J24185472 | | 1- | A | B2 |
| R 4100 | CHIP RES. | 3.3k | 1/16W | 5% | RMC1/16 332JATP | J24185332 | | 1- | A | C2 |
| R 4101 | CHIP RES. | 47k | 1/16W | 5% | RMC1/16 473JATP | J24185473 | | 1- | A | C2 |
| R 4102 | CHIP RES. | 100k | 1/16W | 5% | RMC1/16 104JATP | J24185104 | | 1- | A | C2 |
| R 4103 | CHIP RES. | 100k | 1/16W | 5% | RMC1/16 104JATP | J24185104 | | 1- | A | C3 |
| R 4104 | CHIP RES. | 100k | 1/16W | 5% | RMC1/16 104JATP | J24185104 | | 1- | A | C3 |
| R 4105 | CHIP RES. | 100 | 1/16W | 5% | RMC1/16 101JATP | J24185101 | | 1- | A | B2 |
| R 4106 | CHIP RES. | 33k | 1/16W | 5% | RMC1/16 333JATP | J24185333 | | 1- | A | C3 |
| R 4107 | CHIP RES. | 33k | 1/16W | 5% | RMC1/16 333JATP | J24185333 | | 1- | A | C2 |
| R 4108 | CHIP RES. | 22k | 1/16W | 5% | RMC1/16 223JATP | J24185223 | | 1- | A | B2 |

ALE Unit (Option)

Parts List

| REF. | DESCRIPTION | VALUE | V/W | TOL. | MFR'S DESIG | VXSTD P/N | VERS. | LOT. | SIDE | LAY ADR |
|--------|--------------|---------|-------|------|--------------------|-----------|-------|------|------|---------|
| R 4109 | CHIP RES. | 33k | 1/16W | 5% | RMC1/16 333JATP | J24185333 | | 1- | A | C3 |
| R 4110 | CHIP RES. | 10k | 1/16W | 5% | RMC1/16 103JATP | J24185103 | | 1- | A | B2 |
| R 4111 | CHIP RES. | 33k | 1/16W | 5% | RMC1/16 333JATP | J24185333 | | 1- | A | C2 |
| R 4112 | CHIP RES. | 0 | 1/16W | 5% | RMC1/16 000JATP | J24185000 | | 1- | A | C2 |
| R 4113 | CHIP RES. | 2.2k | 1/16W | 5% | RMC1/16 222JATP | J24185222 | | 1- | A | B2 |
| R 4114 | CHIP RES. | 330 | 1/4W | 5% | RMC1/4 331JATP | J24245331 | | 1- | A | B2 |
| R 4117 | CHIP RES. | 33k | 1/16W | 5% | RMC1/16 333JATP | J24185333 | | 1- | A | C3 |
| R 4118 | CHIP RES. | 4.7k | 1/16W | 5% | RMC1/16 472JATP | J24185472 | | 1- | A | B2 |
| R 4119 | CHIP RES. | 270 | 1/16W | 1% | RMC1/16 271FTP | J24183271 | | 1- | A | B2 |
| R 4120 | CHIP RES. | 33k | 1/16W | 5% | RMC1/16 333JATP | J24185333 | | 1- | A | C3 |
| R 4121 | CHIP RES. | 4.7k | 1/16W | 5% | RMC1/16 472JATP | J24185472 | | 1- | A | C3 |
| R 4123 | CHIP RES. | 1M | 1/16W | 5% | RMC1/16 105JATP | J24185105 | | 1- | A | E1 |
| R 4126 | CHIP RES. | 0 | 1/16W | 5% | RMC1/16 000JATP | J24185000 | | 1- | A | D1 |
| R 4127 | CHIP RES. | 47k | 1/16W | 5% | RMC1/16 473JATP | J24185473 | | 1- | A | C2 |
| R 4128 | CHIP RES. | 0 | 1/10W | 5% | RMC1/10T 000J | J24205000 | | 1- | A | C1 |
| S 4001 | TACT SWITCH | | | | SKQDAA | N5090051 | | 1- | A | D3 |
| S 4002 | SLIDE SWITCH | | | | SSSS820201 | N6090107 | | 1- | A | A3 |
| S 4003 | SLIDE SWITCH | | | | SSSS820201 | N6090107 | | 1- | A | A3 |
| VR4001 | POT. | 10k | | | PVG5A103A01R00 | J51832103 | | 1- | A | E1 |
| X 4001 | XTAL OSC | 16.8MHz | | | TTS05VS-P2 16.8MHZ | H9500760 | | 1- | A | E1 |