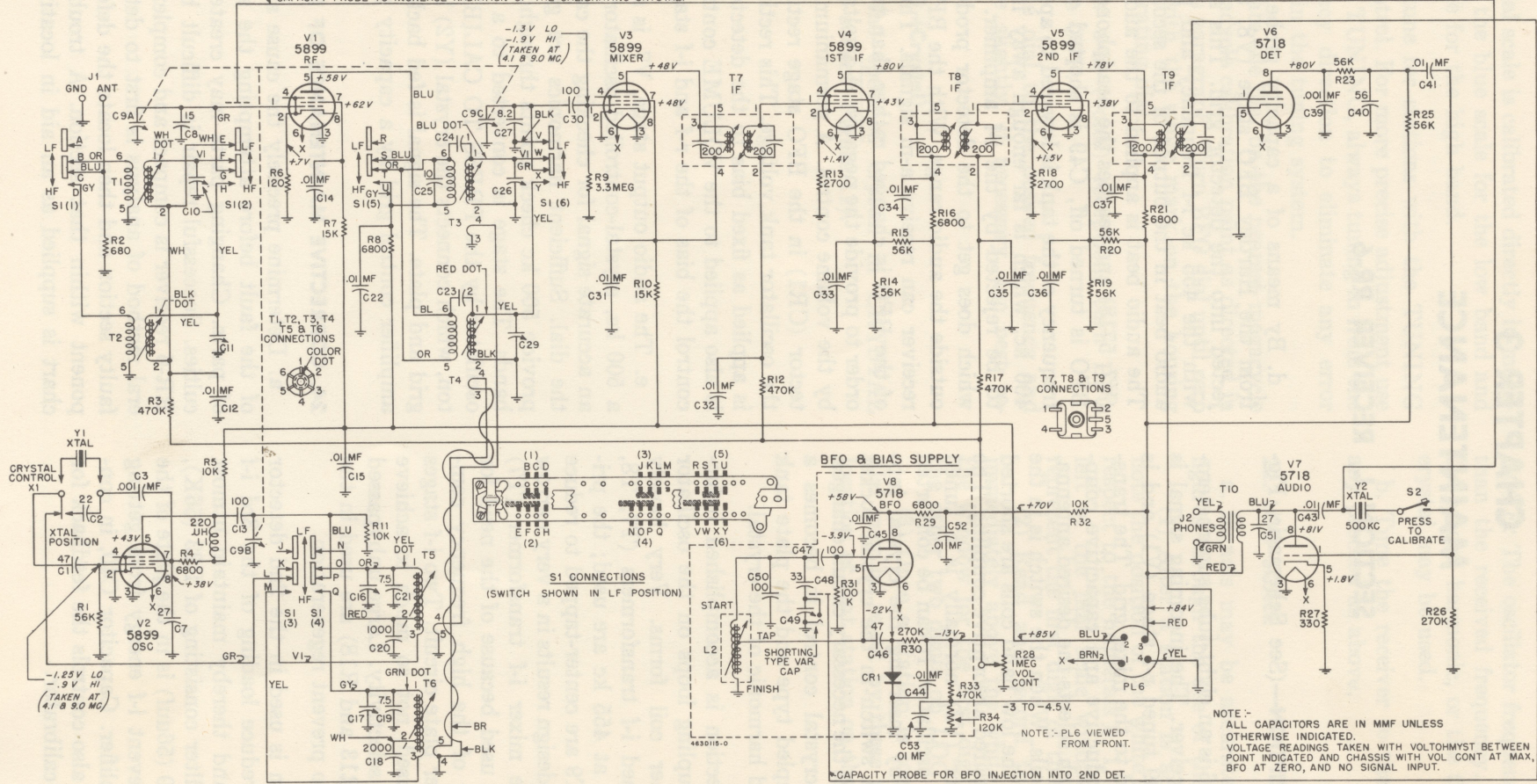


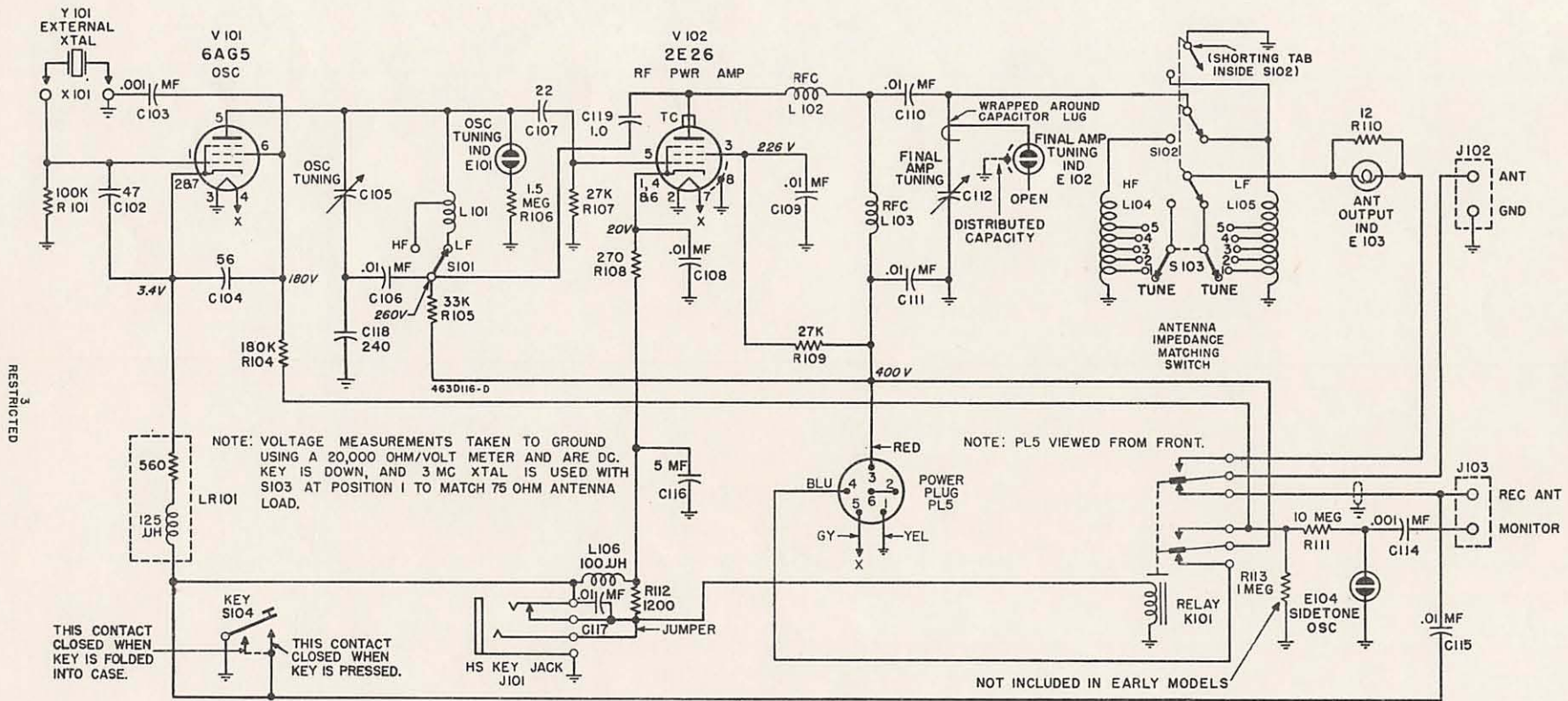
← CAPACITY PROBE TO INCREASE RADIATION OF THE CALIBRATING CRYSTAL.



NOTE: RESISTORS ARE IN OHMS UNLESS OTHERWISE SPECIFIED.

NOTE: ALL CAPACITORS ARE IN MMF UNLESS OTHERWISE INDICATED. VOLTAGE READINGS TAKEN WITH VOLTOHMYST BETWEEN POINT INDICATED AND CHASSIS WITH VOL CONT AT MAX, BFO AT ZERO, AND NO SIGNAL INPUT.

← CAPACITY PROBE FOR BFO INJECTION INTO 2ND DET.



NOTE: RESISTORS ARE IN OHMS UNLESS OTHERWISE SPECIFIED. CAPACITORS ARE IN MMF UNLESS OTHERWISE SPECIFIED.

FIGURE 18. TRANSMITTER RT-6 SCHEMATIC DIAGRAM

RESTRICTED

RESTRICTED