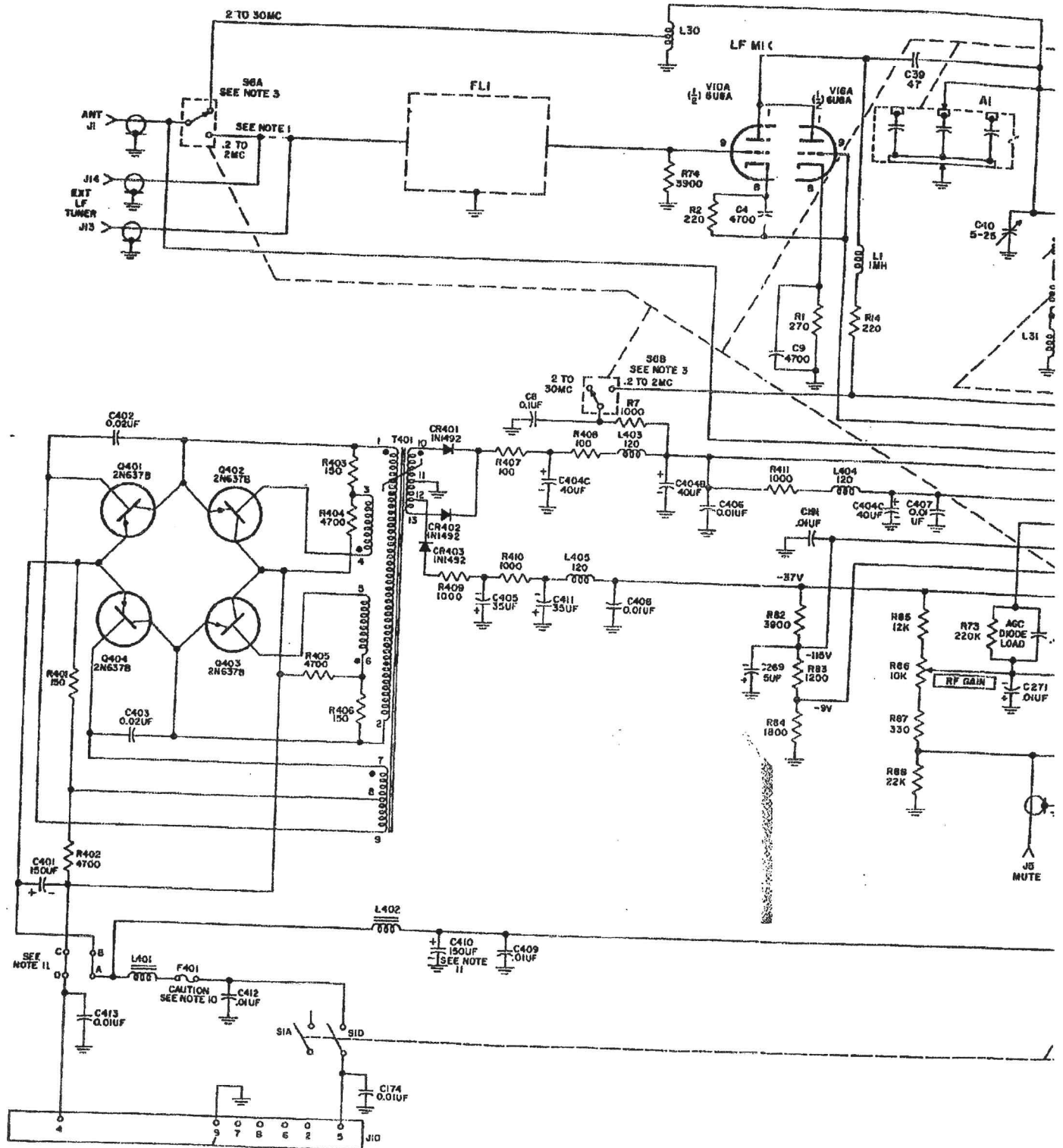
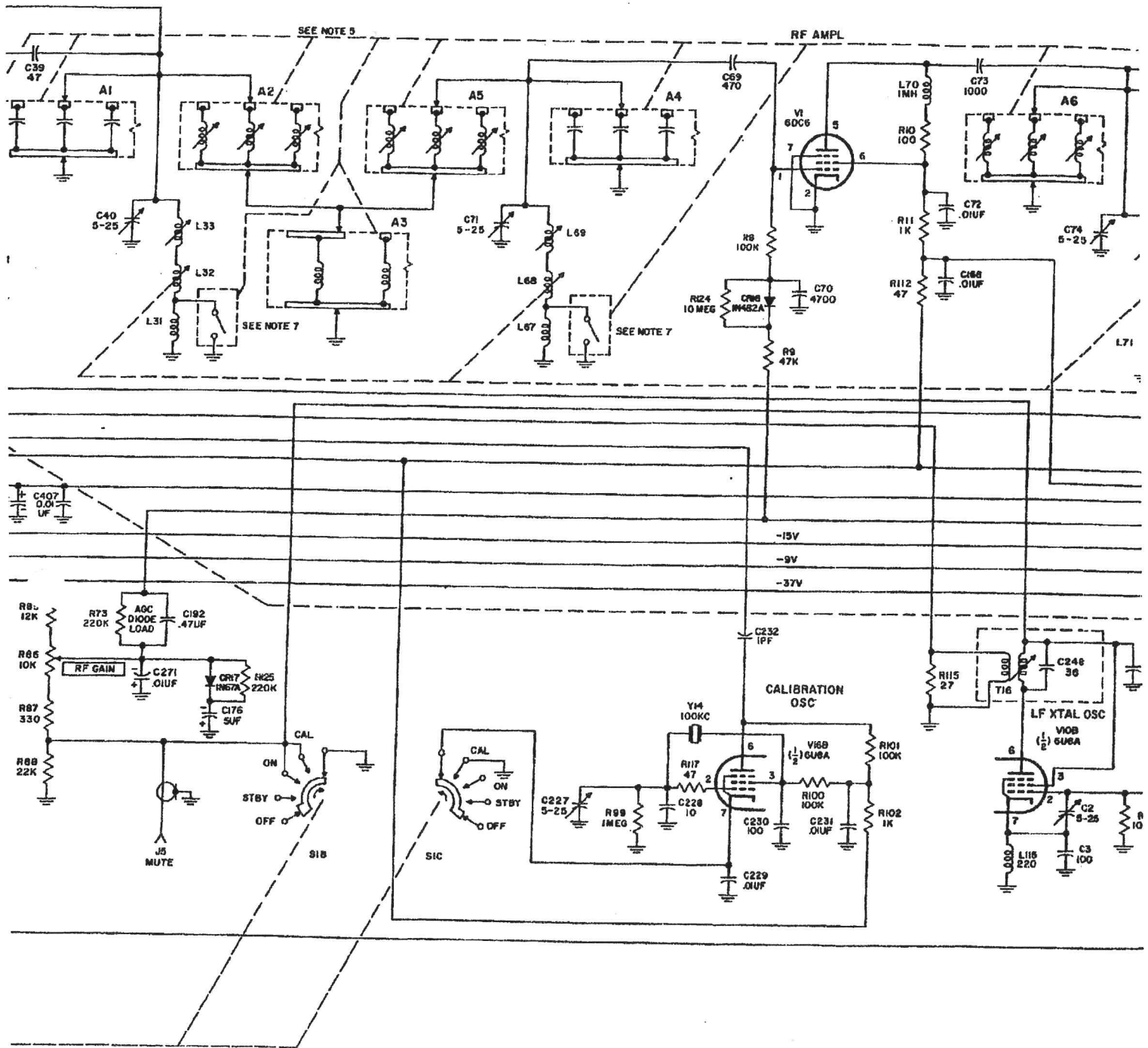


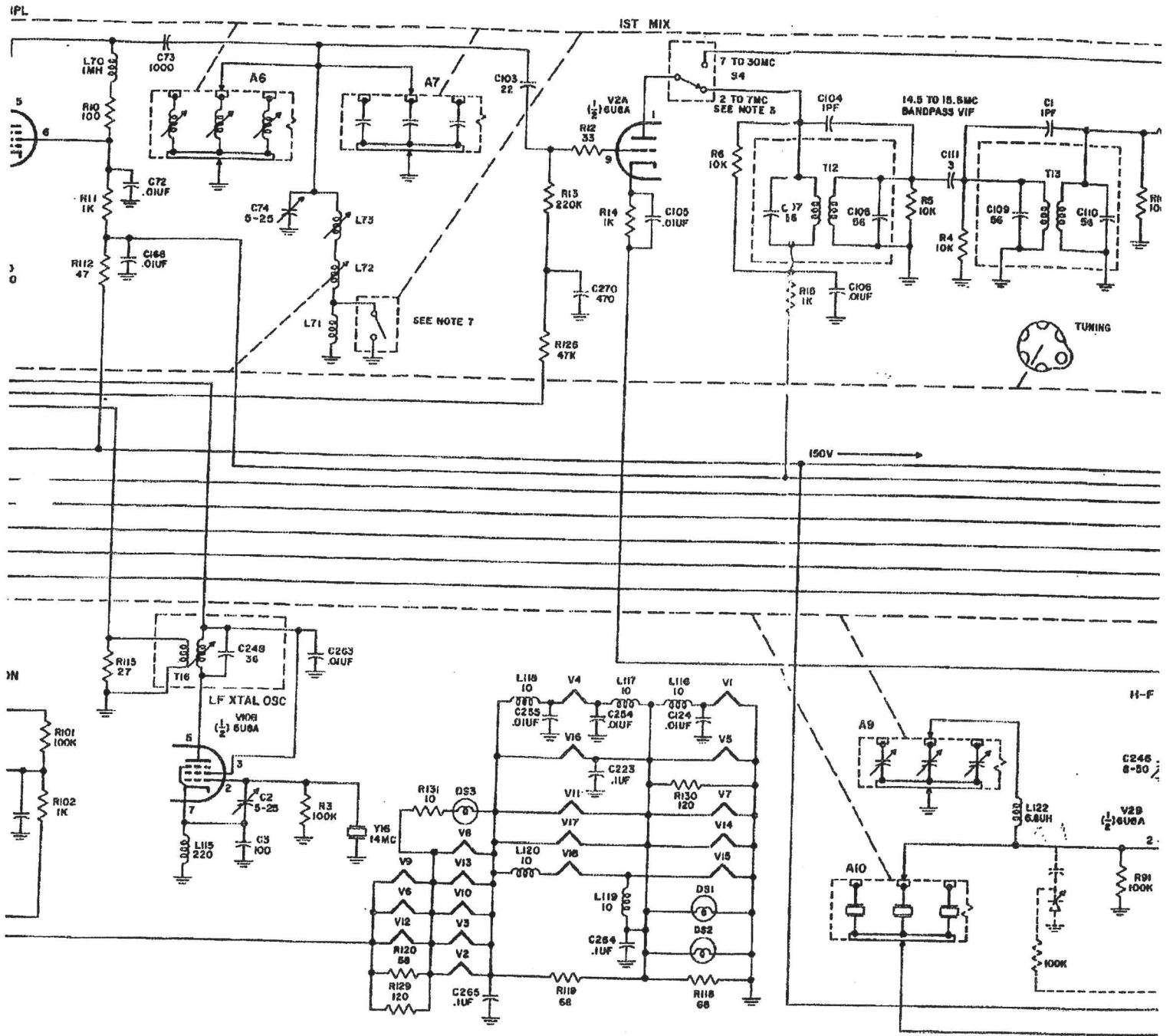
NOTES:

1. JUMPER REMOVED WHEN USING EXTERNAL LOW FREQUENCY TUNER.
2. TURRET IS IN 2MC POSITION.
3. L32, L68 AND L72 ARE MECHANICALLY COUPLED TO TUNING KNOB.

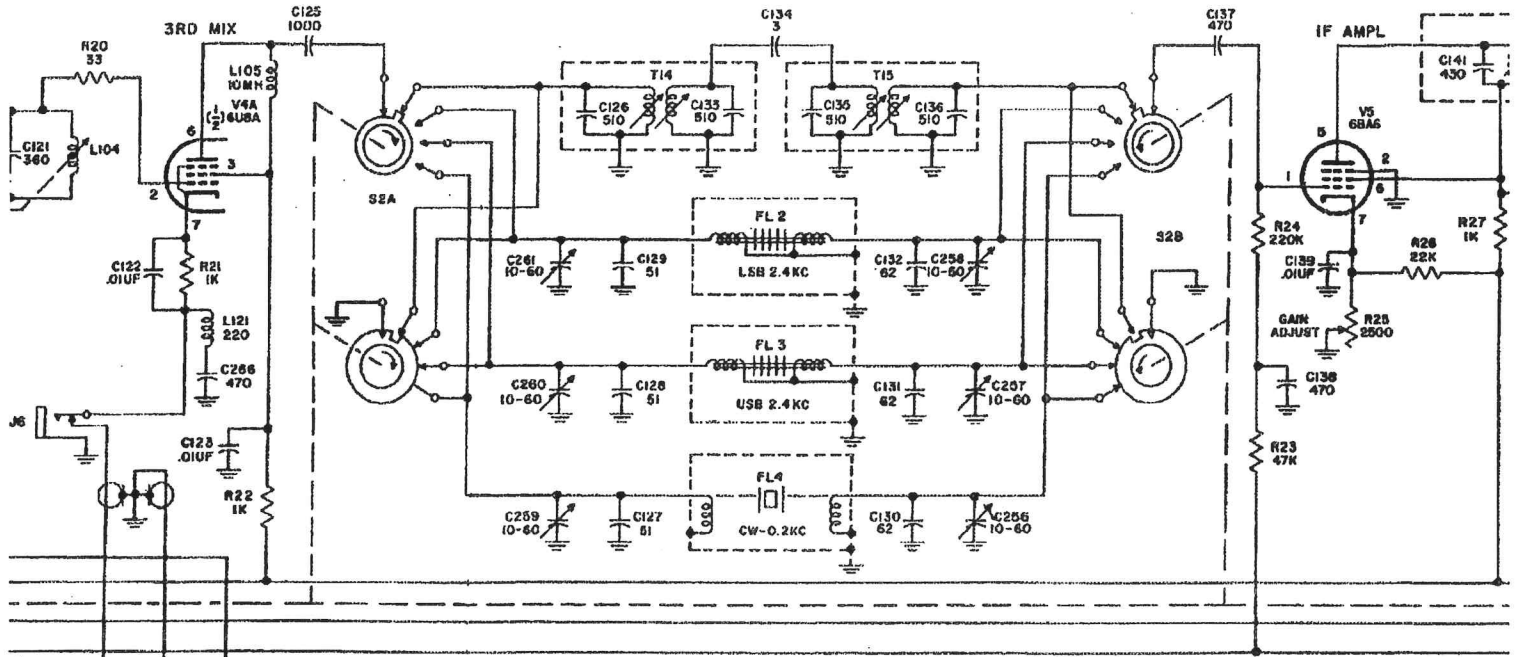
Figure 7-3. Turret and R-F Section, Schematic Diagram



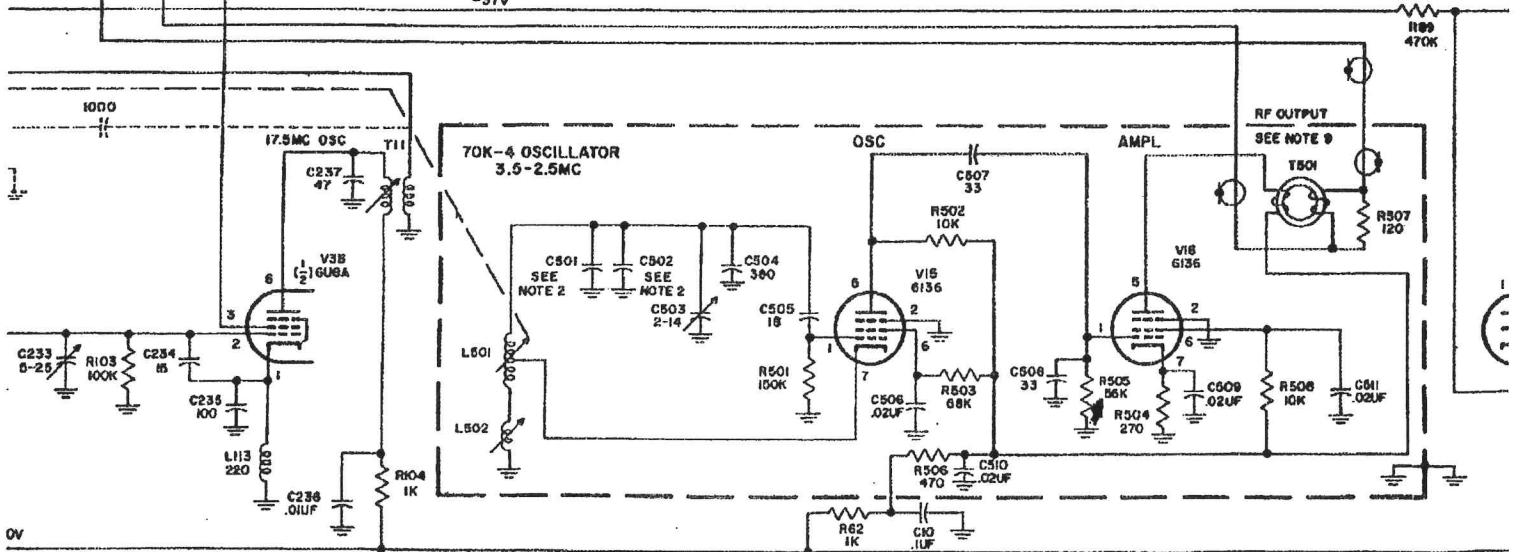






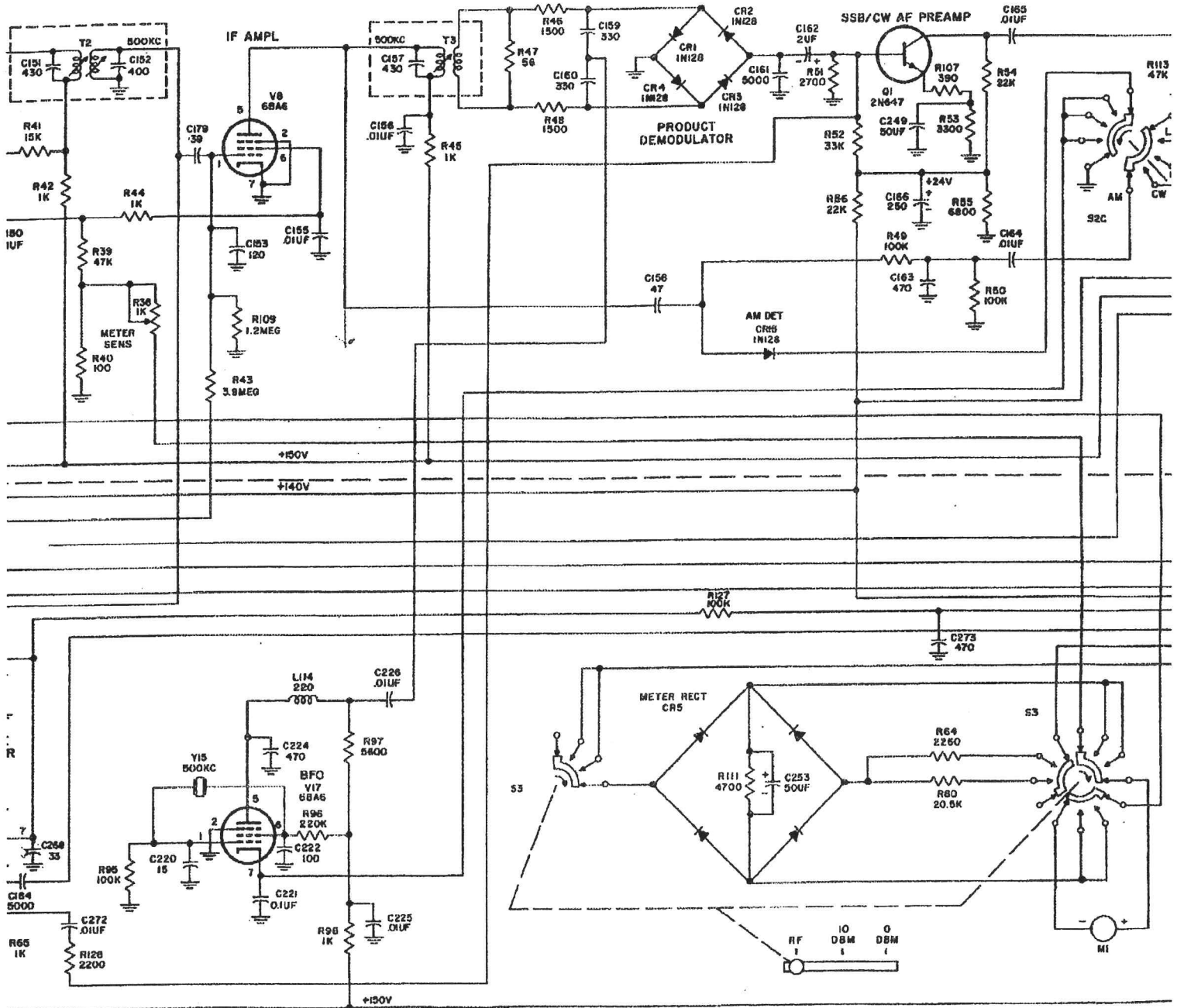


-37V



0V





SECTION VII  
Illustrations

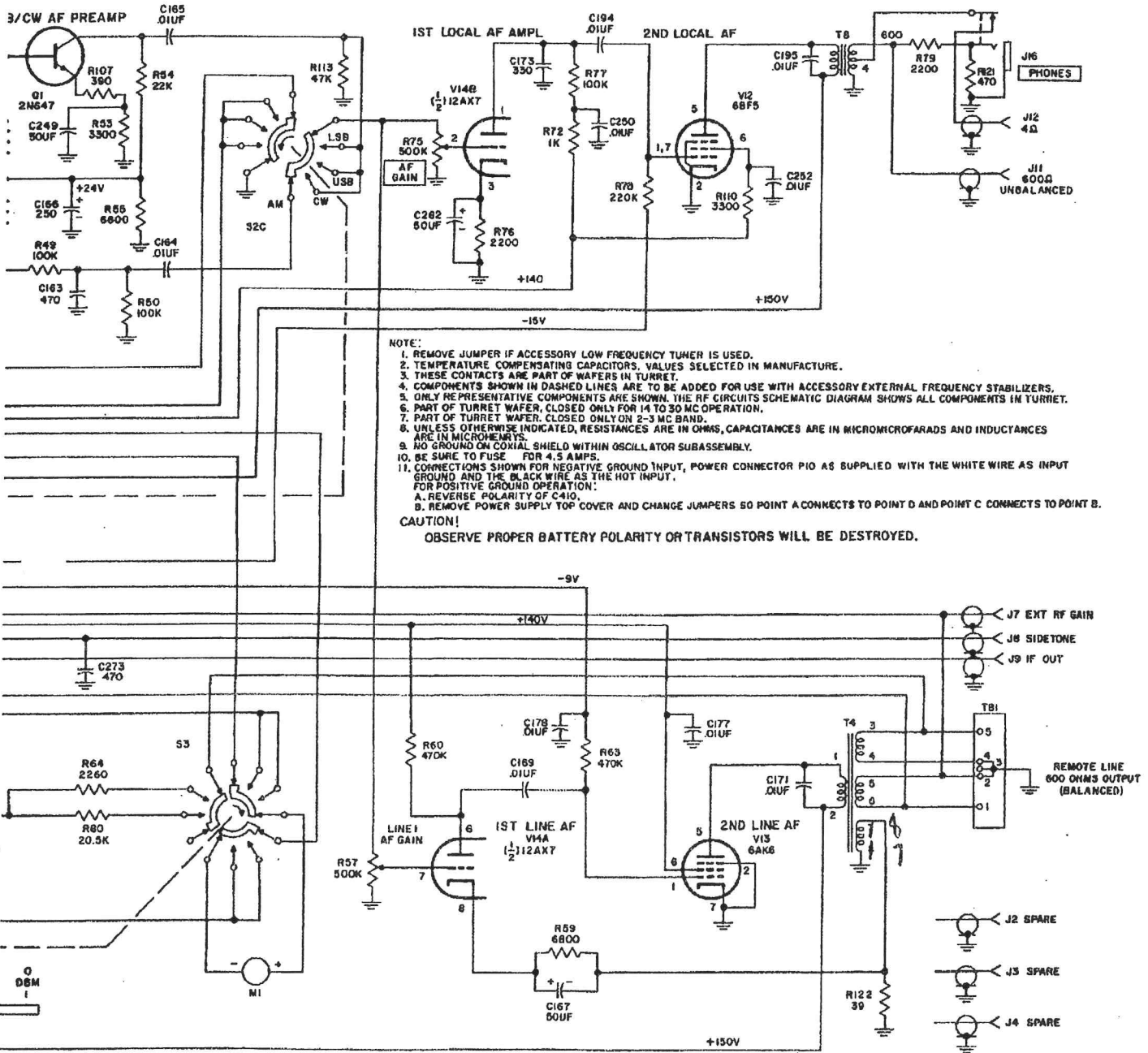


Figure 7-2. 51S-1A Receiver, Schematic Diagram